

DETECTO®



Model 6495 Digital Low-Profile Wheelchair Scale Setup Procedure

SCALE ASSEMBLY INSTRUCTIONS

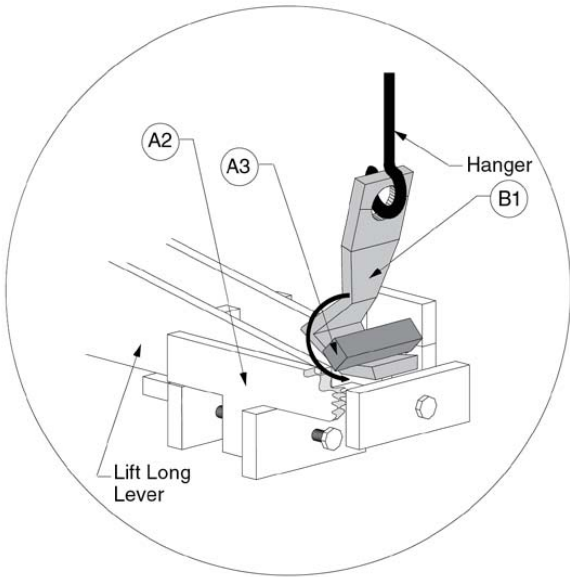


Figure No. 2

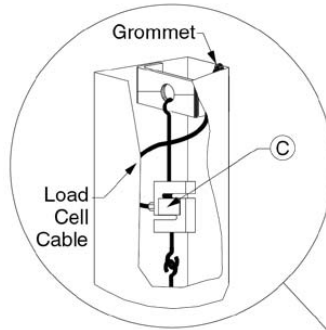


Figure No. 3

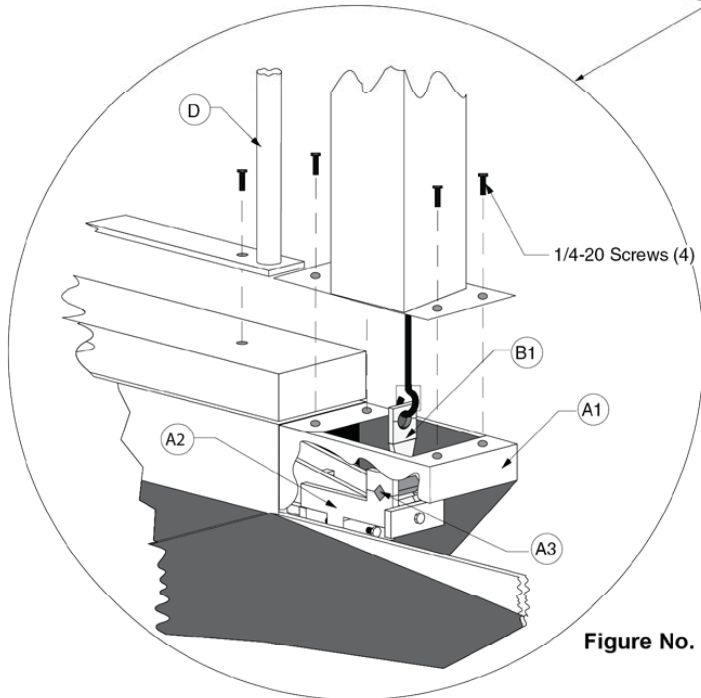
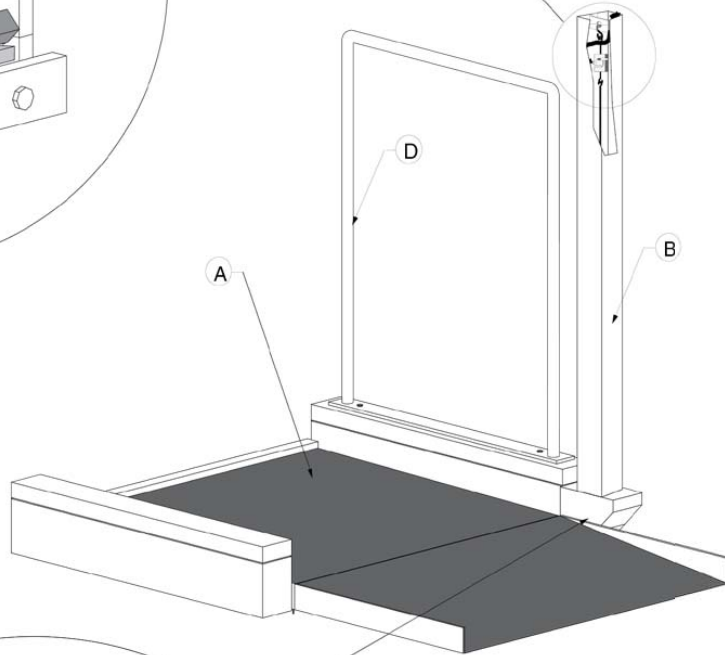


Figure No. 1

SCALE ASSEMBLY INSTRUCTIONS, CONT.

Refer to Figures No. 1, 2, 3, and 4, and then follow the instructions below for scale assembly.

1. Remove the scale from its packing and inspect it for signs of shipping damage. *Keep and use the original carton and packing material for return shipment if it should become necessary.* Note that it is the responsibility of the purchaser to file all claims for any damage or losses incurred during transit.
2. Set the scale base on a flat, level surface. Slide ramp pins in T-Slot on the base, and drop the pins into the groove.
3. Remove the four (4) 1/4-20 screws from the column bracket (A1) and set aside.
4. Set column (B) onto the column bracket (A1). See Figure No.1. Be sure the back (wide side) of the column is facing the scale deck. Secure the column with the four (4) 1/4-20 screws removed in step 3. Do not tighten the screws at this time.
5. Hook end of shock absorber and draft rod assembly to one end of the load cell assembly (C). See Figure No. 3. **NOTE:** Handle load cell assembly with care! Do not drop, bend, or twist.
6. Slide the grommet away from the load cell assembly and slide into the slot on the column. Note: Slot should be on the back of the column (wide side).
7. Lower the load cell assembly, shock absorber, and draft rod assembly into the column. The hanger must pass through the opening in the column bracket. Note: Position of hanger (B1).
8. Fasten the top hook bolt of the load cell assembly (C) to the column (B). (Note: Load cell assembly should not touch sides of the column.)
9. If available, place the scale on a table or workbench, otherwise place the scale on the floor. In either case, **DO NOT** tilt or place the scale on its side. Next, push the bottom of the hanger (B1) back towards scale weighbridge (A), lift the long lever and nose iron (A2) up, then slide the hanger (B1) under the nose iron pivot (A3). See Figure No. 2. After the hanger is attached, tighten the four (4) 1/4-20 screws. See Figure No. 1 for column (B) mounting.
10. Pull excess load cell cable in the column leaving enough slack in the cable so as not to have any side pull on the load cell.
11. Attach digital indicator and mounting bracket to the column with two (2) #10-32 button head screws and lock washers. See Figure No. 4.
12. To attach handrail (D), remove two (2) 3/8-16 screws from the top of the weighbridge side. Set handrail on weighbridge side, align holes, reinstall the two (2) 3/8-16 screws and tighten.
13. Check the scale platform for ease of movement. If the platform does not move freely, check all mechanical connections.
14. Refer to the included indicator manual, for indicator setup and operating instructions.
15. The scale is now ready for operation.

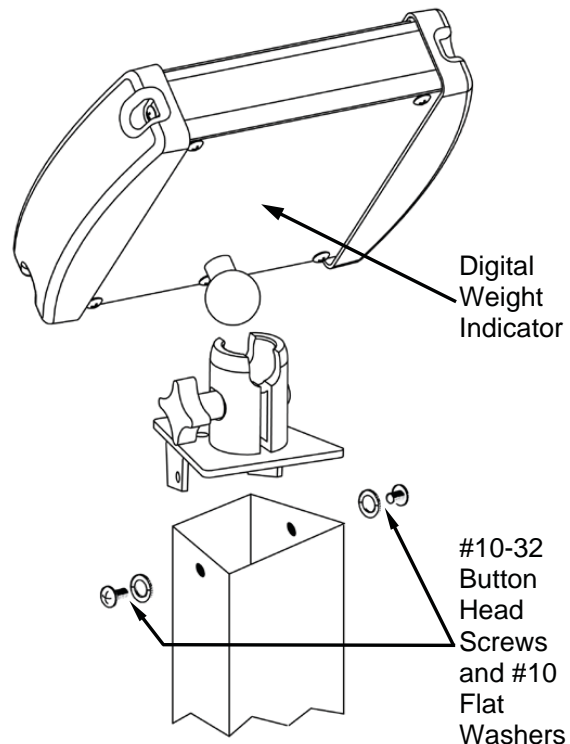


Figure No. 4



DETECTO

102 E. Daugherty, Webb City, MO 64870 USA

Ph: 417-673-4631 or 1-800-641-2008

Fax: 417-673-2153

www.Detecto.com

Technical Support: 1-866-254-8261

E-mail: tech@cardet.com

Printed in USA

0066-M193-O1 Rev K 09/20