

# Assembly Instructions for Detecto SPBT-1728, Stainless Steel Portable Baby Scale Table

Thank you for purchasing our Detecto Stainless Steel Portable Baby Scale Table. The following instructions will guide you through assembly of your table.



**WARNING!** This product is not intended for use in transporting patients! It is to be used **ONLY** for weighing purposes. Failure to observe this warning may result in serious injury to the patient and/or the operator.

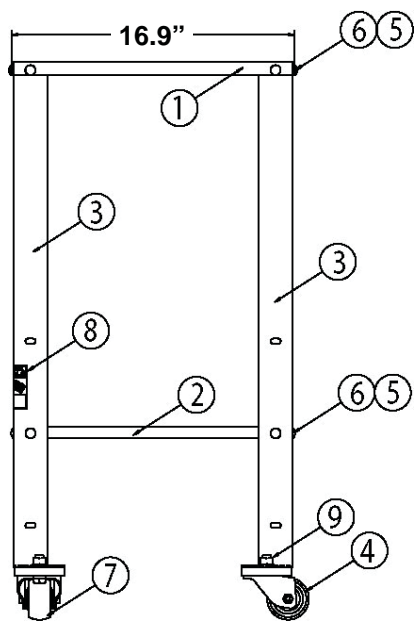
## PARTS LIST

Note that the item numbers in the instructions are the same as the parts list numbers.

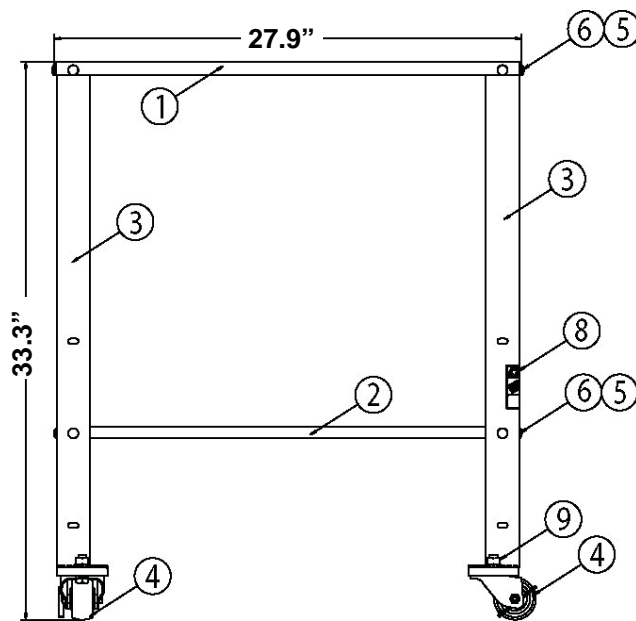
ITEM NO.	QTY	PART NUMBER	DESCRIPTION
1	1	0904-D051-08	TABLE TOP
2	1	0904-D052-08	SHELF
3	4	0904-C053-0A	LEG ASSEMBLY
4	2	6540-1211	CASTER, SWIVEL W/BRAKE
5	16	6007-4100	CARRIAGE HEAD BOLT
6	16	6013-0421	1/4-20 S.S. ACORN NUT
7	2	6540-1210	CASTER, SWIVEL
8	2	0046-B268-08	WARNING LABEL FOR TRANSPORT
9	4	6013-0020	NUT, 3/8"-16 ELASTIC STYLE, S.S.

## TOOLS NEEDED

7/16" open end, box end, or combination wrench



End View



Side View

# ASSEMBLY



**IMPORTANT! Please read through instructions carefully before starting to assemble. Remove all parts and hardware from carton. Only finger-tighten bolts and nuts until entire assembly is completed.**

1. Remove all packing material and contents of the carton.
2. Peel the protective plastic back on each item far enough to expose the bolt holes. In order to protect the finish of the table, it is recommended to leave the remainder of the protective plastic on, until the table is completely assembled.
3. Referring to the Side View, place two LEG ASSEMBLY ③ on a flat level surface, such as a table or bench.
4. Next place SHELF ② on the inside of LEG ASSEMBLY ③ and position at the desired height (one of the three holes).
5. Align hole in SHELF ② with hole in one LEG ASSEMBLY ③. With bolt head on outside and nut on inside, insert CARRIAGE HEAD BOLT ⑤ through side holes and secure with 1/4-20 S.S. ACORN NUT ⑥. Finger-tighten only! Repeat for other LEG ASSEMBLY ③.
6. Now place TABLE TOP ① on the inside of LEG ASSEMBLY ③.
7. Align hole in TABLE TOP ① with hole in one LEG ASSEMBLY ③. With bolt head on outside and nut on inside, insert CARRIAGE HEAD BOLT ⑤ through side holes and secure with 1/4-20 S.S. ACORN NUT ⑥. Finger-tighten only! Repeat for other LEG ASSEMBLY ③.
8. Place remaining two LEG ASSEMBLY ③ on each end of SHELF ② and TABLE TOP ①.
9. Align hole in SHELF ② with hole in one LEG ASSEMBLY ③. With bolt head on outside and nut on inside, insert CARRIAGE HEAD BOLT ⑤ through side holes and secure with 1/4-20 S.S. ACORN NUT ⑥. Finger-tighten only! Repeat for other LEG ASSEMBLY ③.
10. Align hole in TABLE TOP ① with hole in one LEG ASSEMBLY ③. With bolt head on outside and nut on inside, insert CARRIAGE HEAD BOLT ⑤ through side holes and secure with 1/4-20 S.S. ACORN NUT ⑥. Finger-tighten only! Repeat for other LEG ASSEMBLY ③.
11. Referring to the End View, rotate the table on its end.
12. With bolt head on outside and nut on inside, insert CARRIAGE HEAD BOLT ⑤ through the four remaining holes in SHELF ② and secure with 1/4-20 S.S. ACORN NUT ⑥. Finger-tighten only!
13. With bolt head on outside and nut on inside, insert CARRIAGE HEAD BOLT ⑤ through the four remaining holes in TABLE TOP ① and secure with 1/4-20 S.S. ACORN NUT ⑥. Finger-tighten only!
14. Using the 7/16" wrench, tighten each 1/4-20 S.S. ACORN NUT ⑥ securely.
15. Remove the remainder of the protective plastic on the table before using.



*DETECTO*

*102 E. Daugherty, Webb City, MO 64870 USA*

*Ph: 417-673-4631 or 1-800-641-2008*

*Fax: 417-673-2153*

*www.Detecto.com*

*Technical Support: 1-866-254-8261*

*E-mail: tech@cardet.com*