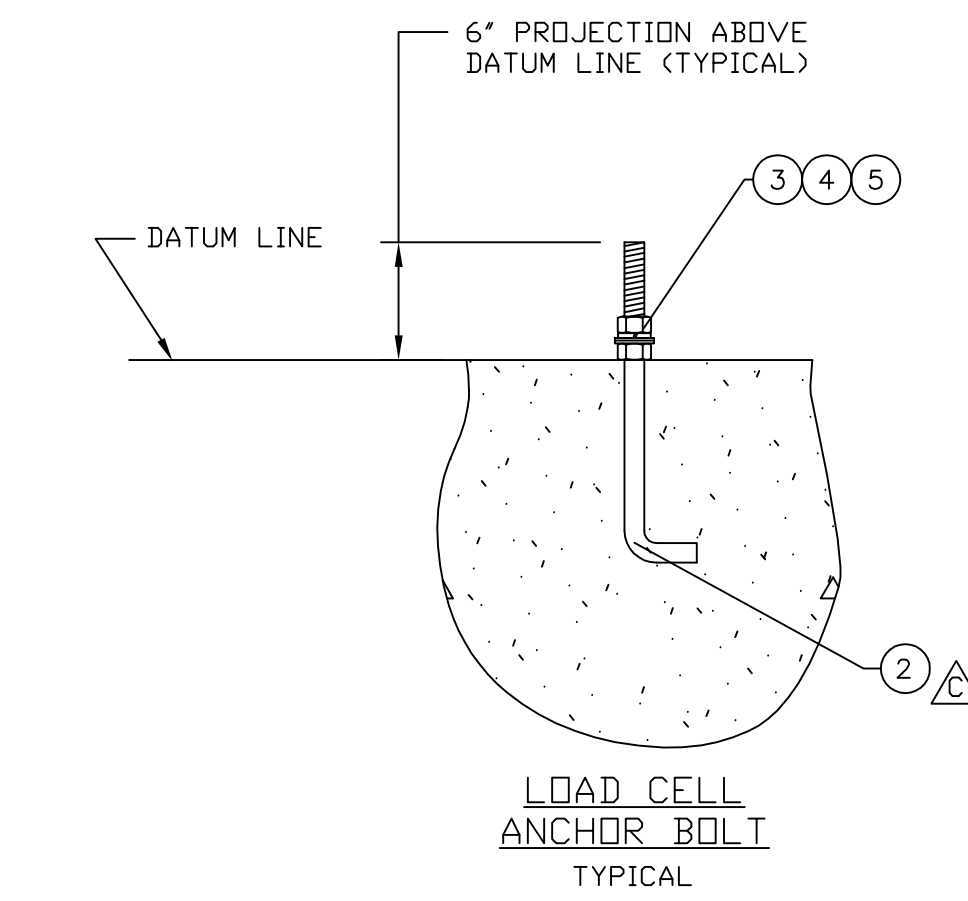
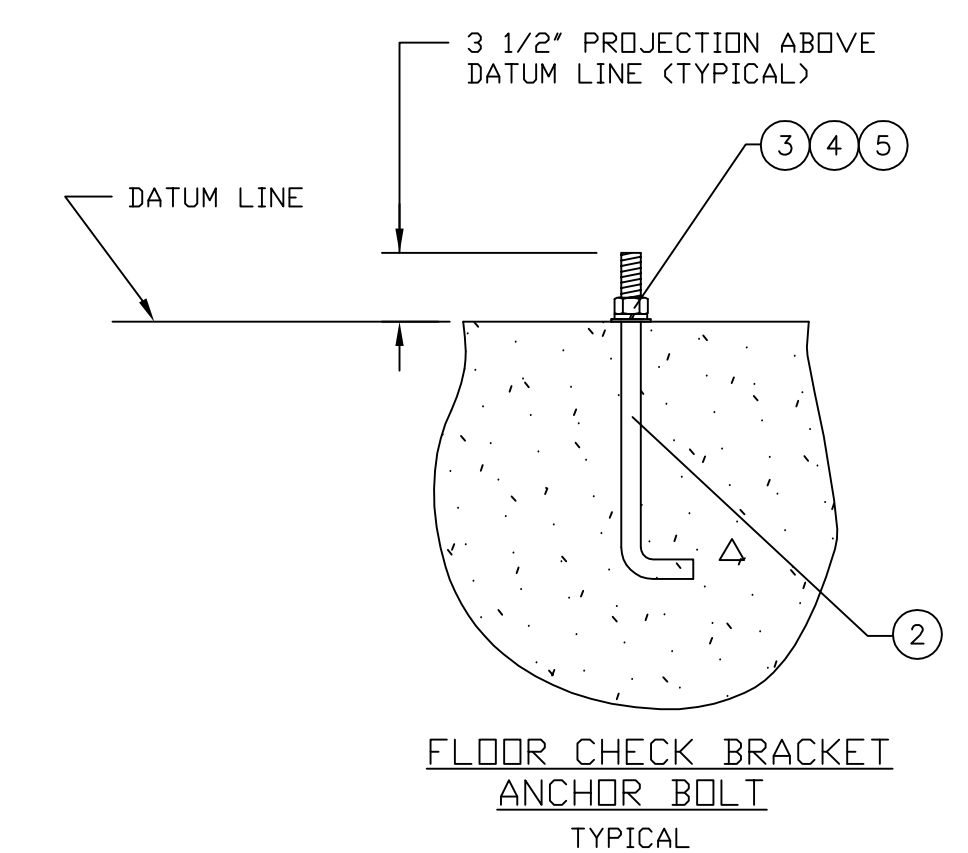
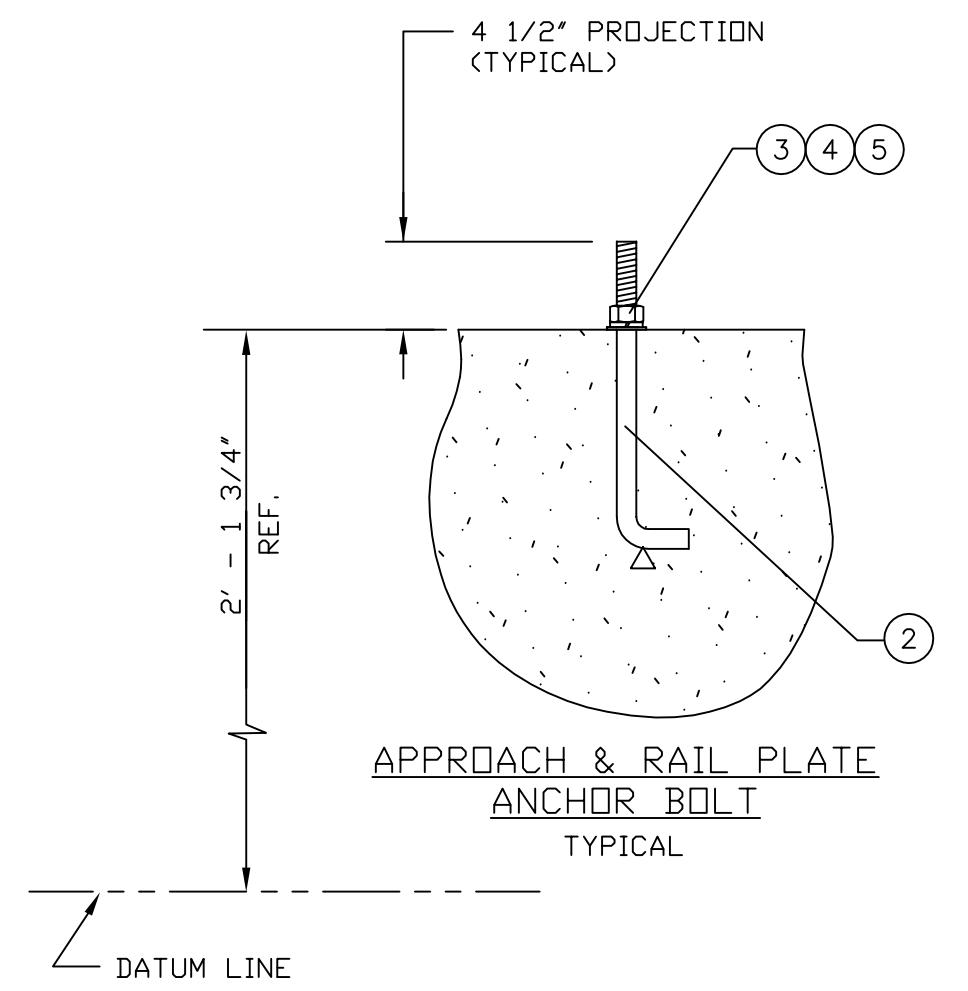
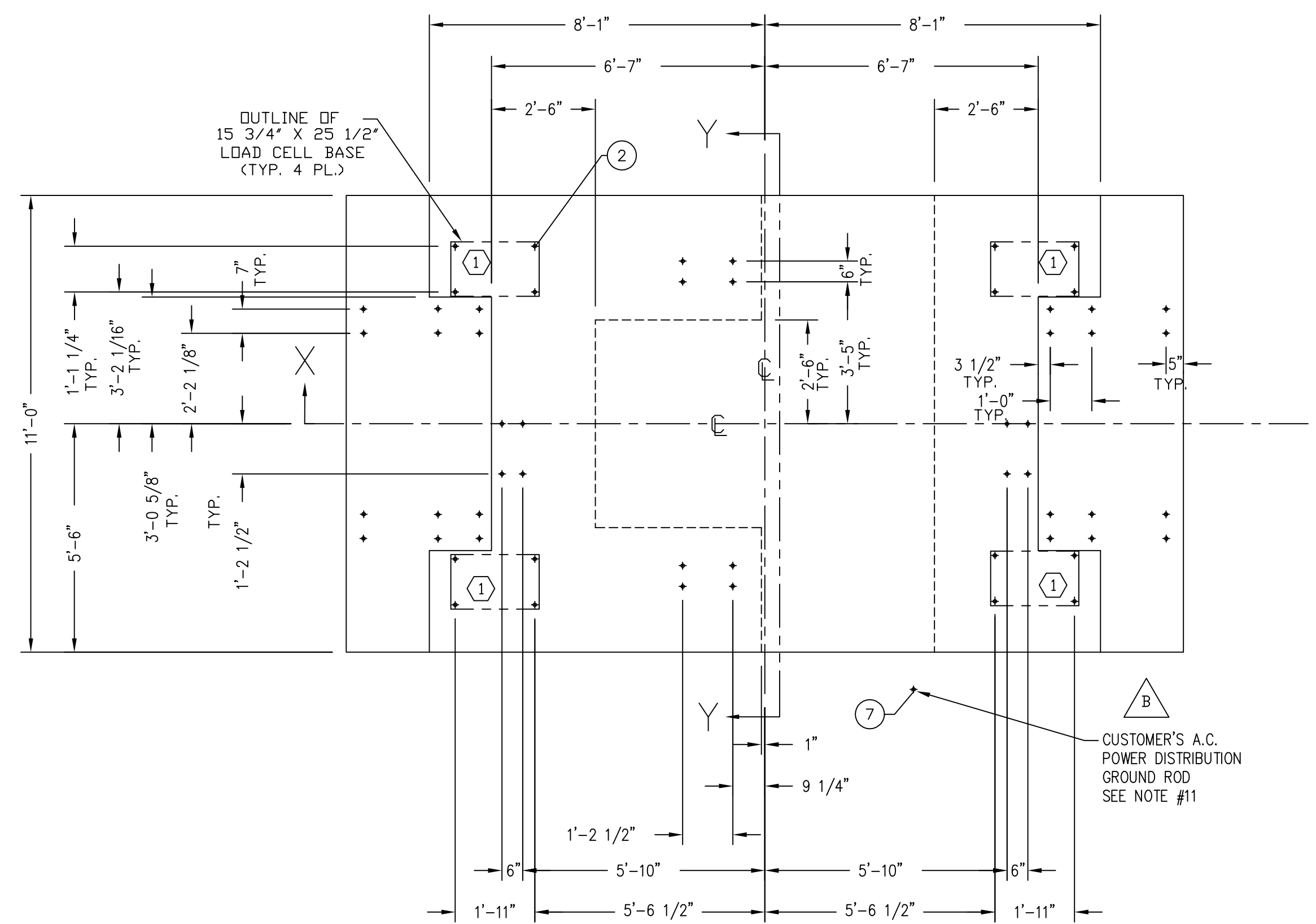
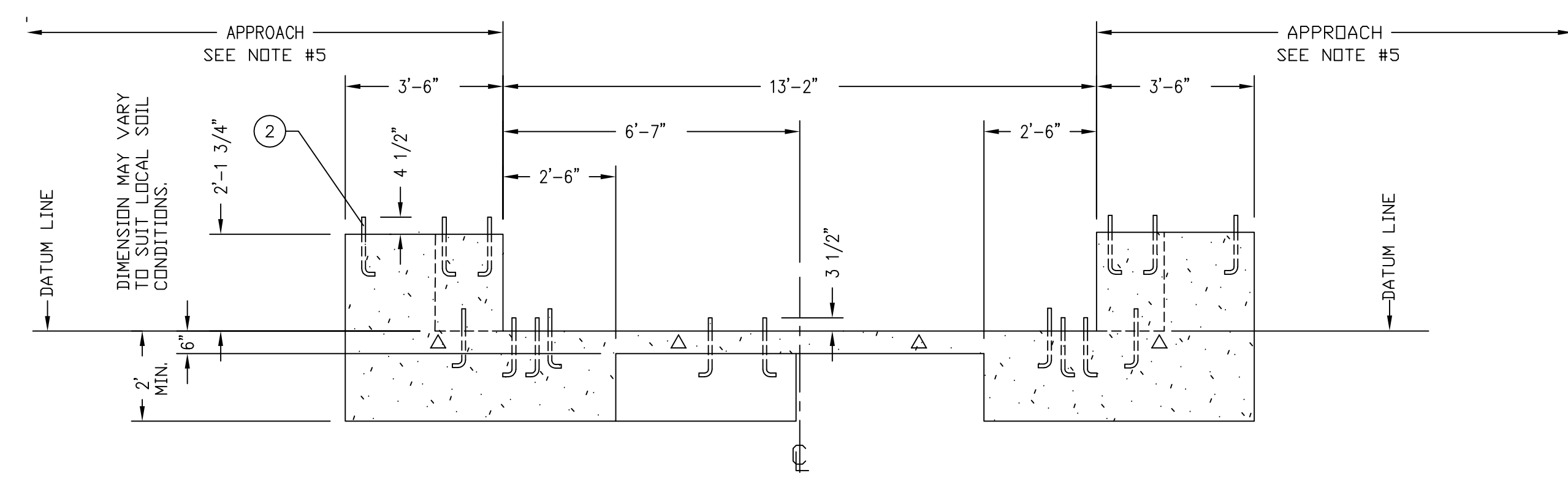


REVISION RECORD			
LTR	DESCRIPTION	DATE	BY
A	RELEASED FOR PRODUCTION ECO: #16226	7/1/98	MLS/ONM
B	SHOW GROUND ROD LOCATED OFF THE FOUNDATION TO INDICATE USING THE CUSTOMER'S A.C. POWER DISTRIBUTION GROUND ROD.	3/24/06	23438 JAT/SC
C	ALL ANCHOR BOLTS NOW 15" LONG; DELETE ITEM 1 ANCHOR BOLT 0849-B092-08 ITEM 2 QUANTITY WAS 40	1/17/13	21256 JAT



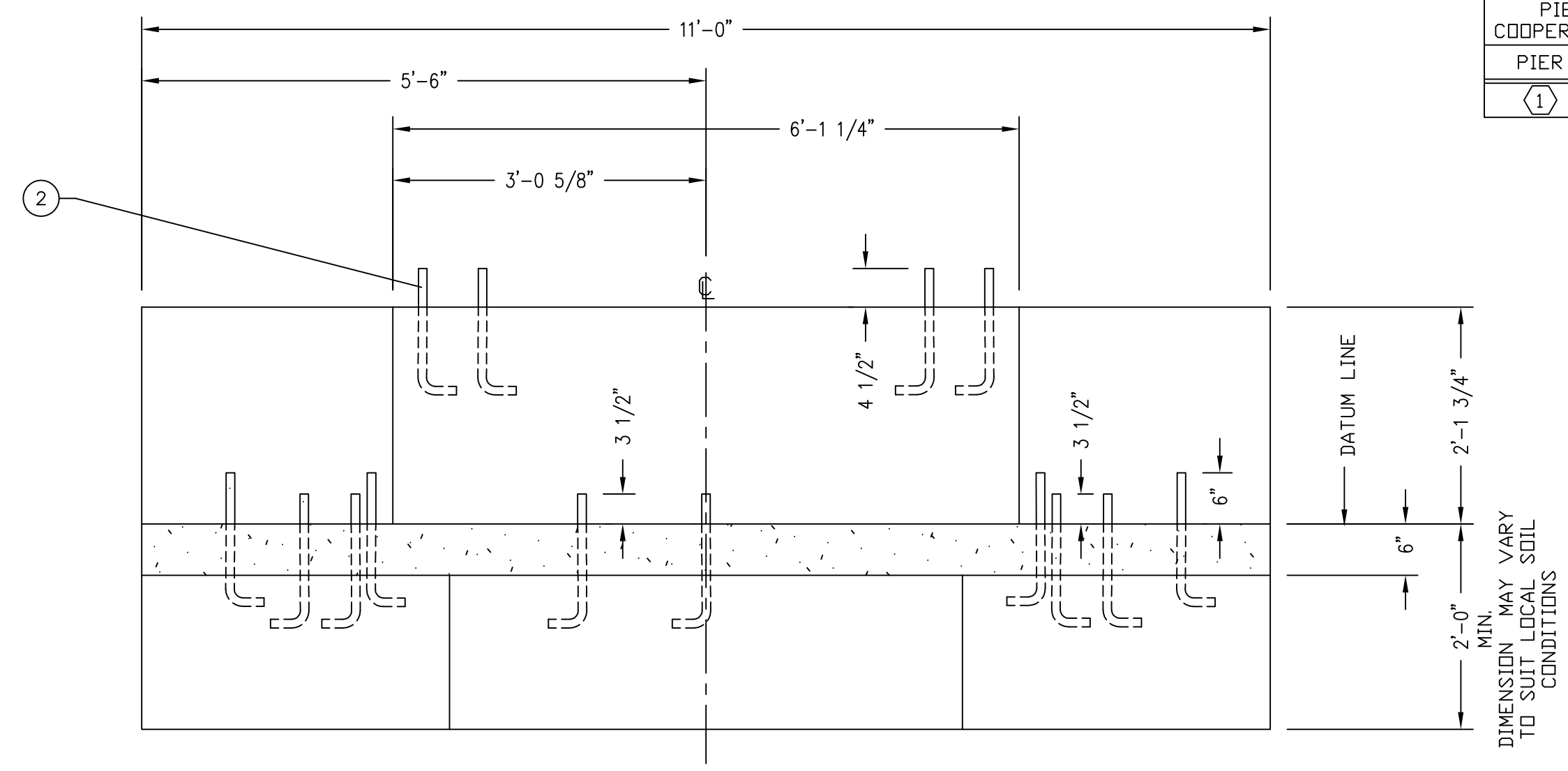
NOTES:

1. THE MINIMUM SOIL BEARING SHALL BE 4,000 POUNDS PER SQUARE FOOT. THE MINIMUM CONCRETE STRENGTH SHALL BE 3,000 POUNDS PER SQUARE INCH, 28 DAY. FOR UNUSUAL SOIL CONDITIONS OR DEEP FROST PENETRATION, ALTER FOUNDATION AS REQUIRED. FOOTINGS MUST BE 12 INCHES BELOW FROST LINE.
2. THE SCALE FOUNDATION SHALL BE CONSTRUCTED OF REINFORCED CONCRETE. THE QUALITY OF MATERIALS AND METHODS OF MIXING AND PLACING THE CONCRETE SHALL CONFORM TO THE A.R.E.A. SPECIFICATIONS FOR REINFORCED CONCRETE PART I CHAPTER 8. THE CUSTOMER SHALL CONSTRUCT THE FOUNDATION TO SUIT LOCAL SOIL CONDITIONS.
3. CARDINAL SCALE MFG. CO. SHALL NOT BE RESPONSIBLE FOR THE STABILITY OF THE FOUNDATION.
4. WORK FROM CENTERLINES WHEN ERECTING FORMS AND SETTING BOLTS. TOPS OF PIERS AND WALLS MUST BE SMOOTH, LEVEL, AND TRUE TO PLANE.
5. SEE DRAWING 0860-D012-0A FOR RECOMMENDED APPROACHES.
6. TWO INCHES HAS BEEN ALLOWED IN HEIGHT ABOVE THE DATUM LINE FOR GRUTING. STANDARD MILL TOLERANCE STEEL DIMENSIONS ARE NOMINAL AND MAY VARY.
7. APPROX. 34.4 CU. YDS. EXCAVATION REQUIRED FOR THE FOUNDATION AS SHOWN.
8. APPROX. 18.1 CU. YDS. CONCRETE REQUIRED FOR THE FOUNDATION AS SHOWN.
9. TRANSMISSION CABLE FROM LOAD CELL TO INDICATOR MUST BE IN ONE INCH MINIMUM SIZE STEEL CONDUIT AT LEAST 24 INCHES FROM THE CLOSEST ELECTRICAL LINE. THEY MAY CROSS AT 90° ONLY. (LOCATION OPTIONAL)
10. DO NOT WELD ON THE STRUCTURE WHILE THE ELECTRONIC LOAD CELLS ARE IN THE SYSTEM.
11. SEE DRAWING 3502-C138-ES FOR ELECTRICAL GROUNDING INSTRUCTIONS.



SECTION X-X

PIER LOADINGS AT COOPER E-80 LOAD RATING	
PIER	LOADING
(1)	102 KIP



SECTION Y-Y

FOR REFERENCE ONLY!

QTY.	QTY.	QTY.	ITEM	PART/DWG. NUMBER	DESCRIPTION	MATERIAL OR SOURCE	WT. EACH
	7		3502-B011-50		GRUINDING KIT		16.2
	6						
	72	5	6024-0027		FLAT WASHER	1"	0.19
	56	4	6024-0060		LOCK WASHER	1"	0.08
	72	3	6013-0165		HEX NUT	1"-8 UNC-2B	0.29
	56	2	0849-B091-08		ANCHOR BOLT	1/2" BORE 15" X 1 1/2" THREAD LENGTH	3.69

QTY.	QTY.	QTY.	ITEM	PART/DWG. NUMBER	DESCRIPTION	MATERIAL OR SOURCE	WT. EACH
		261.9	WT.		PARTS/MATERIAL LIST		

UNLESS OTHERWISE SPECIFIED TOLERANCE ON DIMENSIONS ARE:		CARDINAL DETECTO FULLER WEIGHING SYSTEMS	
ANGLES	± 1/2"		
INTEGERS/FRACTIONS	± 1/16 IN.		
DECIMALS (.X)	± .03 IN.		
DECIMALS (.XX)	± .01 IN.		
DECIMALS (.XXX)	± .005 IN.		
NOTE: WHOLE NUMBERS MUST BE WRITTEN XX.000 TO INVOLVE DECIMAL TOLERANCES.			
THIS DRAWING IS THE PROPERTY OF THE CARDINAL SCALE MFG. CO. AND SHALL NOT BE USED NOR REPRODUCED EITHER WHOLLY OR IN PART EXCEPT WITH WRITTEN AUTHORIZATION. ALL RIGHTS OF DESIGN OR INVENTION ARE RESERVED.			
TITLE FOUNDATION PLAN: E-80 FULL ELECTRONIC LOW PROFILE RAILWAY TRACK SCALE 13' LONG A.R.E.M.A.		SCALE ASSEMBLY 0862-D033-0A	
DR. MLS	DATE 7/1/98	DO NOT SCALE DRAWING	NEXT ASSEMBLY
CH. ONM	DATE 7/13/98		D
MODEL 13-80LPRA-120	SHEET 1 OF 1	DWG. NO. 0862-D034-0A	REV. C