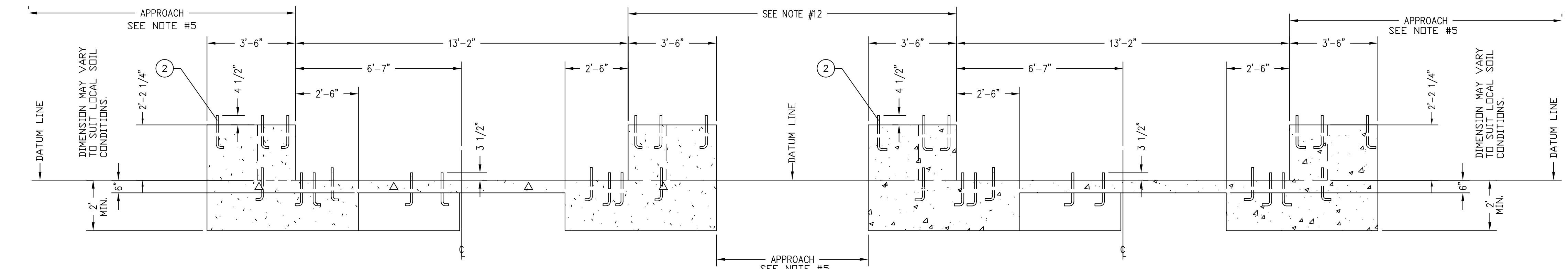
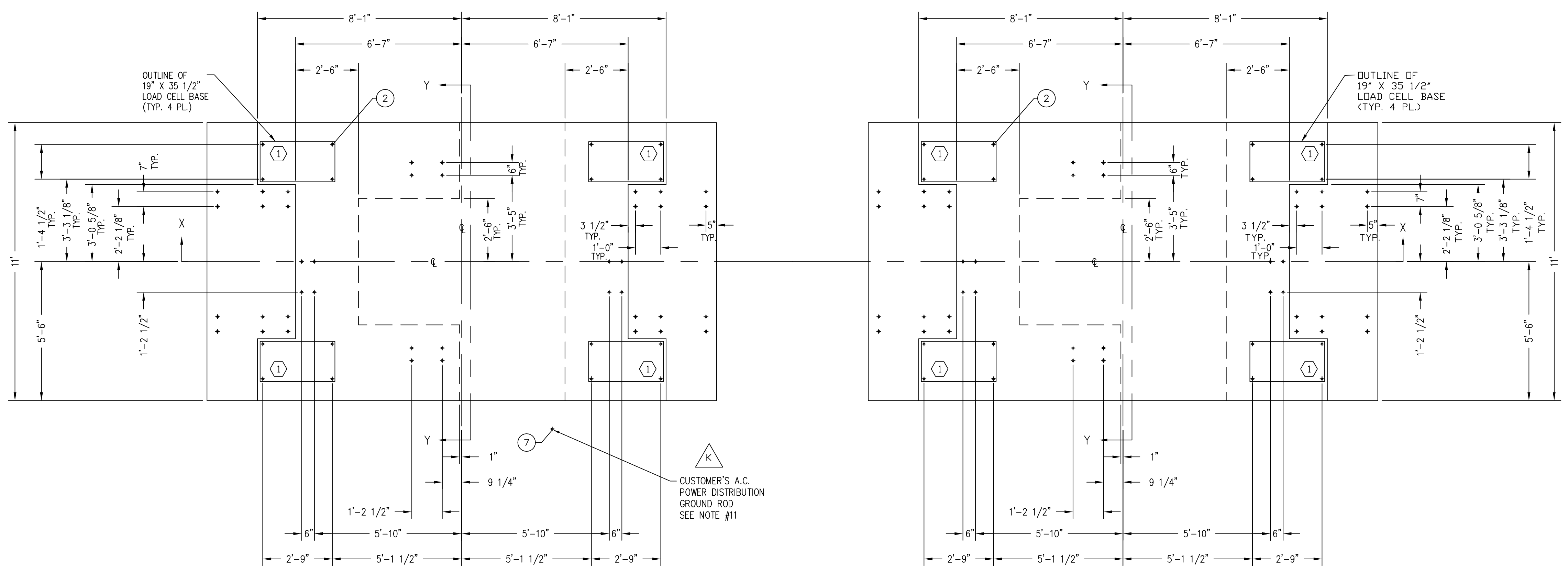


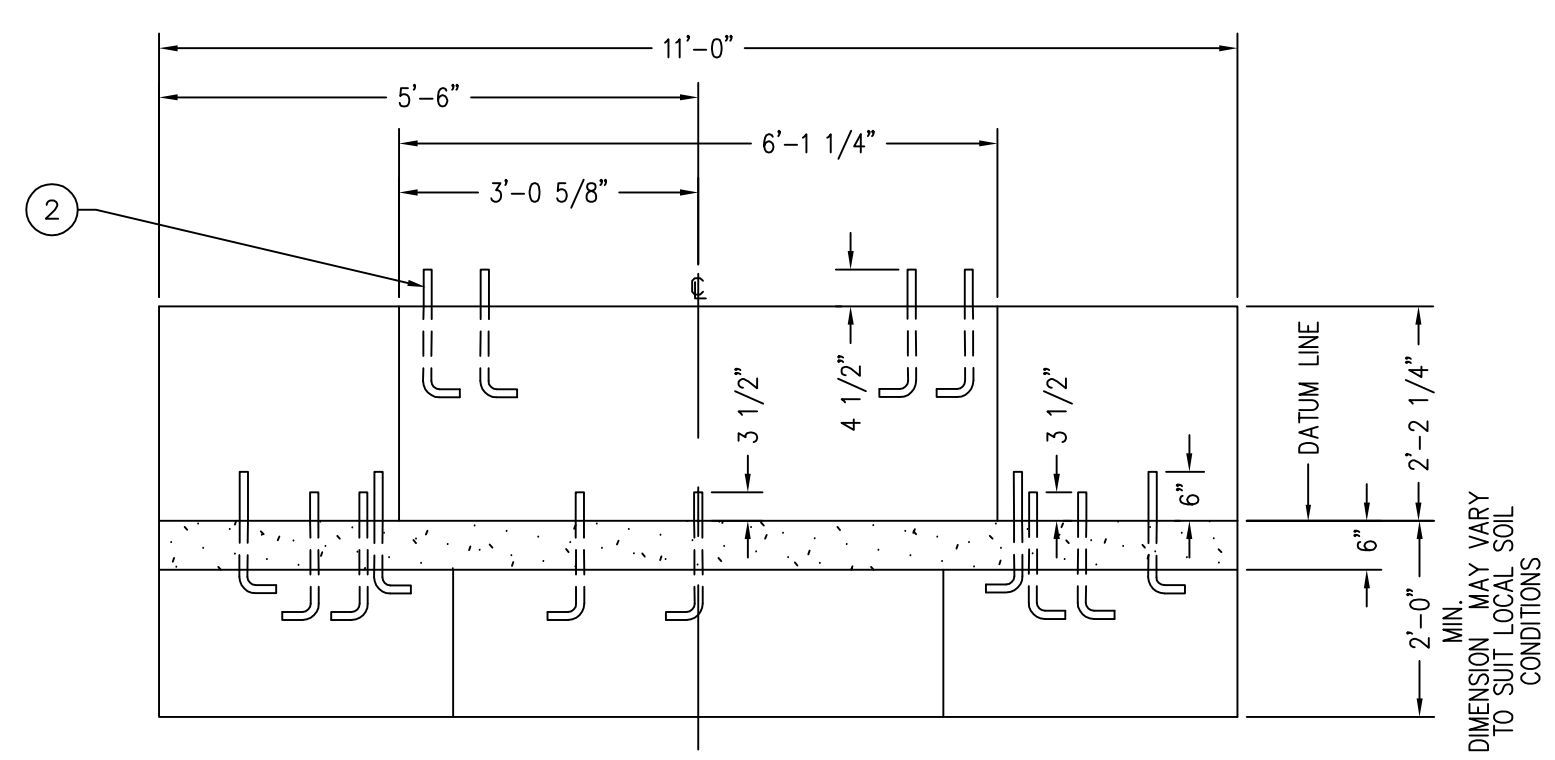
REVISION RECORD			
LTR	DESCRIPTION	DATE	BY
F	REDRAWN ON CAD SYSTEM	8/28/89	JAT
G	ADDED -200 TO MODEL NO. ECO: #13634	10-6 -93	KA
H	ITEM 2 WAS 2 1/2" THREAD LENGTH	10/26/94	14169 C.H.
J	ITEM 1 WAS 6007-0353 HEX HEAD BOLT, ITEM 2 WAS 6007-0351 HEX HEAD BOLT	6/10/97	15666 RN
K	SHOW GROUND ROD LOCATED OFF THE FOUNDATION TO INDICATE USING THE CUSTOMER'S A.C. POWER DISTRIBUTION GROUND ROD.	3/24/06	23438 JAT/SC
L	ALL ANCHOR BOLTS NOW 15" LONG; DELETE ITEM 1 ANCHOR BOLT 0849-B092-08 ITEM 2 QUANTITY WAS 80	1/17/13	21256 JAT



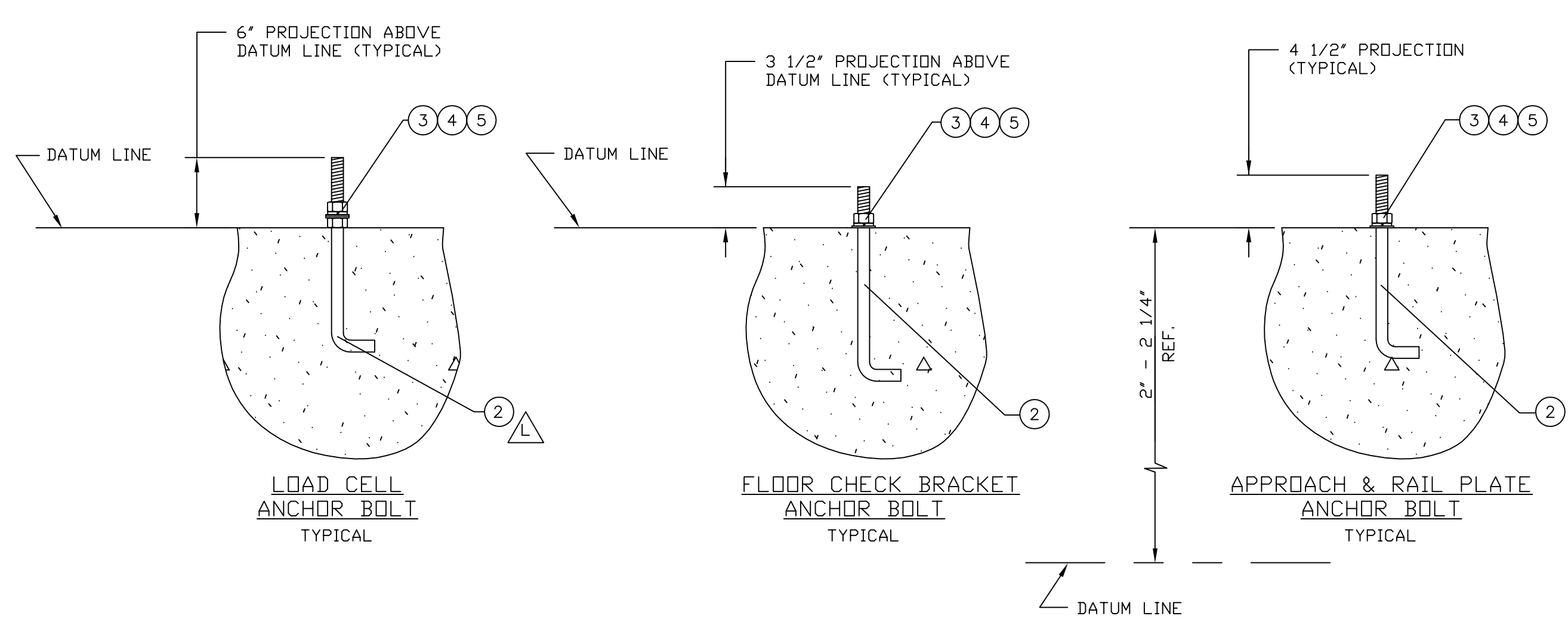
SECTION X-X

PIER LOADINGS AT COOPER E-80 LOAD RATING	
PIER	LOADING
(1)	102 KIP

FOR REFERENCE ONLY!



SECTION Y-Y



- NOTES:
- THE MINIMUM SOIL BEARING SHALL BE 4,000 POUNDS PER SQUARE FOOT. THE MINIMUM CONCRETE STRENGTH SHALL BE 3,000 POUNDS PER SQUARE INCH, 28 DAY. FOR UNUSUAL SOIL CONDITIONS OR DEEP FROST PENETRATION, ALTER FOUNDATION AS REQUIRED. FOOTINGS MUST BE 12 INCHES BELOW FROST LINE.
 - THE SCALE FOUNDATION SHALL BE CONSTRUCTED OF REINFORCED CONCRETE. THE QUALITY OF MATERIALS AND METHODS OF MIXING AND PLACING THE CONCRETE SHALL CONFORM TO THE A.R.E.A. SPECIFICATIONS FOR REINFORCED CONCRETE PART I CHAPTER 8. THE CUSTOMER SHALL CONSTRUCT THE FOUNDATION TO SUIT LOCAL SOIL CONDITIONS.
 - CARDINAL SCALE MFG. CO. SHALL NOT BE RESPONSIBLE FOR THE STABILITY OF THE FOUNDATION.
 - WORK FROM CENTERLINES WHEN ERECTING FORMS AND SETTING BOLTS. TOPS OF PIERS AND WALLS MUST BE SMOOTH, LEVEL, AND TRUE TO PLANE.
 - SEE DRAWING 0860-D007 FOR RECOMMENDED APPROACHES. 2WD INCHES HAS BEEN ALLOWED IN HEIGHT ABOVE THE DATUM LINE FOR GRUTING. STANDARD MILL TOLERANCE STEEL DIMENSIONS ARE NOMINAL AND MAY VARY.
 - APPROX. 68.8 CU. YDS EXCAVATION REQUIRED, FOR THE FOUNDATION AS SHOWN.
 - APPROX 36.2 CU. YDS. CONCRETE REQUIRED, FOR THE FOUNDATION AS SHOWN.
 - TRANSMISSION CABLE FROM LOAD CELL TO INDICATOR MUST BE IN ONE INCH MINIMUM SIZE STEEL CONDUIT AT LEAST 24 INCHES FROM THE CLOSEST ELECTRICAL LINE. THEY MAY CROSS AT 90° ONLY. (LOCATION OPTIONAL)
 - DO NOT WELD ON THE STRUCTURE WHILE THE ELECTRONIC LOAD CELLS ARE IN THE SYSTEM.
 - SEE DRAWING 3502-C138-ES FOR ELECTRICAL GROUNDING INSTRUCTIONS.
 - CUSTOMER TO SPECIFY DISTANCE BETWEEN SCALES.

1	7	3502-B011-52	GROUNDING KIT		34.4
	6				
144	5	6024-0027	FLAT WASHER	1"	0.19
112	4	6024-0060	LOCK WASHER	1"	0.08
144	3	6013-0165	HEX NUT	1"-8 UNC-2B	0.29
112	2	0849-B091-08	ANCHOR BOLT	1"-8 UNC-2B X 15" 4 1/2" THREAD LENGTH	3.69
	1				

QTY.	QTY.	QTY.	ITEM	PART/DWG. NUMBER	DESCRIPTION	MATERIAL OR SOURCE	WT. EACH
		-0A	ASSY				
	525.8		WT.		PARTS/MATERIAL LIST		
UNLESS OTHERWISE SPECIFIED TOLERANCE ON DIMENSIONS ARE: ANGLES ± 1/2° INTEGERS/FRACTIONS ± 1/16 IN. DECIMALS (X) ± .03 IN. DECIMALS (.XX) ± .01 IN. DECIMALS (.XXX) ± .005 IN. NOTE: WHOLE NUMBERS MUST BE WRITTEN XXX.000 TO INVOLVE DECIMAL TOLERANCES.							
<div style="display: flex; justify-content: space-between;"> <div> <p>THIS DRAWING IS THE PROPERTY OF THE CARDINAL SCALE MFG. CO. AND SHALL NOT BE USED NOR REPRODUCED EITHER WHOLLY OR IN PART EXCEPT WITH WRITTEN AUTHORIZATION. ALL RIGHTS OF DESIGN OR INVENTION ARE RESERVED.</p> </div> <div style="text-align: center;"> <p>Cardinal Scale Manufacturing Co. WEBB CITY, MISSOURI, USA 64870</p> </div> <div style="text-align: right;"> <p>CARDINAL DETECTO FULLER WEIGHING SYSTEMS</p> </div> </div>							
TITLE FOUNDATION PLAN: E-80 FULL ELECTRONIC LOW PROFILE RAILWAY TRACK SCALE 13' & 13' LONG A.R.E.M.A. SCALE N.T.S. DO NOT SCALE DRAWING NEXT ASSEMBLY 0860-D005							
DR. JAT		DATE 10/22/86		D			
CH. C WALLS JR.		DATE 4 NOV 86		DWG. NO.		REV.	
MODEL 1313-80 LPRA-200		SHEET 1 OF 1		0860-D006		L	