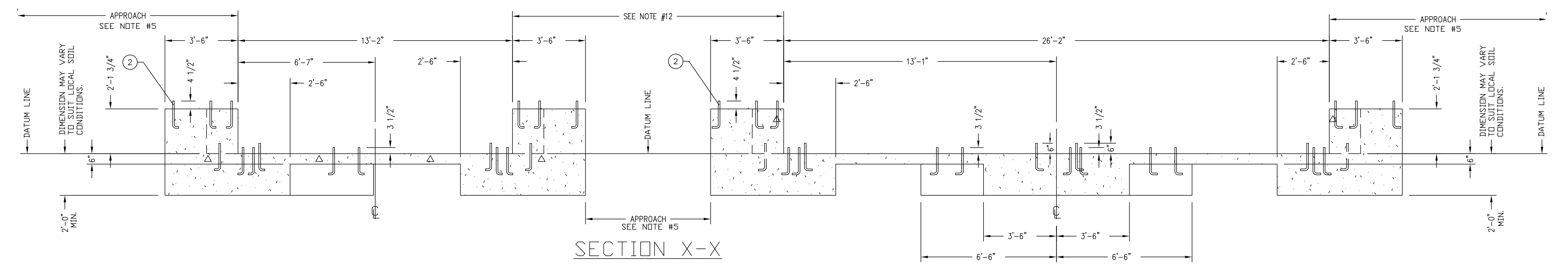
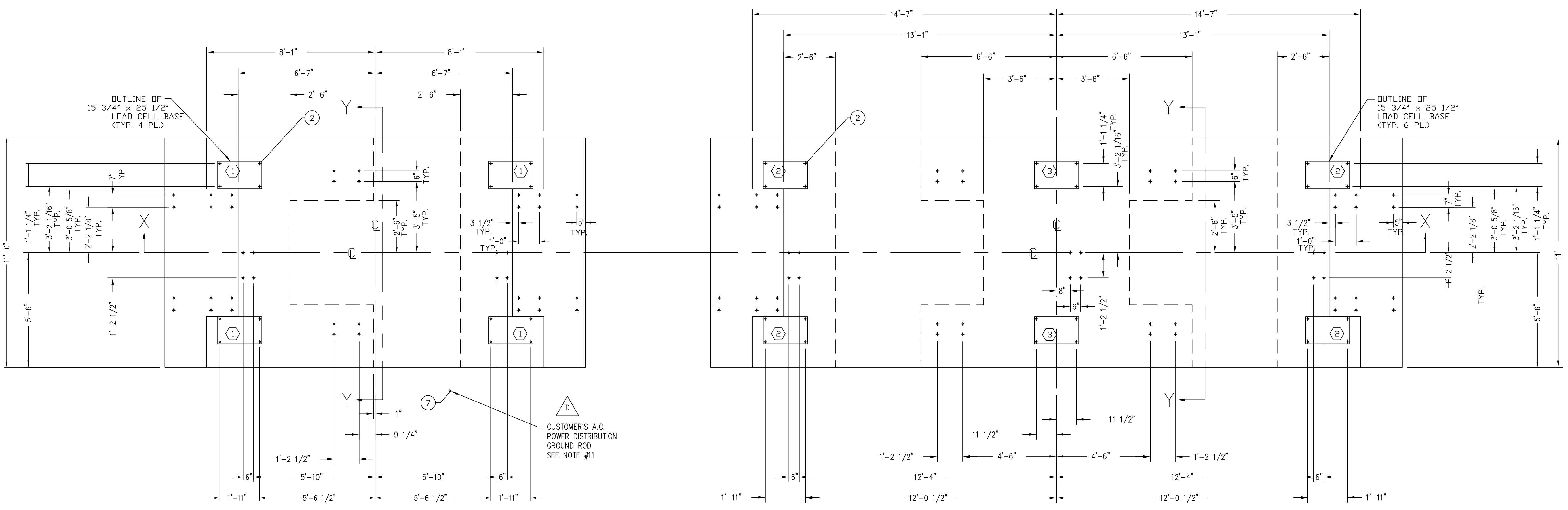
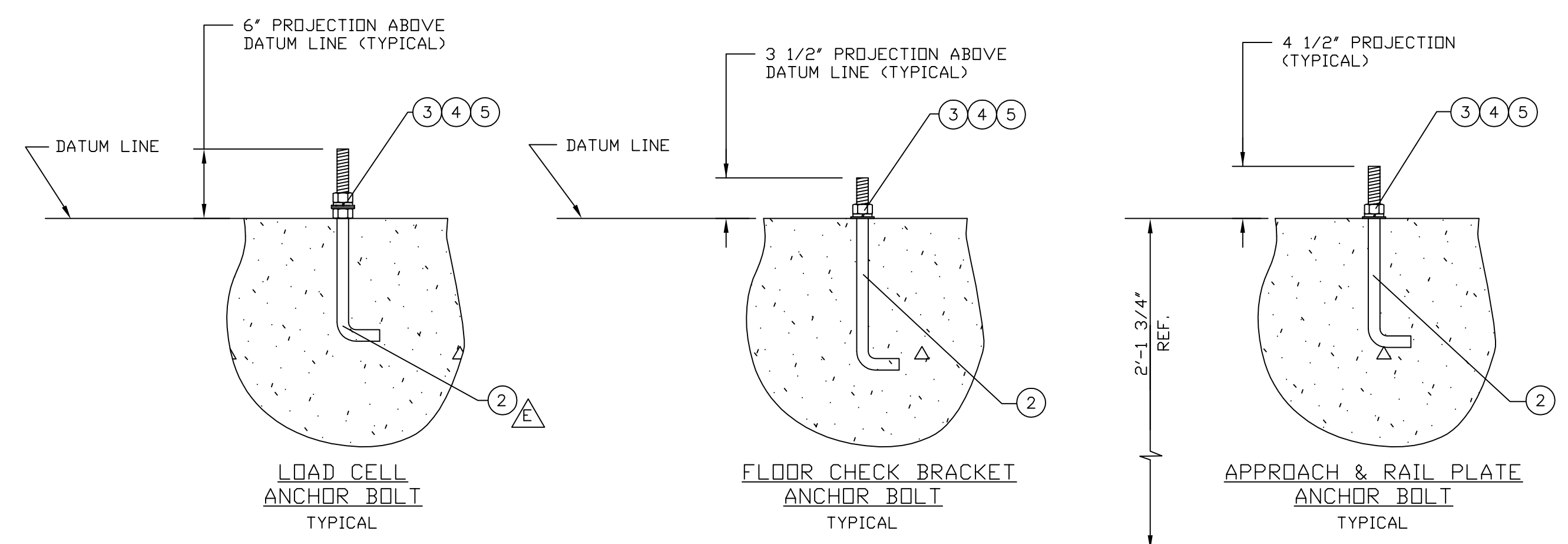
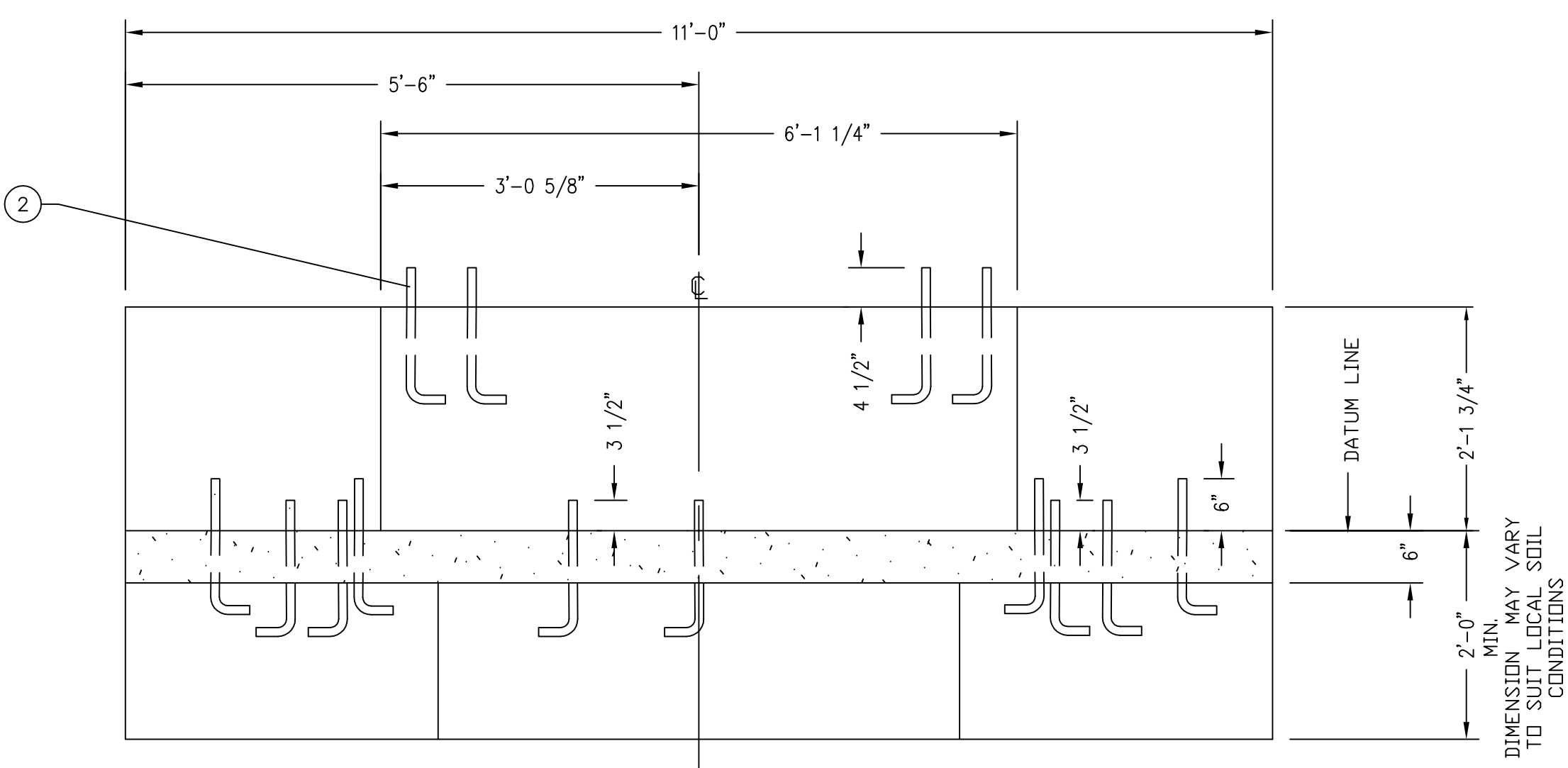


REVISION RECORD			
LTR	DESCRIPTION	DATE	BY
A	ECO: #13621	9-28-93	KA
B	ITEM 2 WAS 2 1/2" THREAD LENGTH	10-26-94	14169 C.H.
C	ITEM 1 WAS 6007-0353 HEX HEAD BOLT, ITEM 2 WAS 6007-0351 HEX HEAD BOLT	6/5/97	15666 RN
D	SHOW GROUND ROD LOCATED OFF THE FOUNDATION TO INDICATE USING THE CUSTOMER'S A.C. POWER DISTRIBUTION GROUND ROD.	3/24/06	23438 JAT/SC
E	ALL ANCHOR BOLTS ARE NOW 15" LONG; DELETE ITEM 1 ANCHOR BOLT 0849-B092-08; ITEM 2 QUANTITY WAS 92	1/17/13	21256 JAT



PIER LOADINGS AT COOPER E-80 LOAD RATING	
PIER	LOADING
①	102 KIP
②	101 KIP
③	104 KIP



FOR REFERENCE ONLY!

1	7	3502-B011-53	GRINDING KIT		43.1
6					
172	5	6024-0027	FLAT WASHER	1"	0.19
132	4	6024-0060	LOCK WASHER	1"	0.08
172	3	6013-0165	HEX NUT	1"-8 UNC-2B	0.29
132	2	0849-B091-08	ANCHOR BOLT	1 1/2" THREAD LENGTH	3.69
1					

QTY.	QTY.	ITEM	PART/DWG. NUMBER	DESCRIPTION	MATERIAL OR SOURCE	WT. EACH
	623.3	WT.		PARTS/MATERIAL LIST		
UNLESS OTHERWISE SPECIFIED TOLERANCE ON DIMENSIONS ARE:						
ANGLES ± 1/2"						
INTEGERS/FRACTIONS ± 1/16 IN.						
DECIMALS (X) ± .03 IN.						
DECIMALS (.XX) ± .01 IN.						
DECIMALS (.XXX) ± .005 IN.						
NOTE: WHOLE NUMBERS MUST BE WRITTEN XX,000 TO INVOLVE DECIMAL TOLERANCES.						
THIS DRAWING IS THE PROPERTY OF THE CARDINAL SCALE MFG. CO. AND SHALL NOT BE USED NOR REPRODUCED EITHER WHOLLY OR IN PART EXCEPT WITH WRITTEN AUTHORIZATION. ALL RIGHTS OF DESIGN OR INVENTION ARE RESERVED.						
DR. C WALLS JR.			DATE	1 APRIL 86		
CH.			DATE		D	
MODEL			SHEET	1 OF 1	DWG. NO.	0862-D009-0A
1326-80 LPRA-100					REV.	E