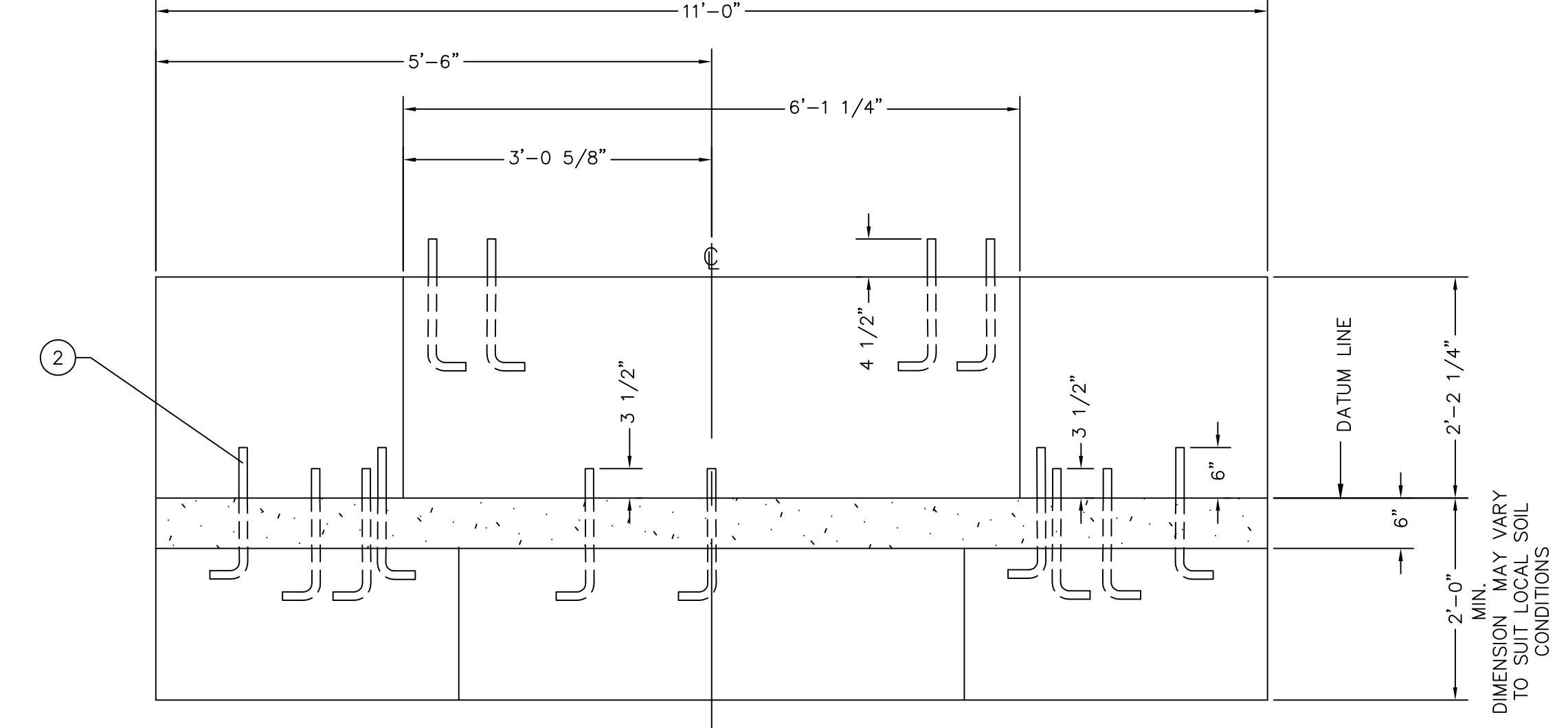
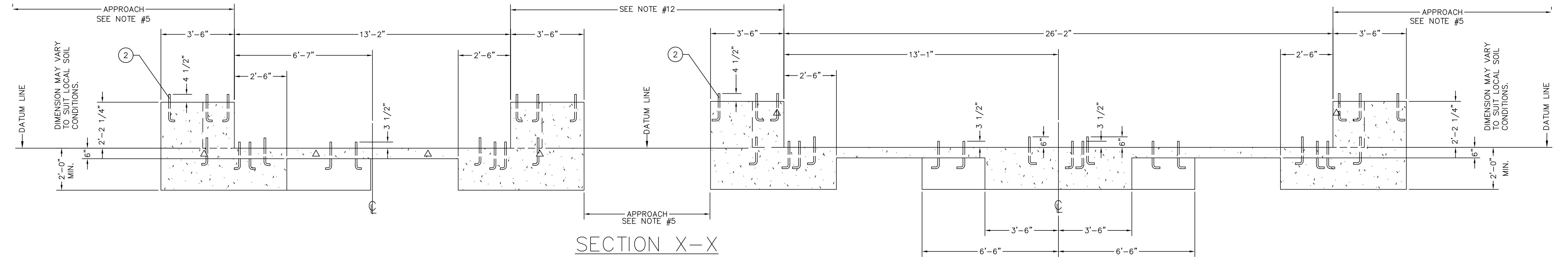
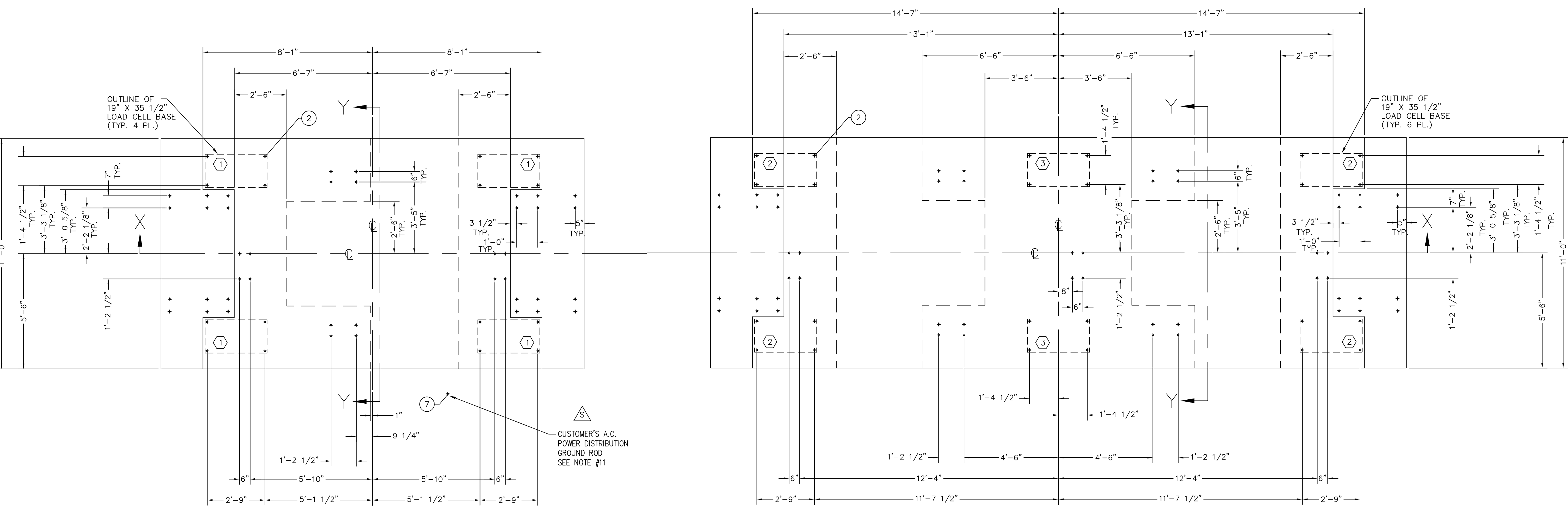
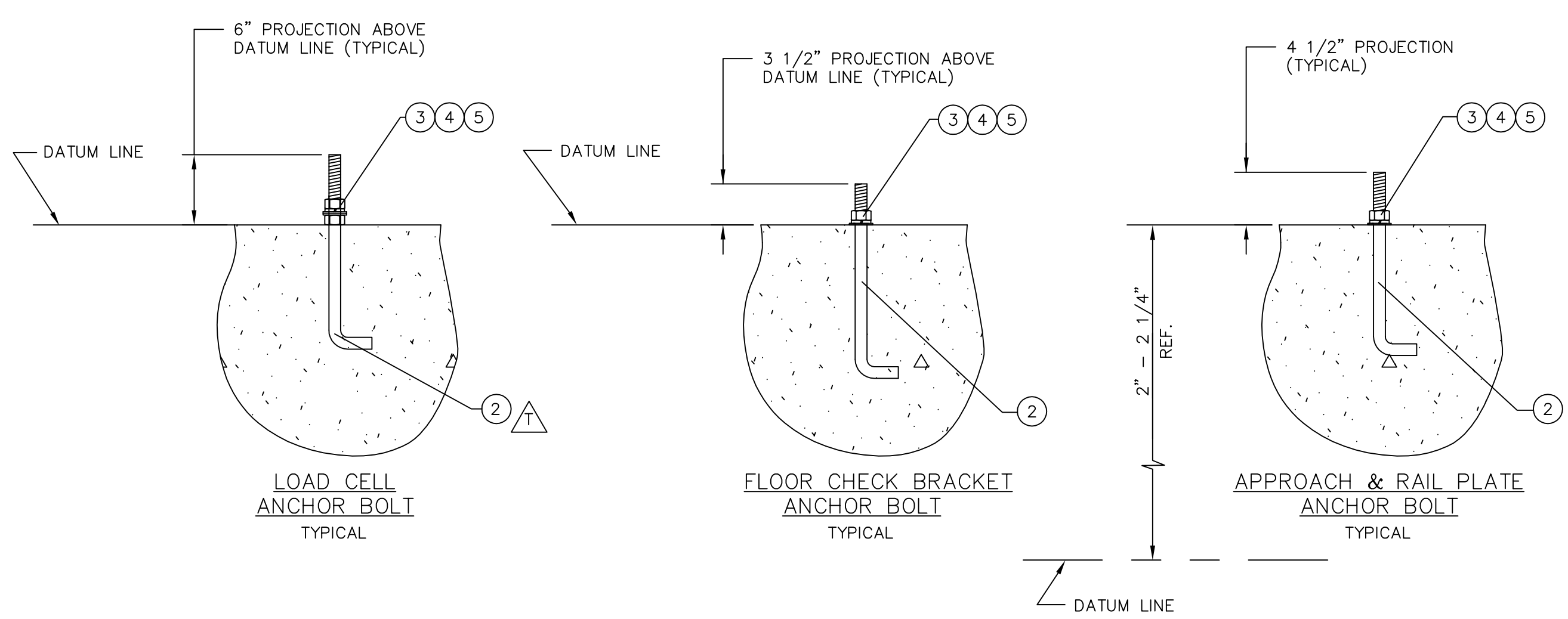


REVISION RECORD			
LTR	DESCRIPTION	DATE	BY
M	REDRAWN ON CAD SYSTEM	8/28/89	JAT
N	ADDED -200 TO MODEL NO. ECO: #13634	10-6-93	KA
P	ITEM 2 WAS 2 1/2" THREAD LENGTH	10/26/94	14169 C.H.
R	ITEM 1 WAS 6007-0353 HEX HEAD BOLT ITEM 2 WAS 6007-0351 HEX HEAD BOLT	6/9/97	15666 RN
S	SHOW GROUND ROD LOCATED OFF THE FOUNDATION TO INDICATE USING THE CUSTOMER'S A.C. POWER DISTRIBUTION GROUND ROD.	3/24/06	23438 JAT/SC
T	ALL ANCHOR BOLTS NOW 15" LENGTH: DELETE ITEM 1 0849-B092-08 QTY 40; ITEM 2 0849-B091-08 QTY WAS 92.	1/10/13	21256 JAT



PIER	LOADING
(1)	102 KIP
(2)	101 KIP
(3)	104 KIP



NOTES:

- THE MINIMUM SOIL BEARING SHALL BE 4,000 POUNDS PER SQUARE FOOT. THE MINIMUM CONCRETE STRENGTH SHALL BE 3,000 POUNDS PER SQUARE INCH, 28 DAY. FOR UNUSUAL SOIL CONDITIONS OR DEEP FROST PENETRATION, ALTER FOUNDATION AS REQUIRED. FOOTINGS MUST BE 12 INCHES BELOW FROST LINE.
- THE SCALE FOUNDATION SHALL BE CONSTRUCTED OF REINFORCED CONCRETE. THE QUALITY OF MATERIALS AND METHODS OF MIXING AND PLACING THE CONCRETE SHALL CONFORM TO THE A.R.E.A. SPECIFICATIONS FOR REINFORCED CONCRETE PART I CHAPTER 8. THE CUSTOMER SHALL CONSTRUCT THE FOUNDATION TO SUIT LOCAL SOIL CONDITIONS.
- CARDINAL SCALE MFG. CO. SHALL NOT BE RESPONSIBLE FOR THE STABILITY OF THE FOUNDATION.
- WORK FROM CENTERLINES WHEN ERECTING FORMS AND SETTING BOLTS. TOPS OF PIERS AND WALLS MUST BE SMOOTH, LEVEL, AND TRUE TO PLANE.
- SEE DRAWING 0860-D007 FOR RECOMMENDED APPROACHES.
- TWO INCHES HAS BEEN ALLOWED IN HEIGHT ABOVE THE DATUM LINE FOR GROUTING. STANDARD MILL TOLERANCE STEEL DIMENSIONS ARE NOMINAL AND MAY VARY.
- APPROX. 91 CU. YDS. EXCAVATION REQUIRED FOR THE FOUNDATION AS SHOWN.
- APPROX. 43.9 CU. YDS. CONCRETE REQUIRED FOR THE FOUNDATION AS SHOWN.
- TRANSMISSION CABLE FROM LOAD CELL TO INDICATOR MUST BE IN ONE INCH MINIMUM SIZE STEEL CONDUIT AT LEAST 24 INCHES FROM THE CLOSEST ELECTRICAL LINE. THEY MAY CROSS AT 90° ONLY. (LOCATION OPTIONAL)
- DO NOT WELD ON THE STRUCTURE WHILE THE ELECTRONIC LOAD CELLS ARE IN THE SYSTEM.
- SEE DRAWING 3502-C138-ES FOR ELECTRICAL GROUNDING INSTRUCTIONS.
- CUSTOMER TO SPECIFY DISTANCE BETWEEN SCALES.

FOR REFERENCE ONLY!

QTY.	QTY.	QTY.	ITEM	PART/DWG. NUMBER	DESCRIPTION	MATERIAL OR SOURCE	WT. EACH
	1	7	3502-B011-53		GROUNDING KIT		43.1
		6					
	172	5	6024-0027		FLAT WASHER	1"	0.19
	132	4	6024-0060		LOCK WASHER	1"	0.08
	172	3	6013-0165		HEX NUT	1"-8 UNC-2B	0.29
	132	2	0849-B091-08		ANCHOR BOLT	1"-9 UNC-2A X 15" 1/2" THREAD LENGTH	3.69

UNLESS OTHERWISE SPECIFIED TOLERANCE ON DIMENSIONS ARE:
 ANGLES ± 1/2"
 INTEGERS/FRACTIONS ± 1/16 IN.
 DECIMALS (.X) ± .03 IN.
 DECIMALS (.XX) ± .01 IN.
 DECIMALS (.XXX) ± .005 IN.
 NOTE: WHOLE NUMBERS MUST BE WRITTEN XX.000 TO INVOLVE DECIMAL TOLERANCES.

THIS DRAWING IS THE PROPERTY OF THE CARDINAL SCALE MFG. CO. AND SHALL NOT BE USED NOR REPRODUCED EITHER WHOLLY OR IN PART EXCEPT WITH WRITTEN AUTHORIZATION. ALL RIGHTS OF DESIGN OR INVENTION ARE RESERVED.

Cardinal Scale Manufacturing Co.
 CARDINAL DETECTO FULLER WEIGHING SYSTEMS
 TITLE FOUNDATION PLAN: E-80 FULL ELECTRONIC LOW PROFILE RAILWAY TRACK SCALE 13' & 26' LONG A.R.E.M.A.
 SCALE N.T.S. DO NOT SCALE DRAWING NEXT ASSEMBLY 0860-D001
 DR. JAT DATE 10/22/86
 CH. C WALLS JR. DATE 4 NOV 86
 MODEL 1326-80 LPRA-200 SHEET 1 OF 1 DWG. NO. 0860-D002 REV. T