

# DETECTO®



Model 6855



Model 6857DHR



Model 6855MHR



## Model 685X Series Waist-High Digital Bariatric Scale Owner's Manual



# TABLE OF CONTENTS

<b>INTRODUCTION</b> .....	<b>1</b>
<b>SPECIFICATIONS</b> .....	<b>3</b>
<b>UNPACKING INSTRUCTIONS</b> .....	<b>4</b>
<b>CARE AND CLEANING OF SCALE</b> .....	<b>4</b>
<b>OPERATION</b>	
<b>6855, 6855KGEU, 6855MHR, 6856, 6856KGEU, and 6856MHR</b> .....	<b>5</b>
To Weigh .....	5
Zero Weight Display .....	5
To Weigh and Calculate BMI .....	5
<b>6854DHR, 6854KGEUDHR, 6857DHR, and 6857KGEUDHR</b> .....	<b>6</b>
To Weigh .....	6
Zero Weight Display .....	6
To Weigh and Calculate BMI .....	7
<b>MECHANICAL HEIGHT ROD INSTRUCTIONS</b> .....	<b>8</b>
Mechanical Height Rod Installation .....	8
Measuring Patient's Height .....	9
<b>DIGITAL HEIGHT ROD INSTRUCTIONS</b> .....	<b>10</b>
Digital Height Rod Installation .....	10
Measuring Patient's Height .....	11
<b>PART IDENTIFICATION</b> .....	<b>12</b>
6855 Side View .....	12
6855MHR Side View .....	13
6855MHR Back View .....	14
6854DHR Side View .....	15
6854DHR Back View .....	16
6855/6855MHR/6854DHR Bottom View .....	17
6855/6855MHR/6854DHR Trim Board .....	17
6855/6854DHR Parts List .....	18
6856 Side View .....	19
6856MHR Side View .....	20
6856MHR Back View .....	21
6857DHR Side View .....	22
6857DHR Back View .....	23
6856/6856MHR/6857DHR Bottom View .....	24
6856/6856MHR/6857DHR Trim Board .....	24
6856/6857DHR Parts List .....	25

<b>Serial Number</b> _____ <b>Date of Purchase</b> _____ <b>Purchased From</b> _____ _____ _____ _____ _____ <small>RETAIN THIS INFORMATION FOR FUTURE USE</small>
---

<b>PRECAUTIONS</b>	
Before using this indicator, read this manual and pay special attention to all "NOTIFICATION" symbols:	
	
<b>IMPORTANT</b>	<b>ELECTRICAL WARNING</b>

## FCC COMPLIANCE STATEMENT

This equipment generates uses, can radiate radio frequency, and if not installed and used in accordance with the instruction manual, may cause interference to radio communications. It has been designed within the limits for a Class A computing device pursuant to Subpart J of Part 15 of FCC rules to provide reasonable protection against such interference when operated in a commercial environment. Operation of this equipment in a residential area may cause interference, in which case the user will be responsible to take whatever measures are necessary to correct the interference.

You may find the booklet "How to Identify and Resolve Radio-TV Interference Problems" prepared by the Federal Communications Commission helpful. It is available from the U.S. Government Printing Office, Washington, D.C. 20402. Request stock No. 001-000-00315-4.

## PROPER DISPOSAL

When this device reaches the end of its useful life, it must be properly disposed of. It must not be disposed of as unsorted municipal waste. Within the European Union, this device should be returned to the distributor from where it was purchased for proper disposal. This is in accordance with EU Directive 2002/96/EC. Within North America, the device should be disposed of in accordance with the local laws regarding the disposal of waste electrical and electronic equipment.

It is everyone's responsibility to help maintain the environment and to reduce the effects of hazardous substances contained in electrical and electronic equipment on human health. Please do your part by making certain that this device is properly disposed of. The symbol shown to the right indicates that this device must not be disposed of in unsorted municipal waste programs.



## COPYRIGHT

All rights reserved. Reproduction or use, without express written permission, of editorial or pictorial content, in any manner, is prohibited. No patent liability is assumed with respect to the use of the information contained herein.

## DISCLAIMER

While every precaution has been taken in the preparation of this manual, the Seller assumes no responsibility for errors or omissions. Neither is any liability assumed for damages resulting from the use of the information contained herein. All instructions and diagrams have been checked for accuracy and ease of application; however, success and safety in working with tools depend to a great extent upon individual accuracy, skill, and caution. For this reason, the Seller is not able to guarantee the result of any procedure contained herein. Nor can they assume responsibility for any damage to property or injury to persons occasioned from the procedures. Persons engaging in the procedures do so entirely at their own risk.

# INTRODUCTION

Thank you for purchasing our Waist-High Digital Bariatric Scale. It has been manufactured with quality and reliability and has been tested before leaving our factory to ensure accuracy and dependability for years to come.

This manual is provided to guide you through the operation of your scale. Please read it thoroughly before attempting to operate your scale and keep it available for future reference.

This manual is for the following digital bariatric scales:

6855	6856	6854	6857
6855-AC	6856-AC	6854DHR	6857DHR
6855-C	6856-C	6854DHR-AC	6857DHR-AC
6855-C-AC	6856-C-AC	6854DHR-ACUK	6857DHR-ACUK
6855KGEU	6856KG	6854DHR-C	6857DHR-C
6855MHR	6856KGEU	6854DHR-C-AC	6857DHR-C-AC
6855MHR-AC	6856KGEU-MHR	6854KGEUDHR	6857KGEUDHR
6855MHR-C	6856MHR		
6855MHR-C-AC	6856MHR-AC		
	6856MHR-C		
	6856MHR-C-AC		



**6855 / 6855KGEU**



**6856 / 6856KGEU**



**6855MHR**



**6856MHR**



**6854DHR / 6854KGEUDHR**



**6857DHR / 6857KGEUDHR**

# SPECIFICATIONS

	<b>6855 6855MHR</b>	<b>6855KGEU OIML EC Class III</b>	<b>6856 6856MHR</b>	<b>6856KGEU OIML EC Class III</b>
Capacity:	600 lb x .2 lb or 270 kg x .1 kg (selectable)	300 kg x 0.1 kg or 350 kg x 0.2 kg	1000 lb x .2 lb or 450 kg x .1 kg (selectable)	300 kg x 0.1 kg or 350 kg x 0.2 kg
Platform Size:	18" x 14" / 46 cm x 36 cm		24" x 24" / 61 cm x 61 cm	
Shipping Weight:	70 lb / 32 kg		85 lb / 39 kg	
Height Rod:	24" to 84" x 0.1 in (60 cm to 212 cm x 0.1 cm)			
Display:	Six digits, Seven segments, 0.7 inches (17.8 mm) high LCD			
Power:	6 "AA" size Alkaline, Ni-Cad, or NiMH batteries ( <i>not included</i> ) OR an optional 100-240 VAC 50/60Hz 12 VDC 1A wall plug-in UL/CSA listed AC power adapter (Cardinal part number 6800-1045).			
Keyboard:	Membrane type with 5 keys, On/Off, Lock/Release, Units, Zero, BMI/Enter, and 4 directional arrows			

	<b>6854DHR</b>	<b>6854KGEUDHR OIML EC Class III</b>	<b>6857DHR</b>	<b>6857KGEUDHR OIML EC Class III</b>
Capacity:	600 lb x .2 lb or 270 kg x .1 kg (selectable)	300 kg x 0.1 kg or 350 kg x 0.2 kg	1000 lb x .2 lb or 360 kg x .1 kg (selectable)	300 kg x 0.1 kg or 350 kg x 0.2 kg
Platform Size:	18" x 14" / 46 cm x 36 cm		24" x 24" / 61 cm x 61 cm	
Shipping Weight:	74 lb / 34 kg		85 lb / 39 kg	
Digital Height Rod:	43" to 79" x 0.1 in (110 cm to 200 cm x 0.1 cm)			
Display:	Weight: 5 digits, seven segments, 7/8" (22.23 mm) high LCD Height: 4 digits, seven segments, 1/2" (12.7 mm) high LCD BMI: 3 digits, seven segments, 1/2" (12.7 mm) high LCD ID: 14 digits, 14 segments, .35" (8.89 mm) high LCD			
Power:	<b>6854DHR / 6857DHR:</b> 6 "C" cell Alkaline, Ni-Cad, or NiMH batteries ( <i>not included</i> ) OR an optional 12 VDC 1.25A wall plug-in AC power adapter (Cardinal part number MV1PWR).  <b>6854KGEUDHR / 6857KGEUDHR:</b> 6 "C" cell Ni-Cad or NiMH batteries ( <i>not included</i> ) OR an optional 12 VDC 1.25A wall plug-in AC power adapter (Cardinal part number MV2PWR).			
Keys:	Membrane type with 19 keys, On/Off, Zero, Units, Lock/Release, Net/Gross, Tare, ID/Height, Clear, Print/Enter, and 0-9 Numeric Keys			

## UNPACKING INSTRUCTIONS

- Remove the staples or cut them along the bottom of the carton. Lift the carton off the pallet.
- Check for any damage incurred in shipping. If the scale has been damaged, place a claim with the carrier. *It is the responsibility of the purchaser to file all claims for any damages or loss incurred during transit.* Use the original carton and shipping material to return the scale.
- Cut the packing straps securing the scale to the pallet.
- To remove the scale from the pallet, at the back of the scale lift up with equal force from the column and the platform base near the wheels, then gently set the scale on the floor.
- Remove all the plastic wrapping, foam fillers, and cardboard material from the scale.
- Remove and unpack the AC power adapter if your scale model included the AC adapter.
- Install the batteries or if your scale model included the AC power adapter, plug the small connector end of the AC adapter cord into the jack located on the back of the indicator, then plug the AC power adapter into an appropriate electrical power outlet.



**WARNING!** DO NOT connect the AC power adapter to the indicator if alkaline batteries are installed.

- Install the indicator on the bracket on the scale column and then connect the load cell cable to the indicator.

**NOTE:** For additional information on installing the batteries (or the AC power adapter), installing the indicator on the column bracket, and connecting the load cell cable.

Refer to the 750 Weight Indicator Owner's Manual (8555-M483-O1) for the 6855, 6855KGEU, 6855MHR, 6856, 6856KGEU, and 6856MHR.

Refer to the MedVue MV1 Owner's Manual (8555-M512-O1) for the 6854DHR and 6857DHR.

Refer to the MedVue MV2 Owner's Manual (8555-0530-0M) for the 6854KGEUDHR and 6857KGEUDHR.

## CARE AND CLEANING OF SCALE

- **DO NOT** subject the scale platform to sudden shocks.
- **DO NOT** submerge the indicator in water, pour, or spray water directly on the indicator.
- **DO NOT** use acetone, paint thinner, or other volatile solvents for cleaning.
- **DO NOT** expose the scale to temperature extremes.
- **DO NOT** place the scale in front of heating and cooling vents.
- **DO NOT** place the scale in an area where it might be exposed to moisture.
- **DO NOT** operate the keypad with pointed objects (pencils, pens, etc.). Damage to the keypad resulting from this practice is NOT covered under warranty.
- **DO** clean the indicator with a damp soft cloth and mild non-abrasive detergent.
- **DO** remove power before cleaning with a damp cloth.
- **DO** provide clean AC power and adequate protection against lightning damage.
- **DO** keep the surroundings clear to provide adequate air circulation.




# OPERATION

6855, 6855KGEU, 6855MHR, 6856, 6856KGEU, and 6856MHR



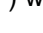
**ALWAYS** assist the patient in stepping on and off the scale platform to ensure they do not fall. **NEVER** leave a patient unattended while they are on the scale platform. Failure to maintain control of the patient at all times can result in severe injury to you and/or the patient.

## To Weigh

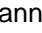
1. Set the scale on any hard, level, flat surface, or low-cut carpet.
2. Press the **ON/OFF** key to turn on the indicator.
3. If required, press the **ZERO** key to zero the weight display.
4. Assist the patient on the scale.
5. When the weight is stable, the (STABLE ) annunciator will turn on), read the weight display.
6. If a printer is connected to scale, press the **PRINT** key to print a ticket.
7. Assist the patient off the scale.



## Zero Weight Display

1. If the indicator is not showing zero weight on the display, press the **ZERO** key.
2. The weight display will return to zero. The ZERO and STABLE  annunciators will turn on to show a stable, center-of-zero ( $\rightarrow 0 \leftarrow$ ) weight condition.

## To Weigh and Calculate BMI

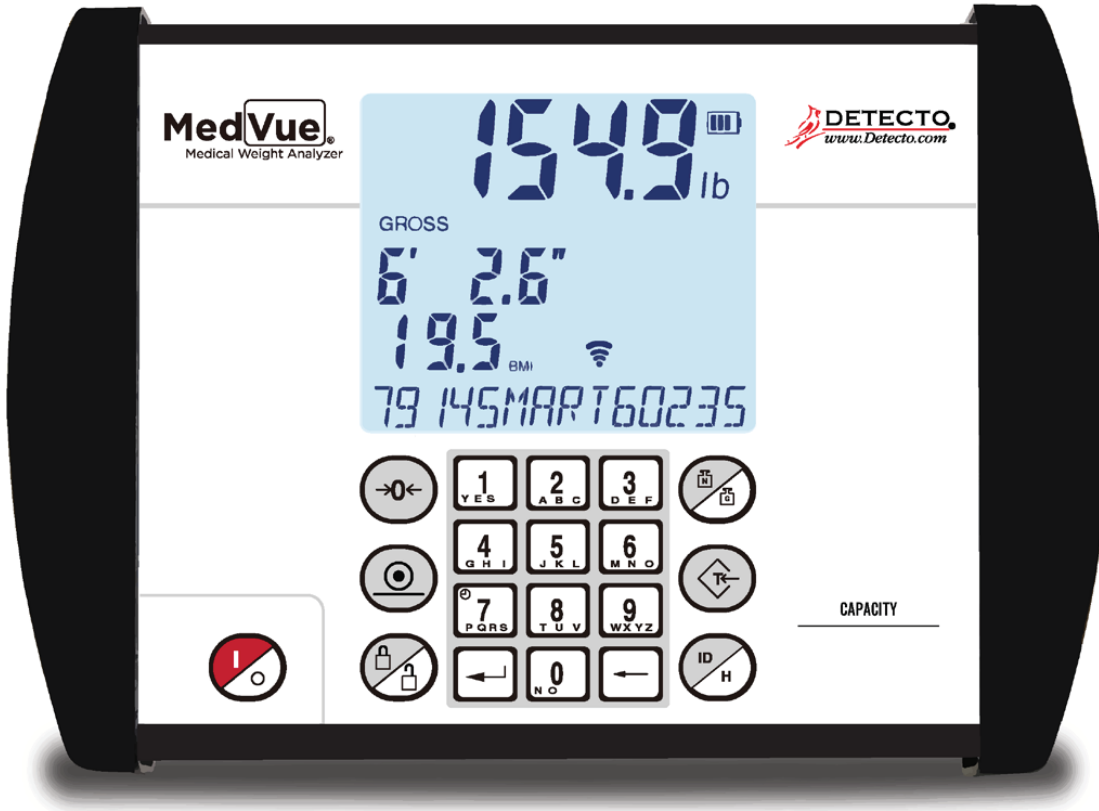
1. Press the **ON/OFF** key to turn on the indicator.
2. If required, press the **ZERO** key to zero the weight display.
3. Assist the patient on the scale.
4. When the weight is stable (STABLE ) annunciator will turn on), read the weight display.
5. Press the **HEIGHT** key.
6. If pounds was selected for the weighing units, the display will change to show  $5$  FEET,  $5$  INCHES with the 6 blinking. (*The blinking character is the position to be changed*).
  - a. Press the  $\uparrow$  or  $\downarrow$  keys until the desired height in inches is displayed.
  - b. Press the  $\leftarrow$  or  $\rightarrow$  key to move the blinking character to FEET.
  - c. Press the  $\uparrow$  or  $\downarrow$  keys until the desired height in feet is displayed.
  - d. Proceed to Step 8.
7. If kilograms was selected for the weighing units, the display will change to show  $170$  cm with the 0 of the 170 blinking. (*The blinking character is the position to be changed*).
  - a. Press the  $\uparrow$  or  $\downarrow$  keys until the desired number is displayed.
  - b. Press the  $\leftarrow$  or  $\rightarrow$  key to move to the next character to change.
  - c. Repeat steps A and B until the desired height in centimeters is displayed.
  - d. Proceed to Step 8.
8. Press the **HEIGHT** key and read the BMI on the display.
9. If a printer is connected to the scale, press the **PRINT** key to print a ticket.
10. Assist the patient off the scale.
11. Press the **HEIGHT** key to return to the normal weighing operation.

## OPERATION, CONT.

6854DHR, 6854KGEUDHR, 6857DHR, and 6857KGEUDHR



**ALWAYS** assist the patient in stepping on and off the scale platform to ensure they do not fall. **NEVER** leave a patient unattended while they are on the scale platform. Failure to maintain control of the patient at all times can result in severe injury to you and/or the patient.



### To Weigh

1. Set the scale on any hard, level, flat surface, or low-cut carpet.
2. Press the **ON/OFF** key to turn the indicator on.
3. If required, press the **ZERO** key to zero the weight display.
4. Assist the patient on the scale.
5. When the weight is stable (STABLE  $\blacktriangle\blacktriangleleft$  annunciator will turn on), read the weight display.
6. If a printer is connected to scale, press the **PRINT** key to print a ticket.
7. Assist the patient off the scale.

### Zero Weight Display

1. In the Gross Weight mode (GROSS annunciator on), press the **ZERO** key.
2. The weight display will return to zero. The ZERO and STABLE  $\blacktriangle\blacktriangleleft$  annunciators will turn on to show a stable, center-of-zero ( $\rightarrow 0 \leftarrow$ ) gross weight condition.

# OPERATION, CONT.

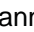
## 6854DHR, 6854KGEUDHR, 6857DHR, or 6857KGEUDHR

### To Weigh and Calculate BMI

#### Using a Mechanical Height Rod or Entering a Known Height

1. Press the **ON/OFF** key to turn the indicator on.
2. If required, press the **ZERO** key to zero weight display.
3. Perform tare operation if required.

**NOTE:** For instructions on using tare, refer to Push Button Tare or Tare Weight Entry in the MedVue MV1 Owner's Manual (8555-M512-O1) for the 6854DHR or 6857DHR or the MedVue MV2 Owner's Manual (8555-0530-0M) for the 6854KGEUDHR or 6857KGEUDHR.

4. Press the **ID/HEIGHT** key.
5. If Centimeters was selected for HEIGHT UNITS in setup, the display will change to show CENTIMETERS.
  - a. Use the numeric keys to enter up to 4 digits (# # # . #) for the height in centimeters and then press the **ENTER** key.
6. If Millimeters was selected for HEIGHT UNITS in setup, the display will change to show MILLIMETERS.
  - a. Use numeric keys to enter up to 4 digits (# # # #) for the height in millimeters and then press the **ENTER** key.
7. Assist the patient on the scale.
8. When the weight is stable (STABLE  annunciator will turn on), read the weight, height, and BMI displays.
9. If a printer is connected to the scale, press the **PRINT** key to print a ticket. Note that the BMI and height display will clear when the ticket prints.
10. Assist the patient off the scale.
11. If a printer is not connected to the scale, the BMI display will clear when the patient is assisted off the scale, and the weight returns to zero.

# MECHANICAL HEIGHT ROD INSTRUCTIONS

## Mechanical Height Rod Installation

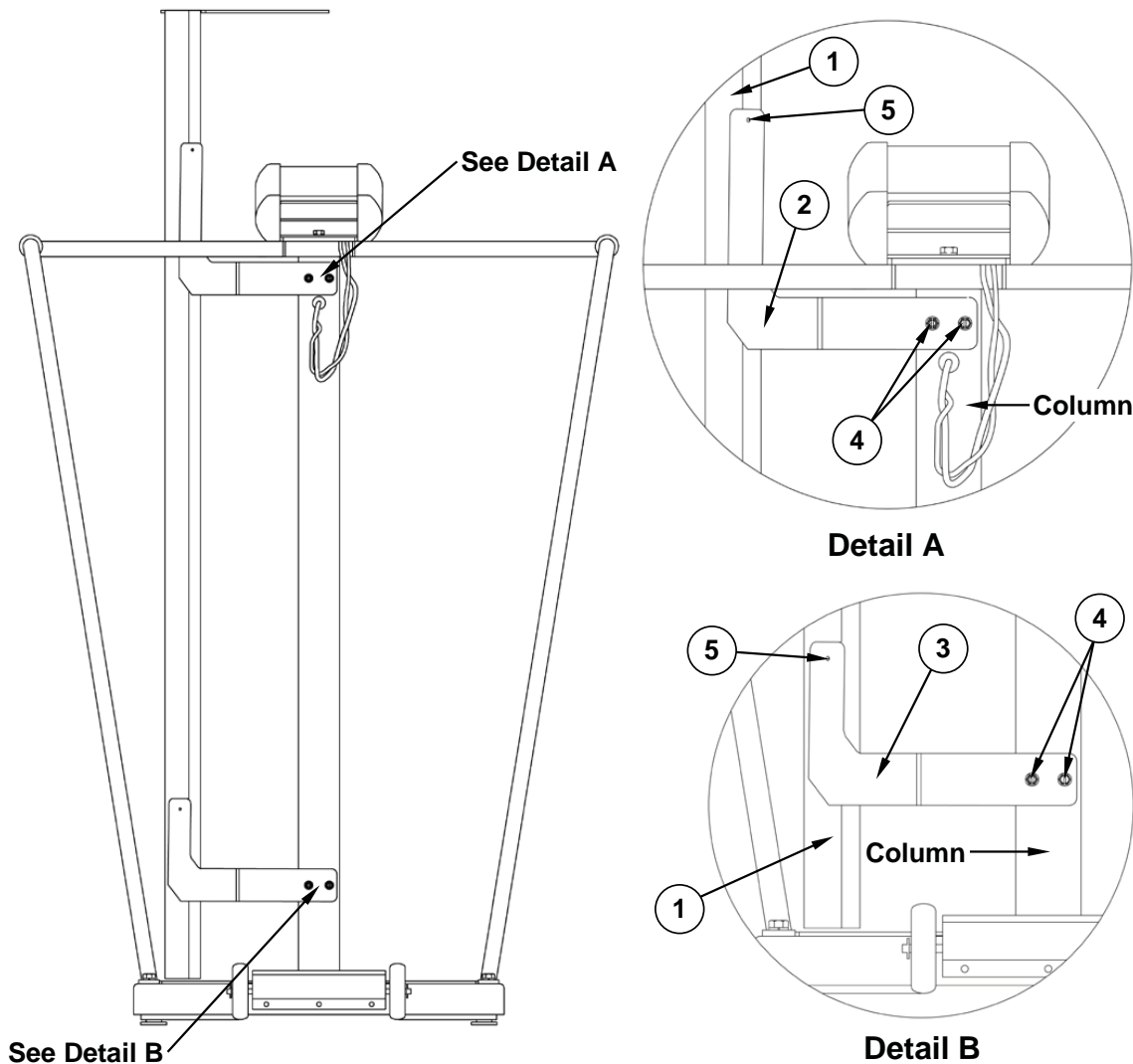
Before starting the installation, please unpack carefully and remove all plastic wrappings, foam fillers, and cardboard material. You should have the following components:

Item	Qty	Part Number	Description
1	1	0033-0542-0A	Detecto Mechanical Height Rod (MHR)
2	1	1930-0506-08	MHR Upper Bracket
3	1	1930-0505-08	MHR Lower Bracket
4	4	6021-1629	#10 x 3/4" Hex Head Sheet Metal Screws (brackets to column)
5	2	6021-1556	M4 x 0.7 x 5 Phillips Drive Pan Head Machine Screws (height rod to brackets)

1. Align the MHR upper bracket with the holes near the display in the back of the column and install two #10 x 3/4" hex head screws to secure the bracket to the column.
2. Align the holes in the MHR lower bracket with the lower holes in the column and install two #10 x 3/4" hex head sheet metal screws to secure the bracket to the column.
3. Install the two M4 x 0.7 x 5 Phillips drive pan head screws into the holes in the upper and lower brackets.

**NOTE:** Tighten the screws until the screw head is about 3/16" (5 mm) from the column.

4. Place both height rod brackets over the two M4 x 0.7 x 5 Phillips drive pan head screws in the column brackets and pull down to secure the MHR to the column.



## MECHANICAL HEIGHT ROD INSTRUCTIONS, CONT.

### Measuring Patient's Height

1. Before beginning the patient height measurement, make sure the spoon is rotated to the horizontal position, and raised well above the patient's apparent height.
2. While holding the spoon horizontal and above the patient's head, assist the patient on the scale platform.
3. Carefully lower the spoon, while keeping it horizontal, until the spoon rests on the top of the patient's head.

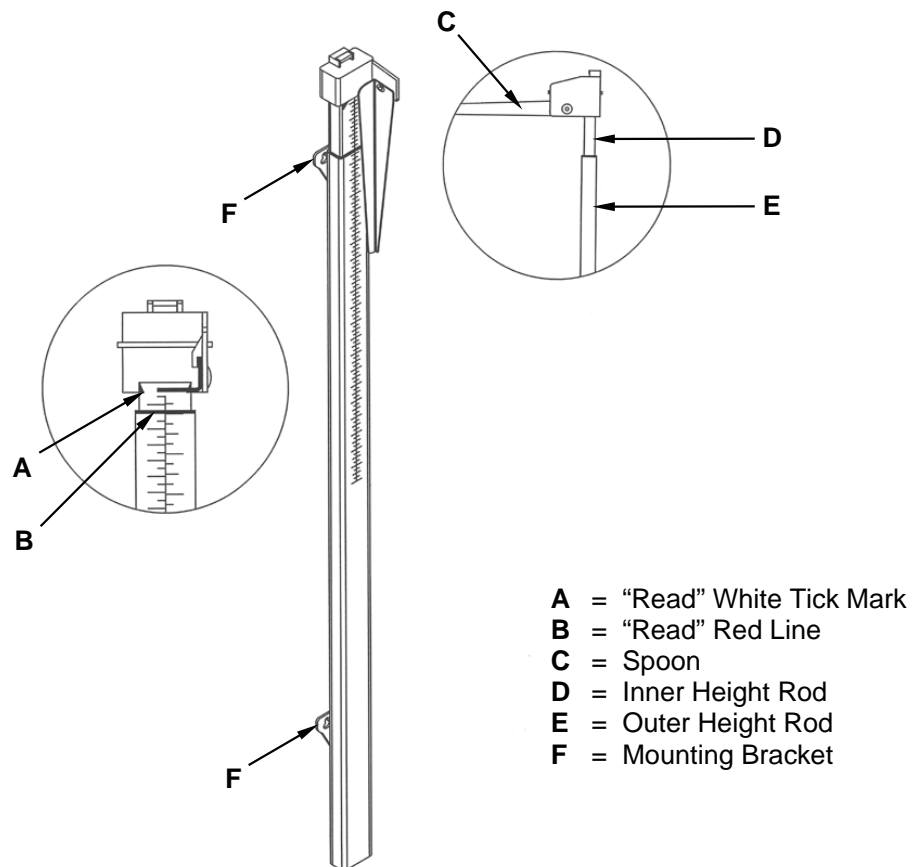
**NOTE:** If the patient is shorter than 3' 9 1/4" (114.9 cm), press the red button on the top of the height rod and carefully lower the spoon until the spoon rests horizontally on the top of the patient's head.

4. Read the height of the patient as follows:

*If the patient is shorter than 3' 9 1/4" (114.9 cm), the white tick marks and the back of the spoon point to the outer height rod, and the height is read on the outer height rod.*

*If the patient is taller than 3' 9 1/4" (114.9 cm), the red line on the outer height rod will align with values on the inner height rod, and the height is read on the inner height rod.*

5. While holding the spoon horizontally, raise the spoon well above the patient's head, and assist the patient off the scale platform. Make sure to hold the spoon horizontal until the patient is clear of the height rod.
6. Rotate the spoon back to the vertical position and adjust the height rod back to the rest position (i.e., the spoon should be locked in place to the inner height rod and the inner rod should be at its lowest position).



# DIGITAL HEIGHT ROD INSTRUCTIONS

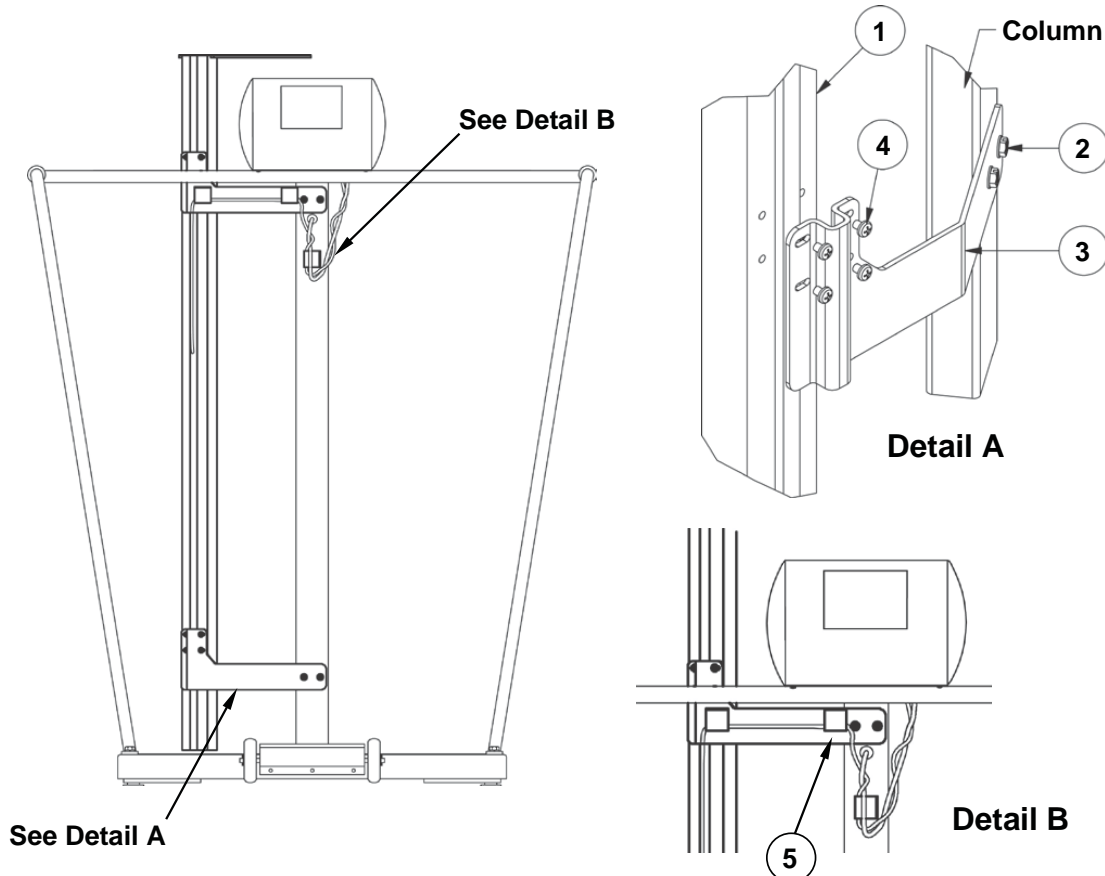
## Digital Height Rod Installation

Before starting the installation, please unpack carefully and remove all plastic wrappings, foam fillers, and cardboard material. You should have the following components:

Item	Qty	Description
1	1	Detecto Digital Height Rod (DHR)
2	4	#10 x 1/2" Hex Head Sheet Metal Screws (brackets to column)
3	2	Mounting Brackets
4	8	(2) M4 x 0.7 x 5 Phillips Drive Pan Head Machine Screws (height rod to brackets)
5	3	Cable Clip

1. Align a mounting bracket with the holes in the height rod (near the headpiece) and install four M4 x 0.7 x 4 Pan Head Machine screws to secure the bracket to the height rod.
2. Next, align the other mounting bracket with the lower holes in the height rod and install four M4 x 0.7 x 4 Pan Head Machine screws to secure the bracket to the height rod.
3. Align the mounting bracket (near the headpiece) with the holes in the back of the column close to the display and install two #10 x 1/2" Hex Head Sheet Metal screws to secure the bracket to the column.
4. Align the holes in the other bracket with the lower holes in the column and install two #10 x 1/2" Hex Head Sheet Metal screws to secure the bracket to the column.
5. Connect the cable from the DHR to the port on the rear of the indicator that is labeled Height Rod, routing the cable as shown in Detail B.

For additional information, refer to the MedVue MV1 Owner's Manual (8555-M512-O1) for the 6854DHR or 6857DHR, and the MedVue MV2 Owner's Manual (8555-0530-0M) for the 6854KGEUDHR or 6857KGEUDHR



## DIGITAL HEIGHT ROD INSTRUCTIONS, CONT.

### Measuring Patient's Height



The digital height rod must be in the “starting position” (*the inner sliding tube must be completely down inside the outer stationary tube and the headpiece folded flat against the stationary tube*) before turning on the indicator. If it is not in the “starting position”, the error message *999.9* will be displayed.

1. Make sure the height rod is in the starting position.
2. Press the **ON/OFF** key to turn the indicator on.
3. Press the **ZERO** key to zero the weight display. The ZERO, GROSS, and lb, oz, kg, or ST annunciator will turn on to show that the scale is ready for use.

**NOTE:** The height reading will show *3 - 7.3 FT-INCHES* or *110.0 cm* (depending on the Weighing Units Selection when the MedVue was turned on for the *first time*).

4. Assist the patient on the scale platform.
5. Grasp the height rod at the hinge pin and raise it well above the patient's head and then lift the headpiece to the horizontal position. Carefully lower the height rod until the headpiece rests on top of the patient's head.

**NOTE:** If the patient is under 3 ft., 7.3 in (110 cm) or over 6 ft., 7.1 in (201 cm) return the digital height rod to the “starting position” and manually\* enter the patient's height.

6. BMI will automatically be displayed with height.
7. Read the weight, height, and BMI displays.
8. While holding the headpiece horizontal, raise the height rod well above the patient's head.
9. Assist the patient off the scale platform.
10. Return the height rod to starting position.
11. The BMI display clears when the weight returns to zero.

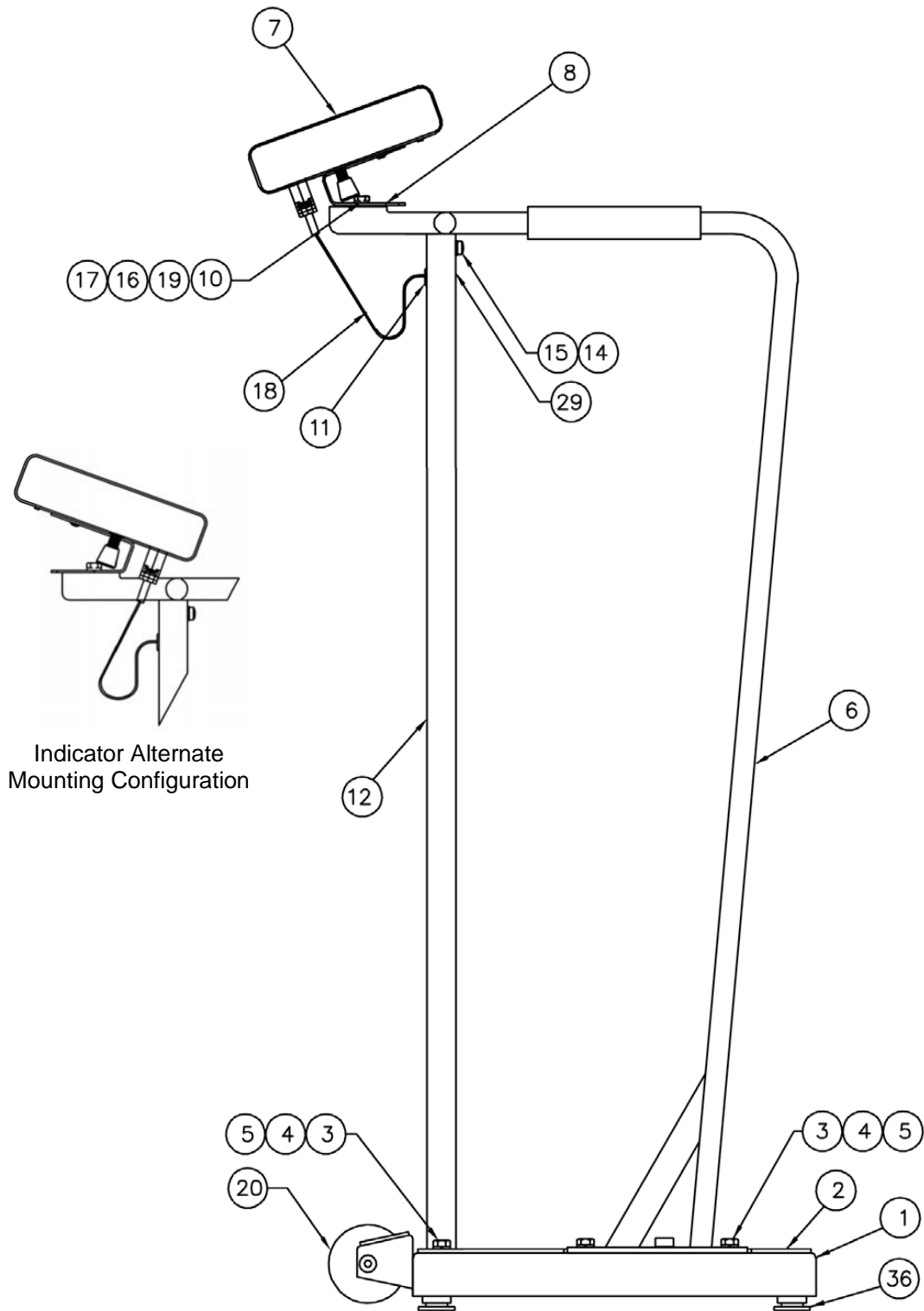


**Grasp at Hinge Pin**

\*Refer to **OPERATION, 6854DHR, 6854KGEUDHR, 6857DHR, or 6857KGEUDHR, To Weigh and Calculate BMI Using a Mechanical Height Rod or Entering a Known Height** section for instructions on manually entering the patient's height.

# PART IDENTIFICATION

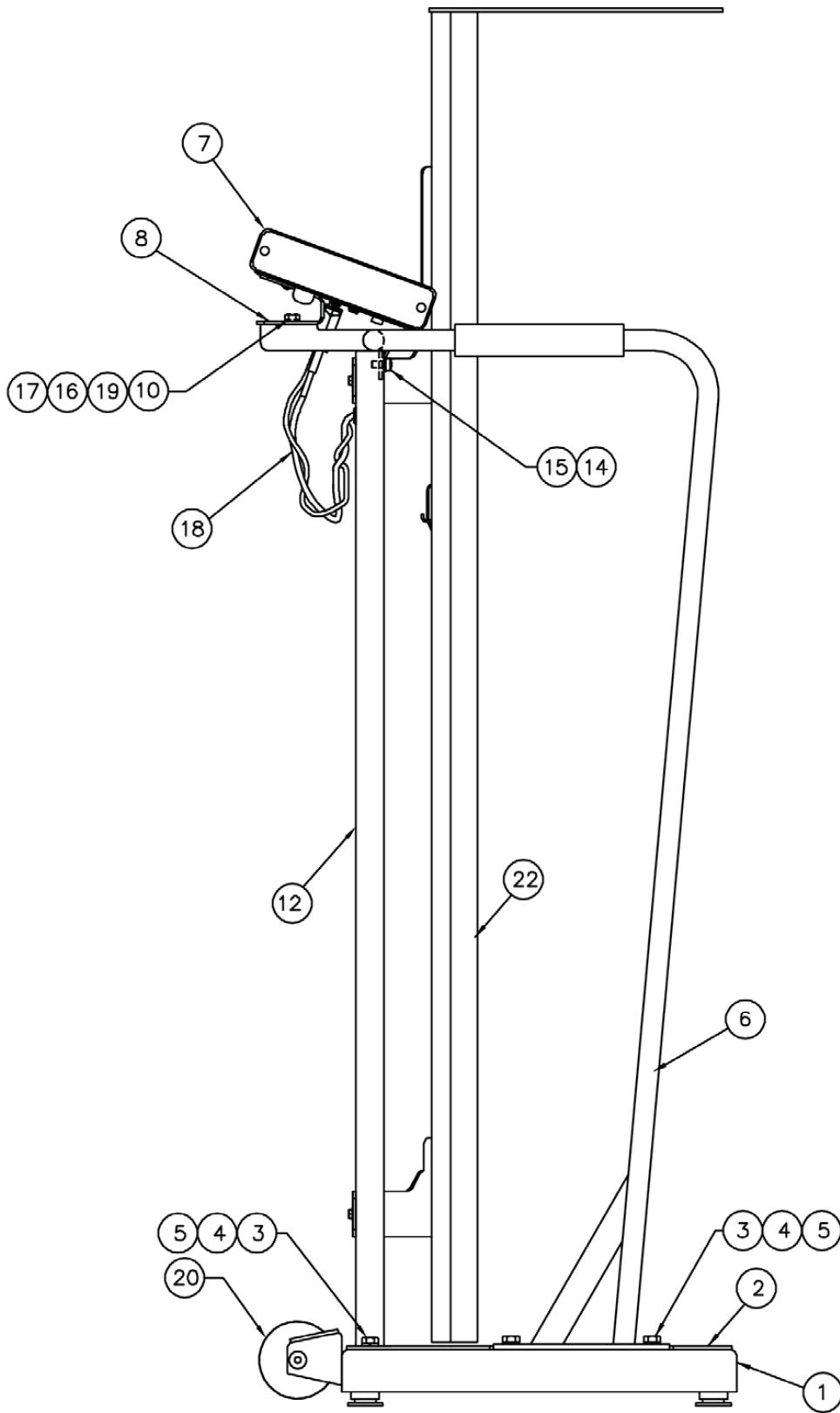
## 6855 Side View





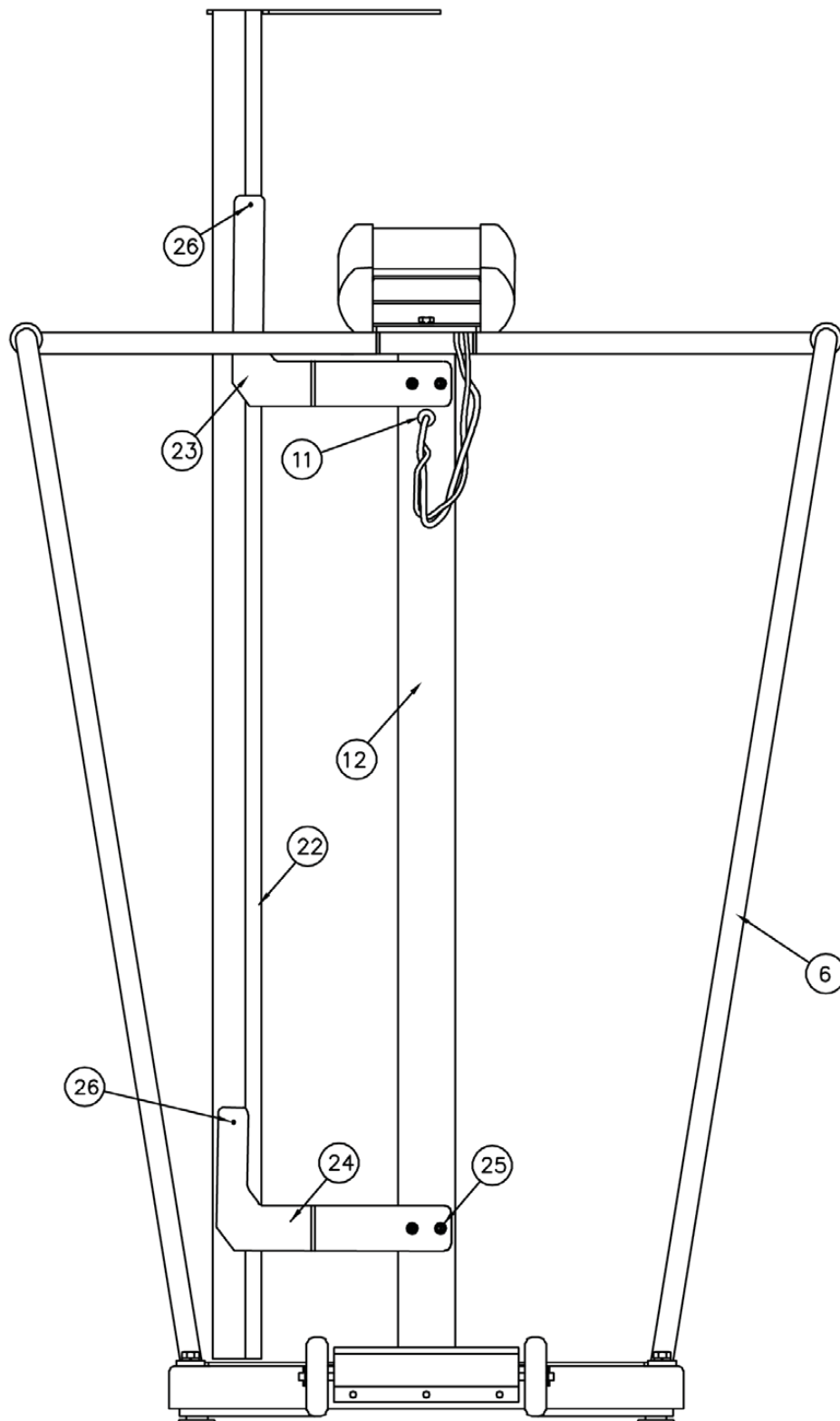
# PART IDENTIFICATION, CONT.

## 6855MHR Side View



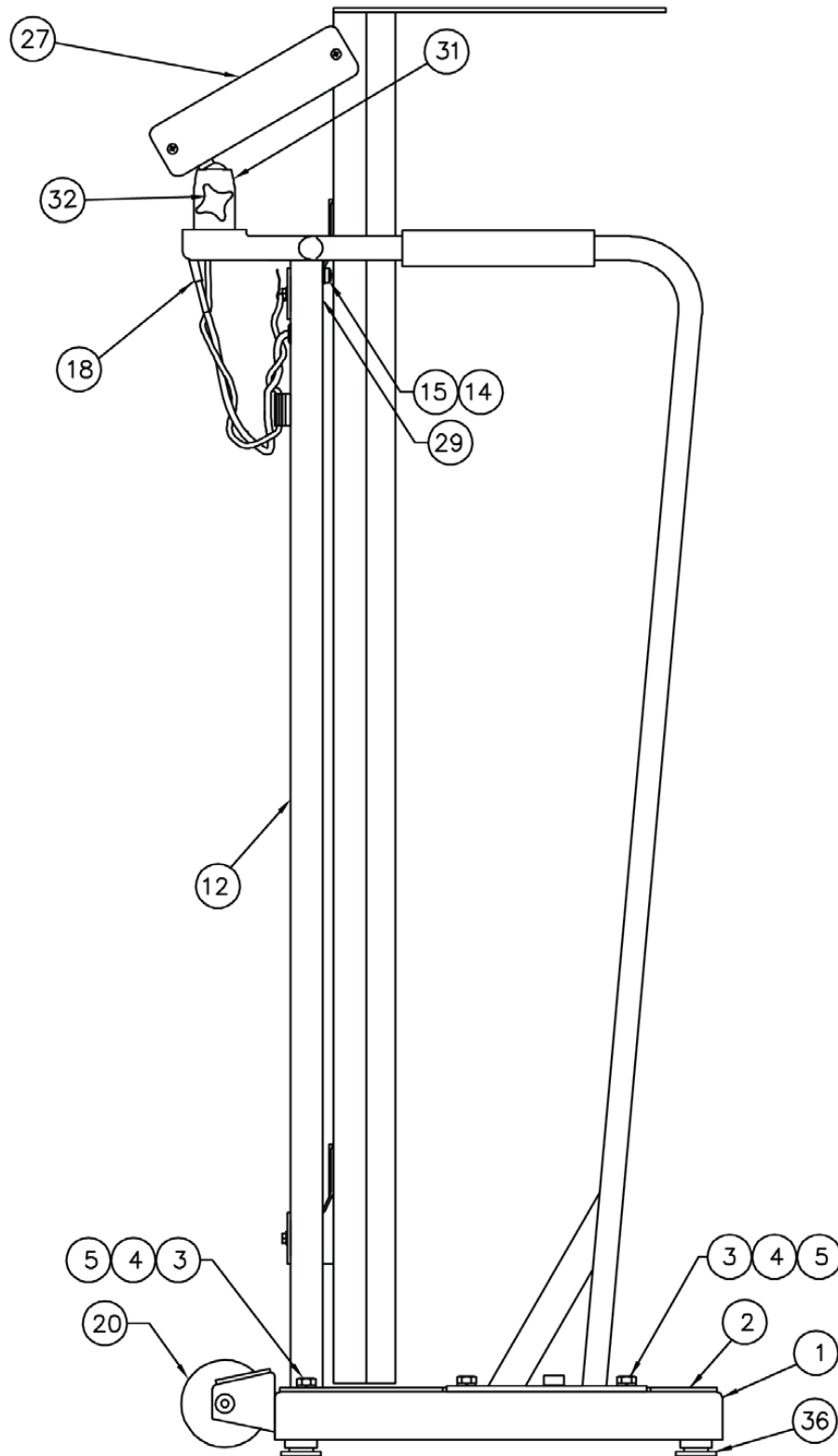
# PART IDENTIFICATION, CONT.

## 6855MHR Back View



# PART IDENTIFICATION, CONT.

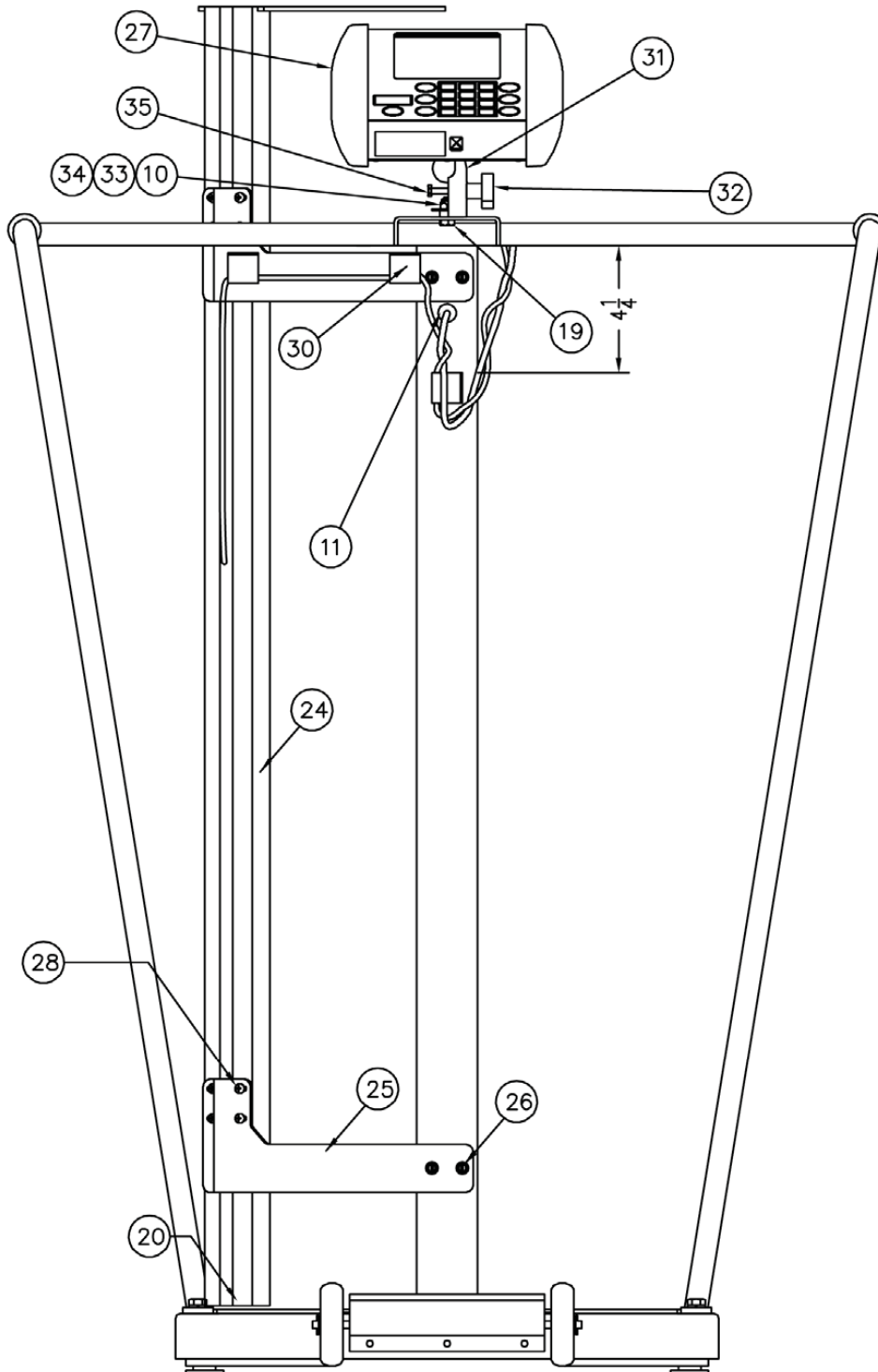
## 6854DHR Side View



# PART IDENTIFICATION, CONT.

## 6854DHR Back View

VIEW SHOWN W/ ONE LESS MOUNT (ITEM 31)





## PART IDENTIFICATION, CONT.

### 6855/6854DHR Parts List

The following are used on ALL models:

ITEM #	QTY	PART NUMBER	DESCRIPTION
1	1	1930-D330-0A	WEIGHBRIDGE ASSY
2	1	1930-C338-08	MAT W/ADHESIVE
3	6	6007-0034	HEX HEAD SCREW, 5/16-18 UNC-2A X 3/4"
4	6	6024-0050	LOCK WASHER, 5/16"
5	6	6013-0275	HEX NUT, 5/16-18 UNC-2B
6	1	1930-C143-0A	HANDRAIL ASSEMBLY
9	4	6021-0665	MACHINE SCREW, #6-32 X .375 PAN HD PHILLIP DR
10	1	391RV204	ELASTIC STOP NUT
11	1	6680-1043	GROMMET
12	1	1930-B336-1A	COLUMN ASSEMBLY
13	1	1930-C337-08	COVER
14	1	6024-0047	EXT STAR WASHER, 1/4"
15	1	6021-2037	BINDING HEAD SCREW, .25-20 X .50
16	1	0033-B110-08	UHMW DISK
17	1	6024-0004	FLAT WASHER, 1/4" DIAMETER STAINLESS STEEL
18	1	1930-B428-0A	CABLE
19	1	6021-1454	HEX HEAD BOLT, 1/4-20 UNC-2A X 3/4"
20	1	0033-C090-0A	WHEEL ASSY.
21	2	6013-0045	HEX NUT, 1/4-20 UNC
29	1	6650-0087	LABEL, MADE IN USA (WITH FLAG)
36	4	0065-B108-08	FOOT, ALUMINUM
37	4	LFB-250M	LOAD CELL, SHEAR BEAM, 125 KG, SS

The following are used ONLY on the 6855:

7	REF	750	DIGITAL INDICATOR
8	1	0033-B438-0A	MTG BRKT ASSY – 750

The following is used ONLY on the 6855MHR:

22	1	0033-0531-0A	RETROFIT HEIGHT ROD
----	---	--------------	---------------------

The following are used ONLY on the 6854DHR:

24	1	DHR	DETECTO DIGITAL HEIGHT ROD
25	2	1930-C475-08	DHR BRACKET
26	4	6021-1629	SCW HX-HD, COMBO SHEET-METAL, #10 X 3/4
27	REF	MV1	WEIGHT INDICATOR FOR CLINICAL SCALES
28	8	6021-1556	PAN-HD MACHINE-SCW, M4 X 0.7X5, PHILLIPS DRV
30	3	6610-5007	CABLE CLIP, 1" X 1" GREY

The following is used ONLY on the 6855KGEU:

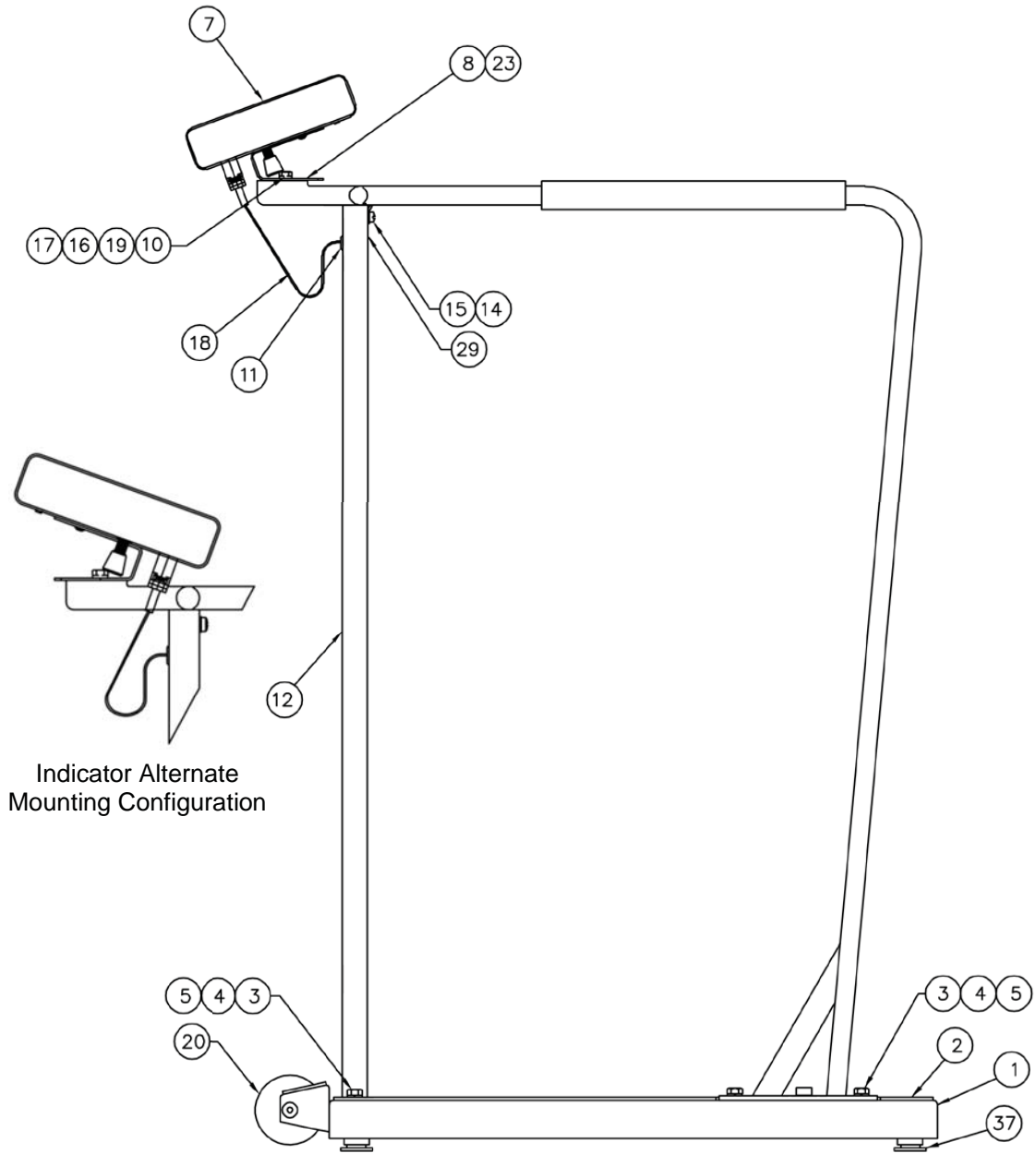
27	REF	MV2	DIGITAL INDICATOR
----	-----	-----	-------------------

The following are used on both the 6855KGEU and 6854DHR:

31	2	8555-C508-08	MOUNT
32	1	6540-1053	ENCLOSURE KNOB, 1.25 DIA, 10-32 INSERT
33	1	6680-0250	SPACER, NYLON, .26 ID X .50 OD X .187 LG
34	1	6024-1066	FLAT WASHER, 1/4 X 1 X 1 1/16 THK Z/P
35	1	6021-0950	HEX-HEAD SCREW, 10-32 X 1.50 Z/P

# PART IDENTIFICATION, CONT.

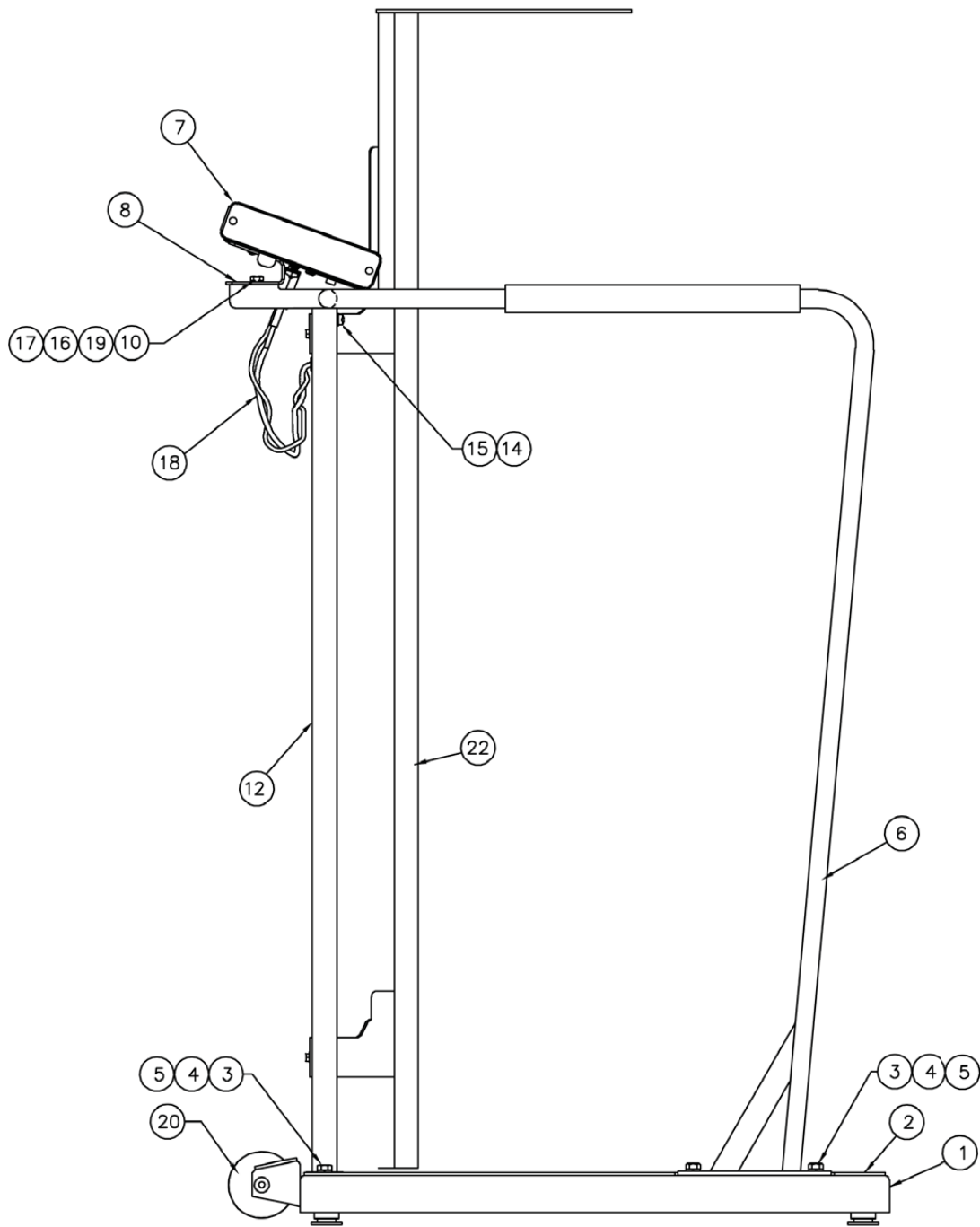
## 6856 Side View



Indicator Alternate  
Mounting Configuration

# PART IDENTIFICATION, CONT.

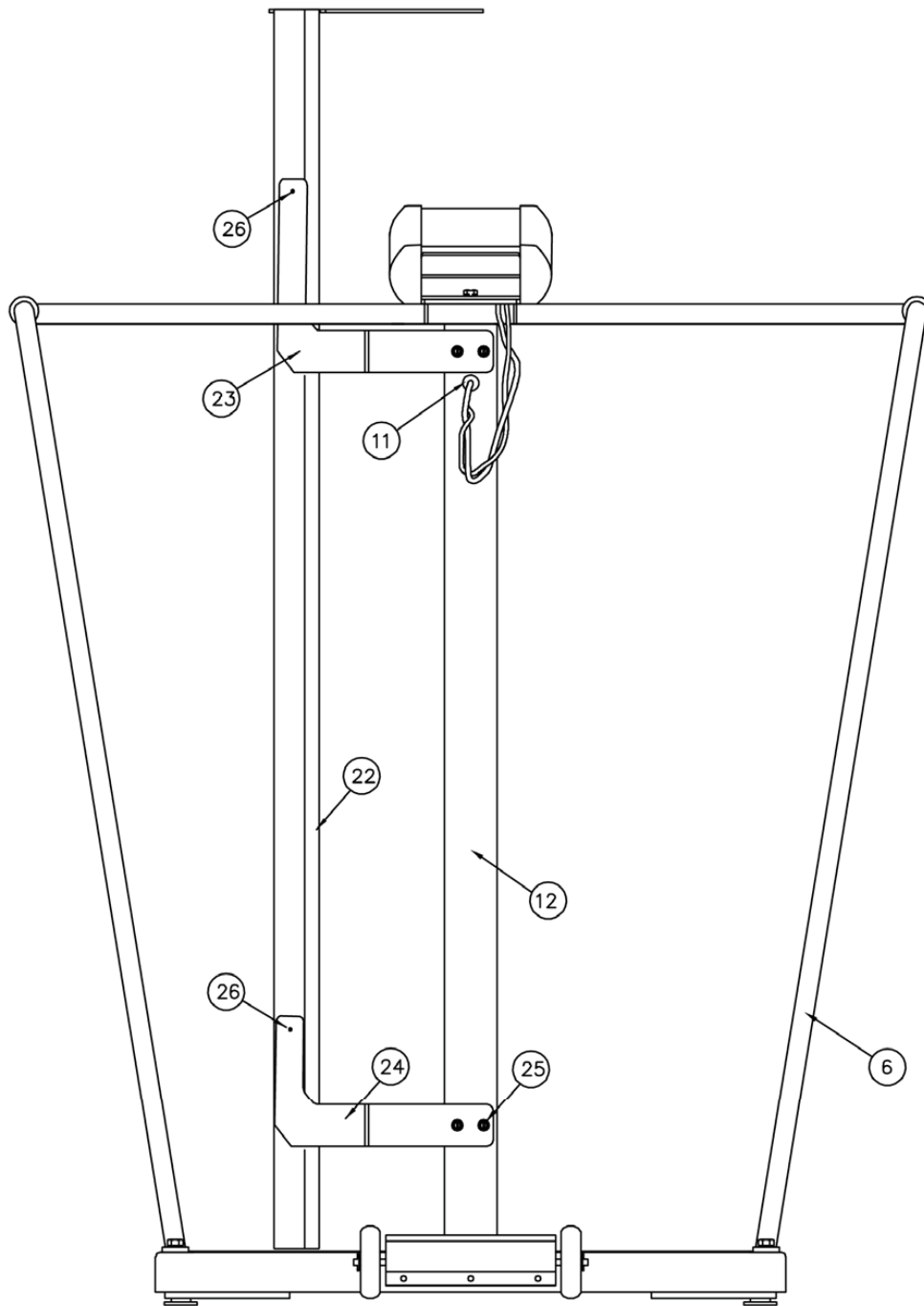
## 6856MHR Side View





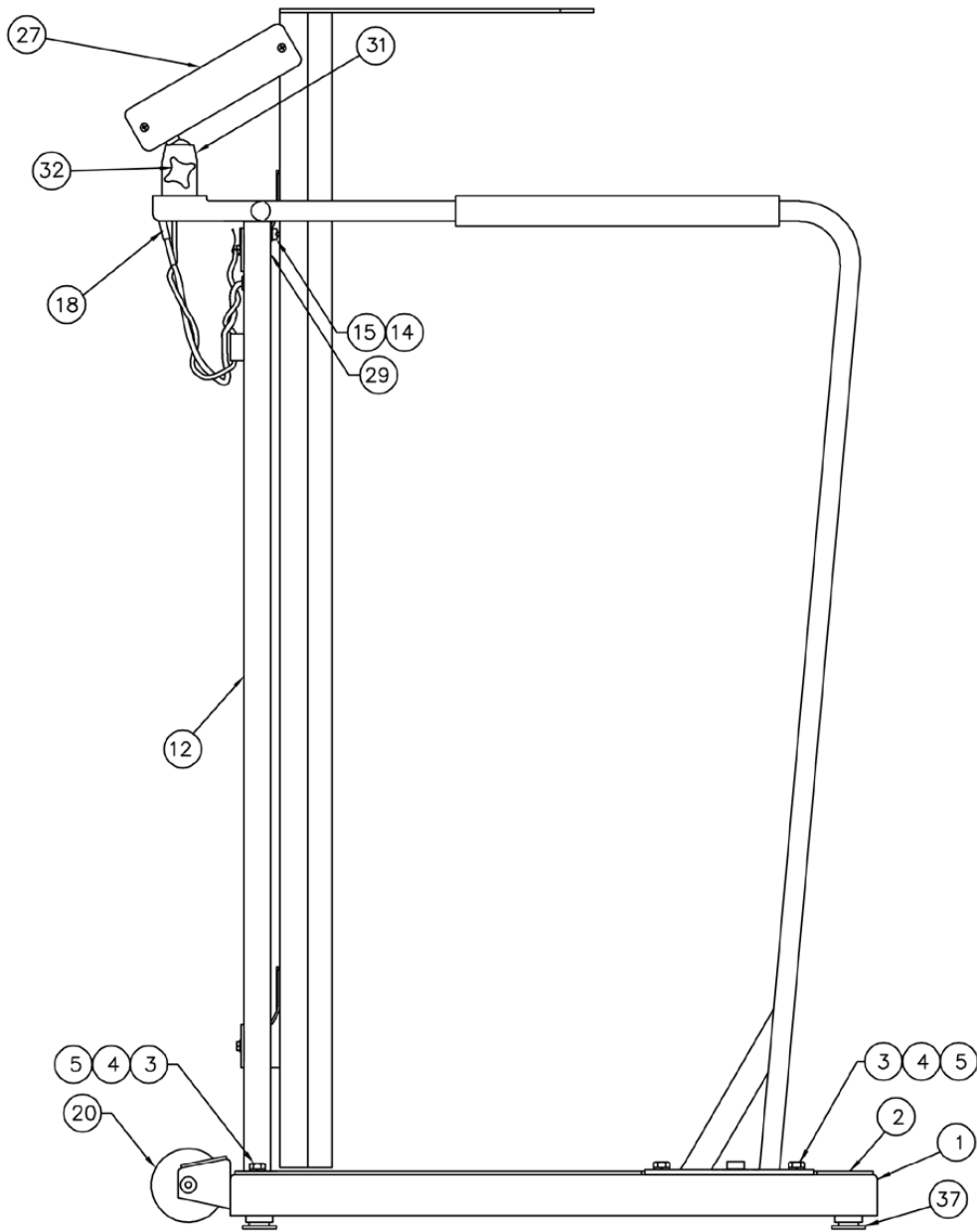
# PART IDENTIFICATION, CONT.

## 6856MHR Back View



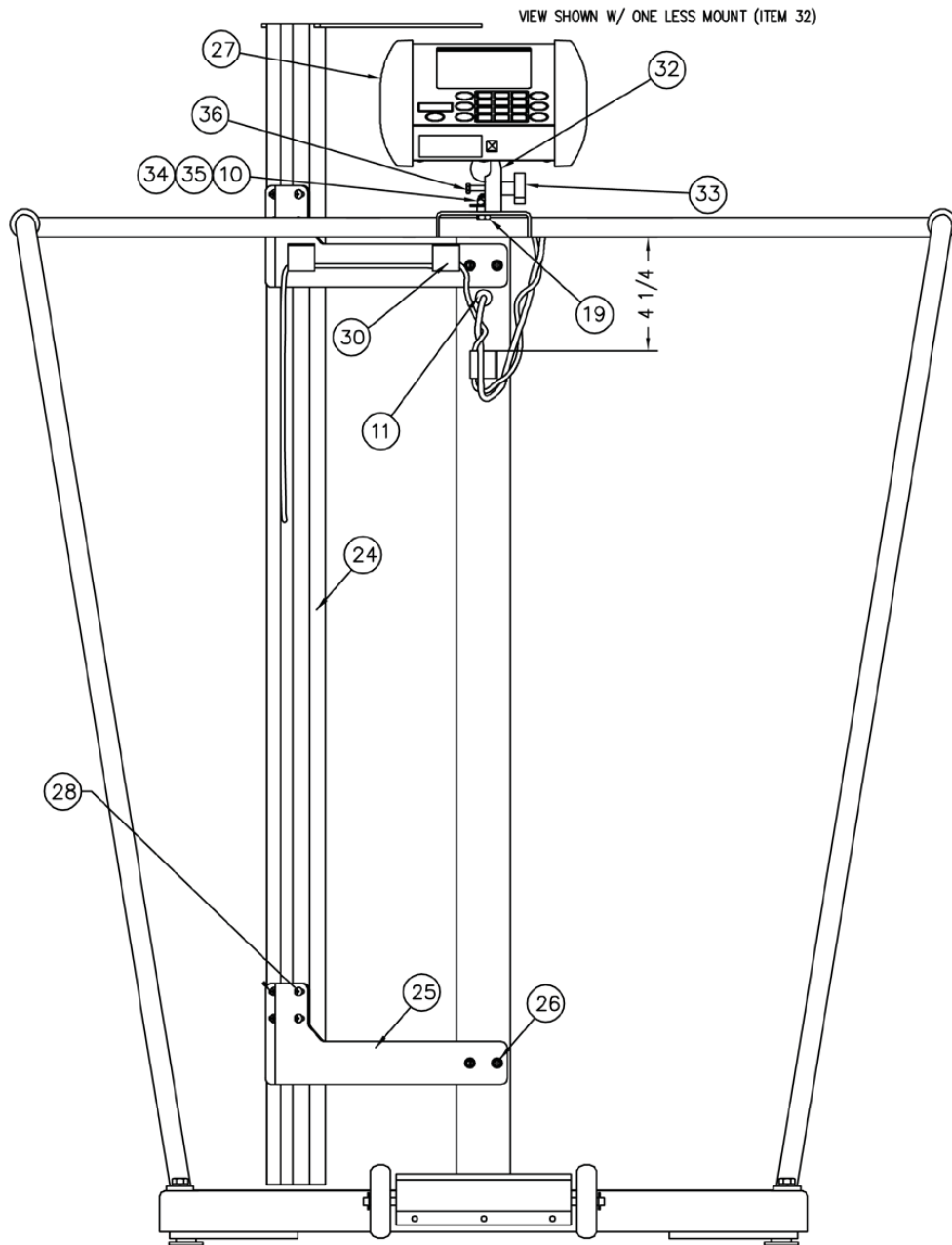
# PART IDENTIFICATION, CONT.

## 6857DHR Side View



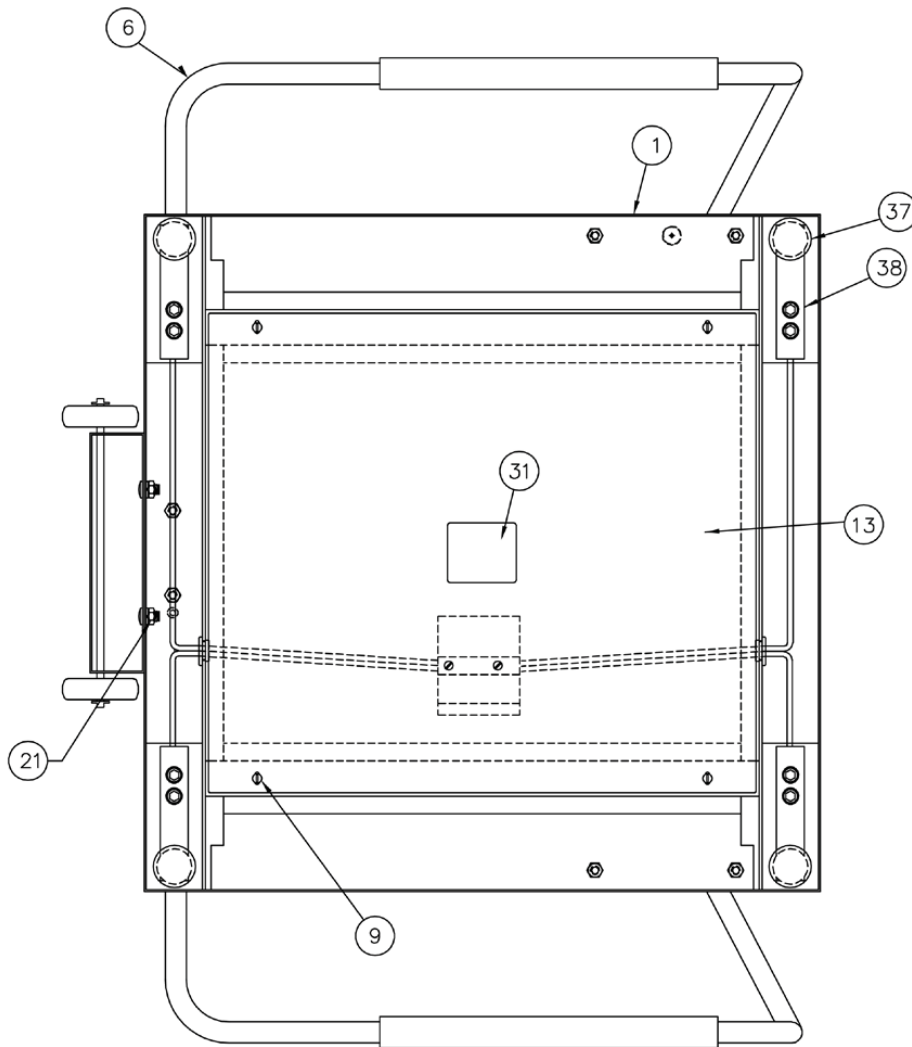
# PART IDENTIFICATION, CONT.

## 6857DHR Back View

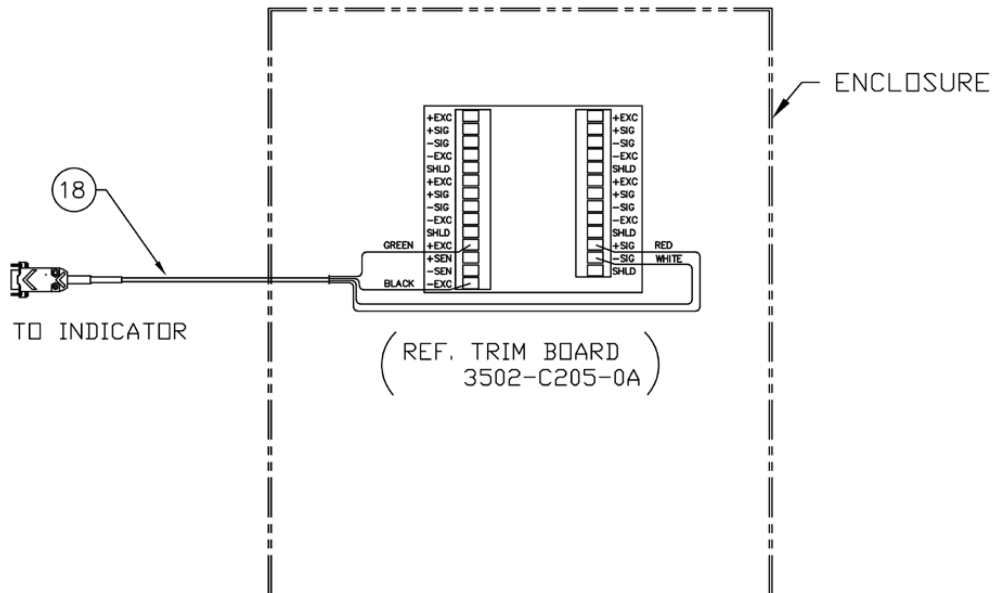


# PART IDENTIFICATION, CONT.

## 6856/6856MHR/6857DHR Bottom View



## 6856/6856MHR/6857DHR Trim Board



# PART IDENTIFICATION, CONT.

## 6856/6857DHR Parts List

The following are used on ALL models:

ITEM #	QTY	PART NUMBER	DESCRIPTION
1	1	1930-D445-0A	WEIGHBRIDGE ASSY
2	1	1930-C452-08	MAT W/ADHESIVE
3	6	6007-0034	HEX HEAD SCREW, 5/16-18 UNC-2A X 3/4"
4	6	6024-0050	LOCK WASHER, 5/16"
5	6	6013-0275	HEX NUT, 5/16-18 UNC-2B
6	1	1930-C450-0A	HANDRAIL ASSEMBLY
9	4	6021-0665	MACHINE SCREW, #6-32 X .375 PAN HD PHILLIP DR
10	1	391RV204	ELASTIC STOP NUT
11	1	6680-1043	GROMMET
12	1	1930-B336-1A	COLUMN ASSEMBLY
13	1	1930-C451-08	COVER
14	1	6024-0047	EXT STAR WASHER, 1/4"
15	1	6021-2037	BINDING HD SCW, .25-20 X .50
16	1	0033-B110-08	UHMW DISK
17	1	6024-0004	FLAT WASHER, 1/4" DIA SS
18	1	1930-B428-0A	CABLE
19	1	6021-1454	HEX HEAD BOLT, 1/4-20 UNC-2A X 3/4"
20	1	0033-C090-0A	WHEEL ASSY.
21	2	6013-0045	HEX NUT, 1/4-20 UNC
29	REF	5930-B137-08	LABEL
31	REF	593GR986	SERIAL TAG
37	4	0065-B108-08	FOOT, ALUMINUM
38	4	LFB-250M	LOAD CELL, SHEAR BEAM, 125 KG, SS

The following are used ONLY on the 6856:

7	REF	750	DIGITAL INDICATOR
8	1	0033-B438-0A	MTG BRKT ASSY – 750

The following is used ONLY on the 6856MHR:

22	1	0033-0531-0A	RETROFIT HEIGHT ROD
----	---	--------------	---------------------

The following are used ONLY on the 6857DHR:

24	1	DHR	DETECTO DIGITAL HEIGHT ROD
25	2	1930-C475-08	DHR BRACKET
26	4	6021-1629	SCW HX-HD, COMBO SHEET-METAL, #10 X 3/4
27	REF	MV1	WEIGHT INDICATOR FOR CLINICAL SCALES
28	8	6021-1556	PAN-HD MACHINE-SCW, M4 X 0.7X5, PHILLIPS DRV
30	3	6610-5007	CABLE CLIP, 1" X 1" GREY

The following is used ONLY on the 6856KGEU:

27	REF	MV2	DIGITAL INDICATOR
----	-----	-----	-------------------

The following are used on both the 6856KGEU and 6857DHR:

32	2	8555-C508-08	MOUNT
33	1	6540-1053	ENCLOSURE KNOB, 1.25 DIA, 10-32 INSERT
34	1	6680-0250	SPACER, NYLON, .26 ID X .50 OD X .187 LG
35	1	6024-1066	FLAT WASHER, 1/4 X 1 X 1 1/16 THK Z/P
36	1	6021-0950	HEX-HEAD SCREW, 10-32 X 1.50 Z/P

# STATEMENT OF LIMITED WARRANTY

DETECTO warrants its equipment to be free from defects in material and workmanship as follows: DETECTO warrants to the original purchaser only that it will repair or replace any part of equipment which is defective in material or workmanship for a period of **two (2) years from date of shipment**. Detecto shall be the sole judge of what constitutes a defect.

During the **first ninety (90) days** DETECTO may choose to replace the product at no charge to the buyer upon inspection of the returned item.

**After the first ninety (90) days**, upon inspection of the returned item, DETECTO will repair or replace it with a remanufactured product. The customer is responsible for paying for the freight both ways.

This warranty does not apply to peripheral equipment not manufactured by DETECTO; this equipment will be covered by certain manufacturer's warranty only.

This warranty does not include replacement of expendable or consumable parts. This does not apply to any item which has deteriorated or damaged due to wear, accident, misuse, abuse, improper line voltage, overloading, theft, lightning, fire, water or acts of God, or due to extended storage or exposure while in purchaser's possession. This warranty does not apply to maintenance service. Purchased parts will have a ninety (90) day repair or replacement warranty only.

DETECTO may require the product to be returned to the factory; item(s) must be properly packed and shipping charges prepaid. A return authorization number must be obtained for all returns and marked on the outside of all returned packages. DETECTO accepts no responsibility for items lost or damaged in transit.

## Conditions Which Void Limited Warranty

This warranty shall not apply to equipment which:

- A.) Has been tampered with, defaced, mishandled or has had repairs and modifications not authorized by DETECTO.
- B.) Has had serial number altered, defaced, or removed.
- C.) Has not been properly grounded according to Detecto's recommended procedure.

## Freight Carrier Damage

Claims for equipment damaged in transit must be referred to the freight carrier in accordance with freight carrier regulations.

This warranty sets forth the extent of our liability for breach of any warranty or deficiency in connection with the sale or use of the product. DETECTO will not be liable for consequential damages of any nature, including but not limited to, loss of profit, delays or expenses, whether based on tort or contract. Detecto reserves the right to incorporate improvements in material and design without notice and is not obligated to incorporate improvements in equipment previously manufactured.

The foregoing is in lieu of all other warranties, express or implied including any warranty that extends beyond the description of the product including any warranty of merchantability or fitness for a particular purpose. This warranty covers only those DETECTO products installed in the forty-eight (48) contiguous continental United States.



Ph. (800) 641-2008  
E-mail: [detecto@cardet.com](mailto:detecto@cardet.com)  
102 E. Daugherty  
Webb City, MO 64870

04/22/2024  
Printed in USA  
D268-WARRANTY-DET-B





*DETECTO*  
*102 E. Daugherty, Webb City, MO 64870 USA*  
*Ph: 417-673-4631 or 1-800-641-2008*  
*Fax: 417-673-2153*  
*www.Detecto.com*  
*Technical Support: 1-866-254-8261*  
*E-mail: tech@cardet.com*