

# DETECTO®

## 475 SERIES MECHANICAL CHAIR SCALES

- Up to 450 lb or 175 kg Capacity
- Plastic-molded Seat Provides Patient Comfort
- Fold-up Footrest
- Lift-away Armrests
- No Power Required
- Integral Wheels and Guide Handle for Transport
- Sturdy Steel Construction



### TIME-TESTED WEIGHBEAM

DETECTO's mechanical weighbeam is world-renowned for its high accuracy and long-term dependability over decades of use.



### LIFT-AWAY ARMRESTS

The armrests on both sides of the scale lift away to allow the patient to access the chair laterally from a wheelchair or bed.



### FOLD-UP FOOTREST

The chair scale's fold-up footrest provides additional patient support while weighing and retracts out of the way when not in use.

# DETECTO CHAIR SCALES HELP KEEP PATIENTS SECURE WHILE ACHIEVING OPTIMAL WEIGHING ACCURACY

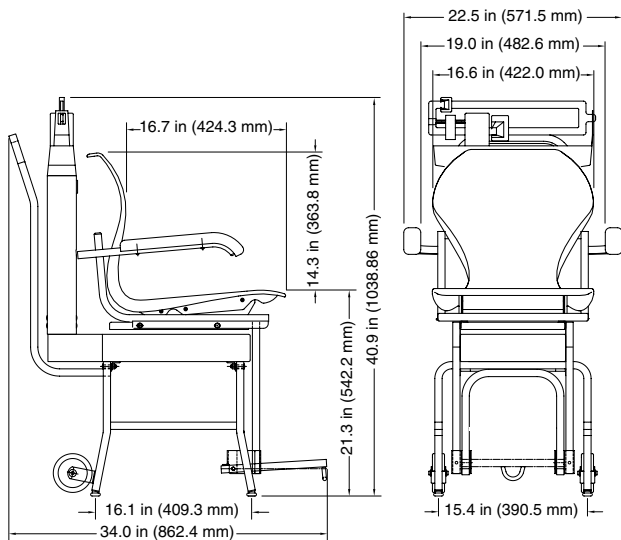


| Model           | 475                                  | 4751                           |
|-----------------|--------------------------------------|--------------------------------|
| Capacity        | 450 lb x 4 oz                        | 440 lb X 4 oz / 175 kg X 100 g |
| Construction    | White baked-on, powder-painted steel |                                |
| Shipping Weight | 78 lb / 35 kg                        |                                |
| UPC             | 809161137903                         | 809161138009                   |



DETECTO's chair scales arrive fully assembled and ready for weighing use. These chair scales are of great benefit to disabled patients, dialysis patients, and elderly patients since they relieve any of the stress involved in the act of standing during the traditional weighing process by providing a place for the patient to sit comfortably while weighing.

DETECTO's chair scales are ideal for clinics, hospitals, and physician offices. Lift-away armrests on both sides of the scale allow patients to access the chair laterally from either direction. Quality steel construction is apparent throughout the scale, especially in the heavy-duty understructure which is designed for optimal strength and patient safety.



### READABLE FROM BOTH SIDES

The weighbeam is imprinted on both sides, so the nurse can read the patient's weight from either side, front or back.



### PORTABLE WITH WHEELS

DETECTO chair scales feature built-in wheels and a transport handle, so they may be rolled wherever your weighing needs are located.

*DETECTO reserves the right to improve, enhance, or modify features and specifications without prior notice.*



102 East Daugherty St., Webb City, MO 64870 USA  
Toll-Free: (800) 641-2008 E-mail: [detecto@cardet.com](mailto:detecto@cardet.com)  
[www.Detecto.com](http://www.Detecto.com)

### SOLD BY: