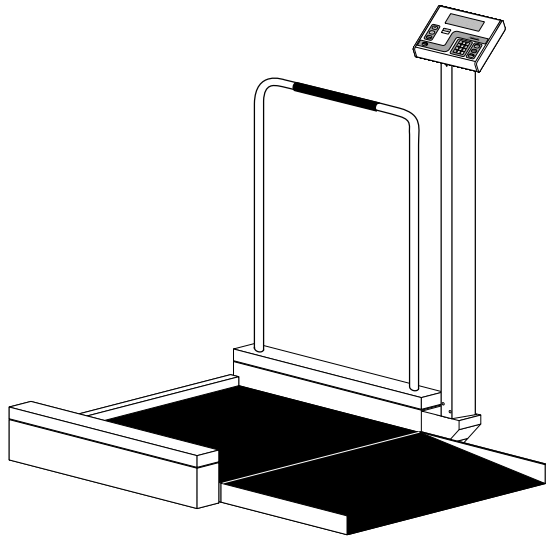


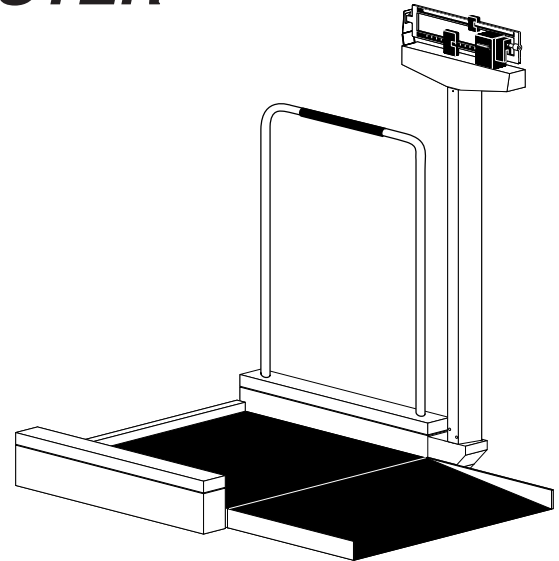


**PRODUCT SPECIFICATIONS**

**Detecto's Floor Huggers Makes Weighing Immobile Patients EASIER and FASTER**



**Dual Capacity Digital Model 6495**



**Mechanical Pound Model 495/ Kilogram Model 4951**

The 6495 offers speed and increased accuracy that only electronic digital weighing can provide - weight in pounds or kilograms at the press of a button. The weight display is mounted on tilt mount which permits the indicator to be angled for easy viewing. A keypad for entry of known empty chair weights is also provided, this giving the exact weight of the patient accurately and instantly in large .7" digits.

- Capacity:** 400 lb x .2 lb/180 kg x .1 kg
- Platform:** 30"L x 26"W x 2"H with nonskid mat removable ramp
- Digital Display:** .7" high, LCD readout, lb/kg selector switch
- Keypad Tare:** Permits entry of known wheelchair weight.
- Power:** 6 "C" size batteries
- Color:** White
- Shipping Weight:** 177 lb

These mechanical beam scales provide the economic answer to weighing of patients in wheelchairs. Quality is enhanced by a precision die-cast weigh beam which is easily read from either side. The weight beam is located at a height above the platform where patient or attendant can perform the weighing operation.

- Capacity - 495:** 400 lb x 4 oz
- 4951:** 180 kg x 100 g
- Platform:** 30"L x 26"W x 2"H with nonskid mat removable ramp
- Color:** White
- Shipping Weight:** 194 lb

Die-cast, dual sided beam, graduated in 1/4 lb (.1 kg) increments for easy readability.



Cardinal Scale reserves the right to improve, modify, or enhance features and specifications without prior notice.

