

DETECTO®



6475 SERIES

DIGITAL CHAIR SCALES

- Up to 400 lb / 180 kg Capacity
- Clinical Accuracy to 0.2 lb / 0.1 kg
- Plastic-molded Seat for Patient Comfort
- Units Locking Into Pounds or Kilograms for Safe Dosages
- Lock/Release Key for Viewing Weight After Patient Leaves the Scale
- Integral Wheels and Guide Handle for Transport
- Wi-Fi/Bluetooth Models Available for Wireless EMR/EHR Connectivity
- Sturdy Steel Construction
- Battery or AC Power



Bluetooth™

Wi-Fi/Bluetooth connectivity available on some models



EASY-TO-USE INDICATOR

The ¾-inch-high LCD displays large bold readouts and also provides Body Mass Index calculation.



LIFT-AWAY ARMRESTS

The armrests on both sides of the scale lift away to allow the patient to access the chair laterally from a wheelchair or bed.



FOLD-UP FOOTREST

The chair scale's fold-up footrest provides additional patient support while weighing and retracts out of the way when not in use.

DETECTO'S 6475 SERIES CHAIR SCALES PROVIDE DIGITAL SPEED AND ACCURACY WHILE PATIENTS ARE SEATED IN COMFORT



Model	6475	6475-AC	6475-C	6475-C-AC	6475K
Capacity	400 lb x 0.2 lb / 180 kg x 0.1 kg				180 kg x 0.1 kg
AC Adapter	●		●		
Display	Six-digit, seven segment, 0.7 inch / 17.8 mm high LCD				
Power	Six "AA" Alkaline, Ni-Cad or NiMH batteries (not included) OR an optional 100 to 240V AC 50/60Hz 12V DC 1A wall plug-in UL/CSA listed (Cardinal part number 6800-1045).				
AC Power Adapter	Models are available with the AC adapter included.				
Keyboard	Membrane type with 5 keys and 4 directional arrows				
Connectivity	RS232	RS232	Wi-Fi / Bluetooth	Wi-Fi / Bluetooth	RS232
Shipping Weight	78 lb / 35 kg				
UPC	809161138207	809161322903	809161320107	809161323009	809161138306

QUALITY CONSTRUCTION

Quality sturdy steel construction is apparent throughout the scale, especially in the heavy-duty understructure which is designed for optimal strength and patient safety.

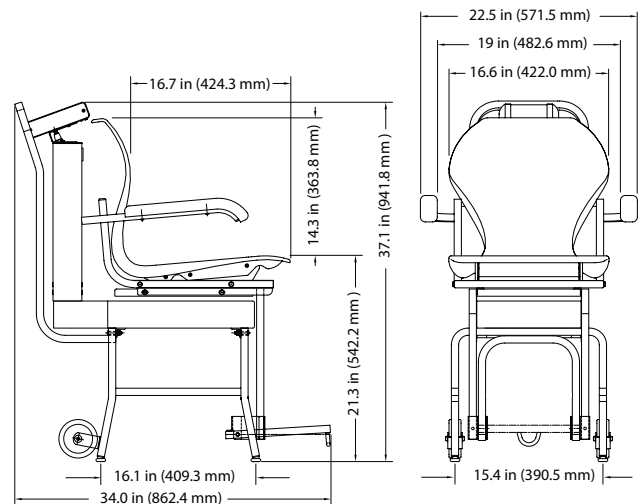


DETECTO's digital chair scales are of great benefit to disabled patients, dialysis patients, and elderly patients since they relieve any of the stress involved in the act of standing during the traditional weighing process by providing a place for the patient to sit comfortably while weighing. The scales can operate on six AA batteries (not included), allowing them to be completely mobile.

DETECTO's chair scales are ideal for clinics, hospitals, and physician offices. Lift-away armrests on both sides of the scale allow patients to access the chair laterally from either direction. An RS232 serial port provides EMR/EHR connectivity for efficient patient record-keeping (Wi-Fi/Bluetooth models are also available).

PORTABLE WITH WHEELS

DETECTO chair scales feature built-in wheels and a transport handle, so they may be rolled wherever your weighing needs are located.



DETECTO reserves the right to improve, enhance, or modify features and specifications without prior notice.



102 East Daugherty St., Webb City, MO 64870 USA
Toll-Free: (800) 641-2008 E-mail: detecto@cardet.com
www.Detecto.com

SOLD BY: