

model **6495**  
**WHEELCHAIR  
SCALES**



Optional

DETECTO<sup>®</sup>

Detecto  
Model 6495  
Wheelchair Scale  
with Easy-Access Ramp

- 800 lb / 360 kg Capacity
- Optional Wi-Fi for EMR/EHR
- Sturdy Steel Construction

## EFFICIENT MEASUREMENT



The 6495's MedVue® weight indicator is the clinical industry's most advanced, featuring EMR/EHR-ready serial, USB, and optional Wi-Fi connectivity, BMI calculation, yellow "quick keys" for basic weighing, and a multi-line LCD display. The scale is powered by 6 AA batteries (not included) or optional AC adapter.



- Up to 99 tares (optional) to store wheelchair weights for efficient patient weighing.
- Hold/Release key to hold a weight after leaving the scale for better patient care.
- Patient ID Barcode Scanning: Send 14-digit patient ID to the scale's MedVue® indicator for EMR/EHR records.
- Sturdy steel handrails for patient assurance and safety.



**With Detecto's 6495 heavy-duty wheelchair scale, you receive digital speed and increased accuracy.** The scale's ramp with non-skid surface and padded handrails ease wheelchair or standing patient weighing.

## 350-Degree Swivel Mounting Bracket

Enjoy freedom of movement wherever you need to position the display for the nurse or patient to easily read with the tilt-and-swivel mounting bracket.



350-degree ball-pivot mount

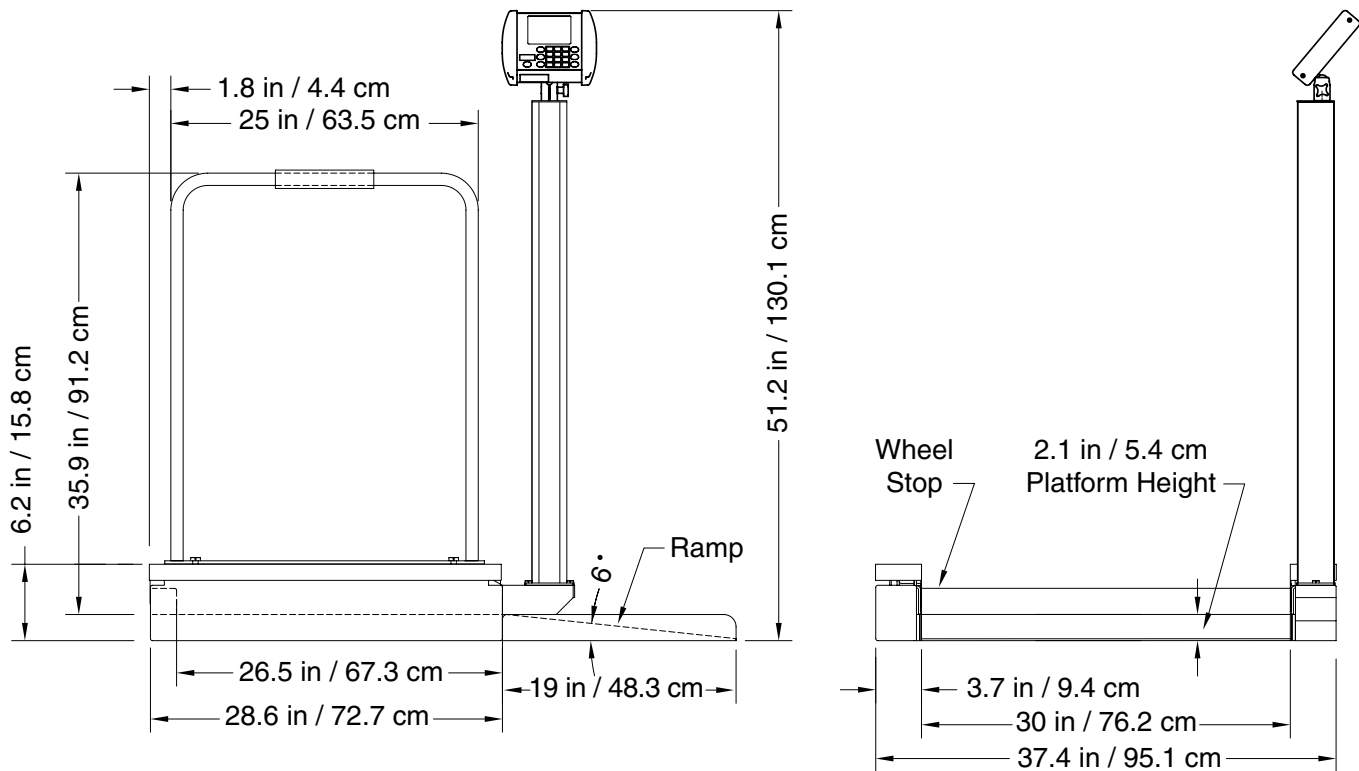


**Spacious  
Weighing  
Platform**

This heavy-duty stationary wheelchair scale features a detachable ramp for smooth entry and exit. The 6495 features a padded handrail for ambulatory patients, and Detecto's state-of-the-art MedVue® indicator allows height to be entered on the keypad for BMI calculation.

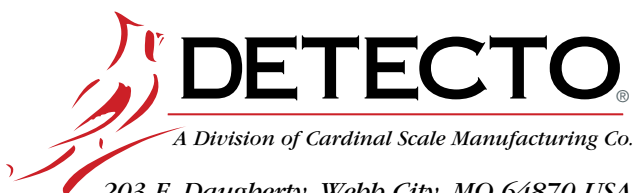


# model 6495 WHEELCHAIR SCALES



<b>Capacity</b>	800 lb x 0.2 lb / 360 kg x 0.1 kg
<b>Display</b>	Weight: 5-digit, 7-segment, 7/8 inch (22.2 mm) high LCD Height: 4-digit, 7-segment, 1/2 inch (12.7 mm) high LCD
<b>Keypad</b>	Membrane type with 19 keys
<b>Connectivity Ports</b>	RS232 serial and USB (standard), wired and Wi-Fi Ethernet (optional)
<b>Power</b>	6 AA cell Alkaline, Ni-Cad or NiMH batteries (not included) OR an optional 12 VDC 1.25A wall plug-in AC power adapter (Detecto part number MV1PWR)
<b>Resolution</b>	5,000 divisions, maximum
<b>Operating Temperature</b>	14° to 104° F (-10° to +40° C)
<b>Indicator Dimensions</b>	6.8 inch H x 7.6 inch W x 1.8 inch D (171.4 mm W x 193.8 mm H x 44.4 mm D)
<b>Platform Dimensions</b>	26.5 inch W x 30 inch D (673 mm W x 762 mm D)
<b>Construction</b>	Steel
<b>UPC Code</b>	809161138702
<b>Shipping Weight</b>	187 lb / 84.8 kg (2 boxes)

*Detecto Scale reserves the right to improve, enhance, or modify features and specifications without prior notice.*



203 E. Daugherty, Webb City, MO 64870 USA  
Ph: 417-673-4631 or 1-800-641-2008 Fax: 417-673-5001  
[www.Detecto.com](http://www.Detecto.com)

**Mobile:** [m.detecto.com](http://m.detecto.com)

**SOLD BY:**

