

DETECTO®



RESCUE 
medical carts

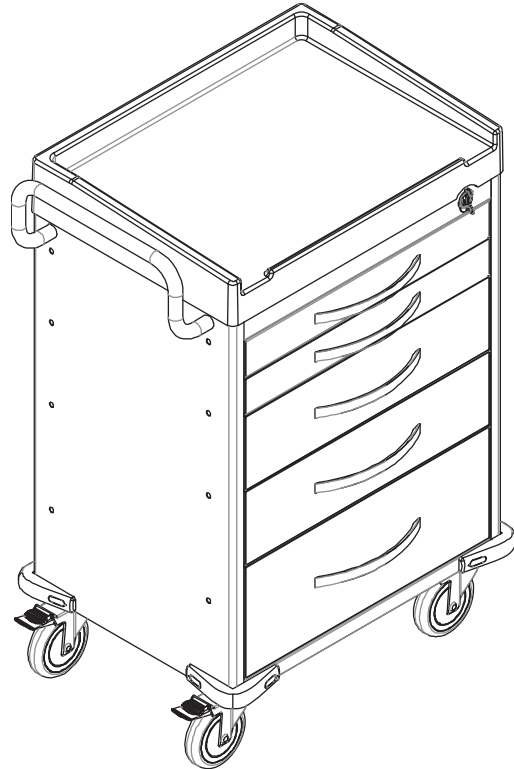
User Guide

Introduction


Thank you for purchasing our Detecto Rescue Medical Cart. It has been manufactured with Detecto quality and reliability.

Attention

1. Please read this User Guide before using product.
2. The correct ways to safely use this product are provided by this User Guide.
3. This User Guide lists attention points when you are using this product. If you miss the attention points and use incorrectly, it is possible to get hurt or damage this product.



Precautions

	WARNING	Incorrect use of this cart can result in serious injury to operator and/or damage to the cart.
---	----------------	--

	ATTENTION
---	------------------

	PROHIBITED
---	-------------------

Table of Contents

Safety Precautions	1
Rescue Cart Accessories	6
Tool & Accessory Package Standard	6
Push Handle	7
Removal of Drawer and Base	8
Optional Side Accessories	9
A. Side Rail	9
B. Oxygen Tank Side Rail	9
A. B. Attaching Rails	10
C. Catheter Holder	11
D. Glove box Holder	11
E. Bottles Holder	11
F. Multi Bin Storage Basket	11
G. File Holder	11
H. Document Holder	12
I. Waste Container w/Lid	12
J. Sharps Container Holder	12
K. Oxygen Tank Holder	13
Optional Back & Top Accessories	14
A. CPR Cardiac Board & Hooks	14
B. Defibrillator Shelf	15
C. IV Pole	16
D. Accessory Bridge	17
E. Tilt Bins Organizer	18
Drawer Divider System	19

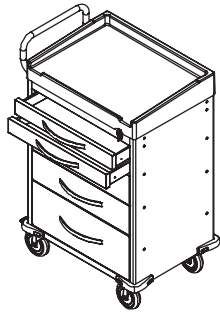
Safety Precautions



WARNING

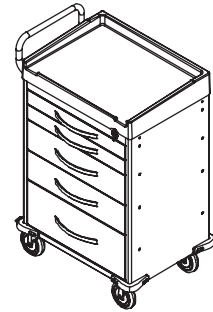
Do not open two or more drawers at same time.

X



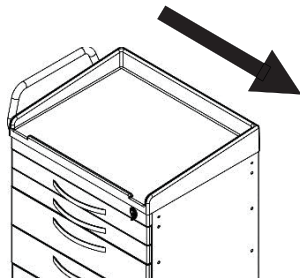
Carefully move cart and do not allow it to fall.

X



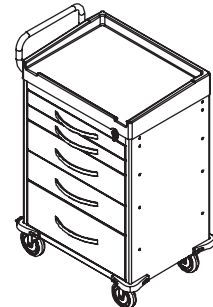
Pay attention to direction of cart when moving it.

!



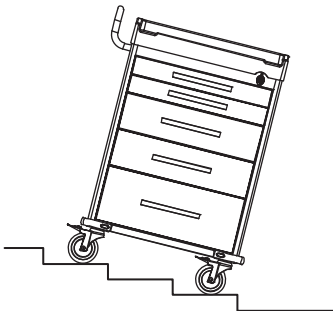
Pay attention to the front of cart when moving forward.

!



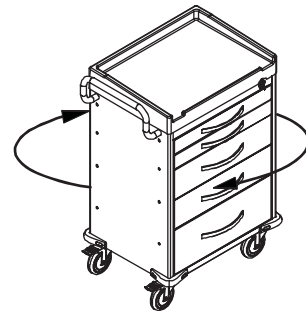
Do not use cart on stairs.

X



Do not force cart to turn when caster brake is locked.

X



Safety Precautions

WARNING

To prevent falling, do not push on the back of cart.



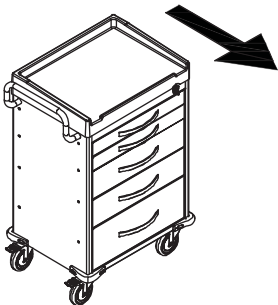
X

Do not move cart with an open drawer.



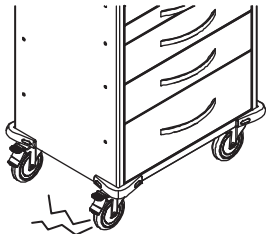
X

Do not move cart by pushing or pulling on accessory parts.



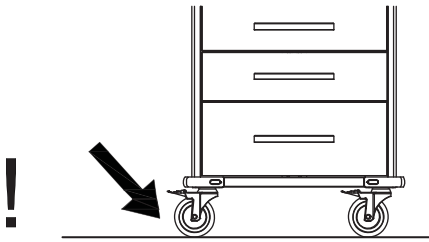
X

Do not move cart without unlocking caster brakes.



X

Attention!! Remember to lock caster brakes when you stop or park cart.



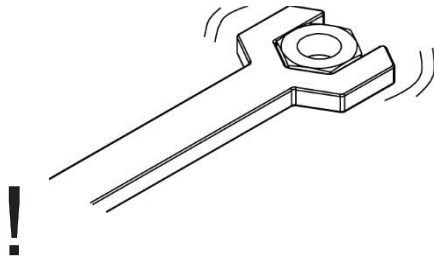
!

Safety Precautions

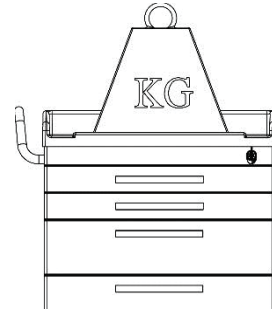
WARNING



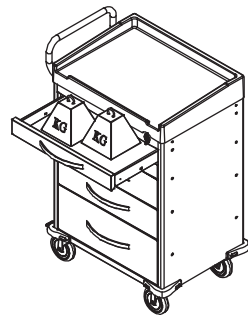
Attention!! Remember to tighten screws when you install parts and accessories.



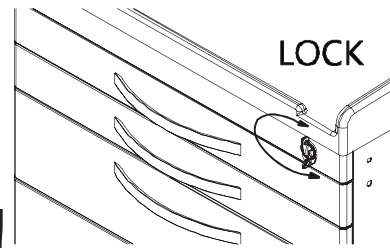
Do not overload top of cart.



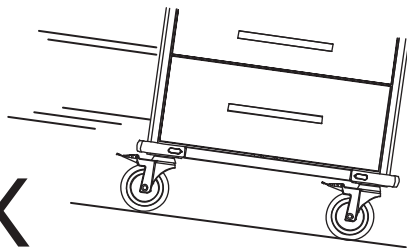
Do not overload drawers.



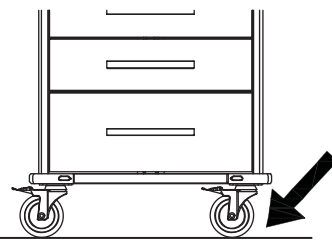
Attention!! Always close and lock drawers.



Do not park cart on an inclined or un-level floor.



Attention!! Park cart on flat level floor.



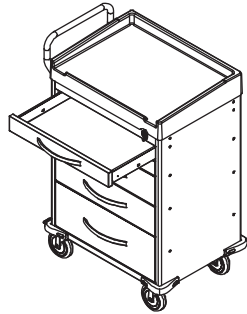
Safety Precautions

WARNING



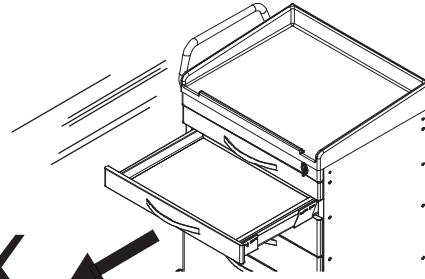
Do not lean against cart with open drawer.

X



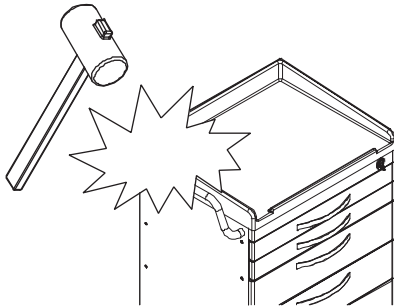
Do not move cart with an open drawer.

X



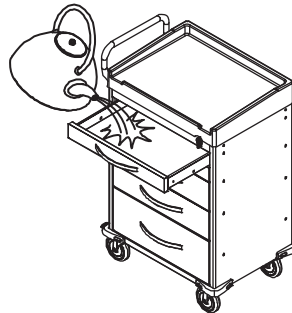
Do not strike cart with objects (ex: Hammer).

X



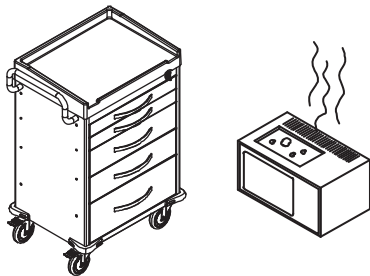
Do not pour hot or cleaning liquids into cart drawer.

X



Do not put high temperature products on cart.

X

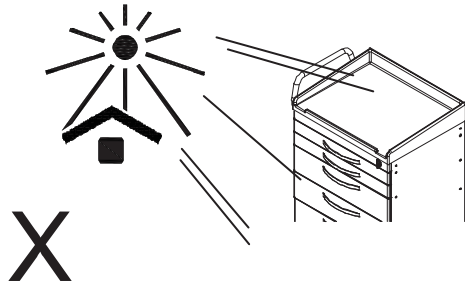


Safety Precautions

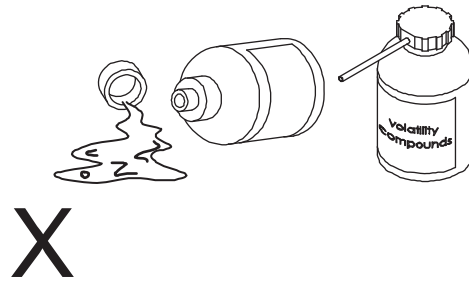
WARNING



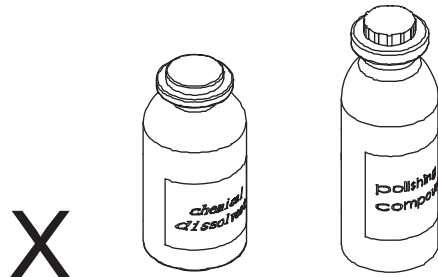
Do not expose cart or accessories to direct sunlight.



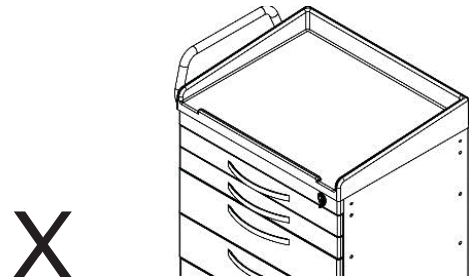
Keep volatile compounds away from cart and accessories.



Keep chemical dissolvent and polishing compounds away from cart and accessories.

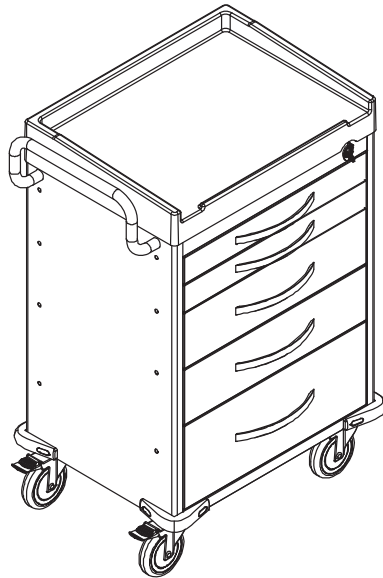


Do not use a hard scrubber to scrape or polish cart.

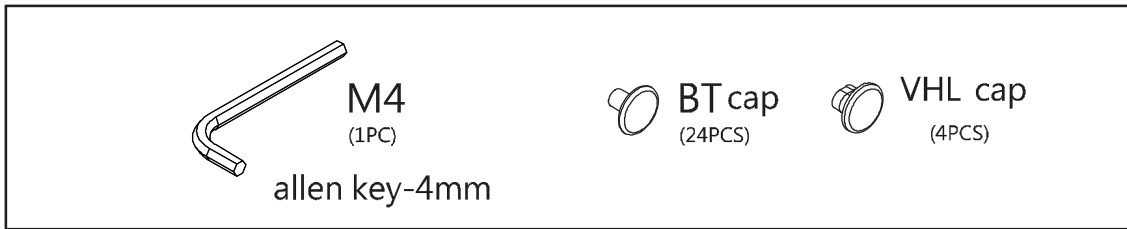


! It is recommended to use 75% alcohol or a neutral detergent to clean cart.

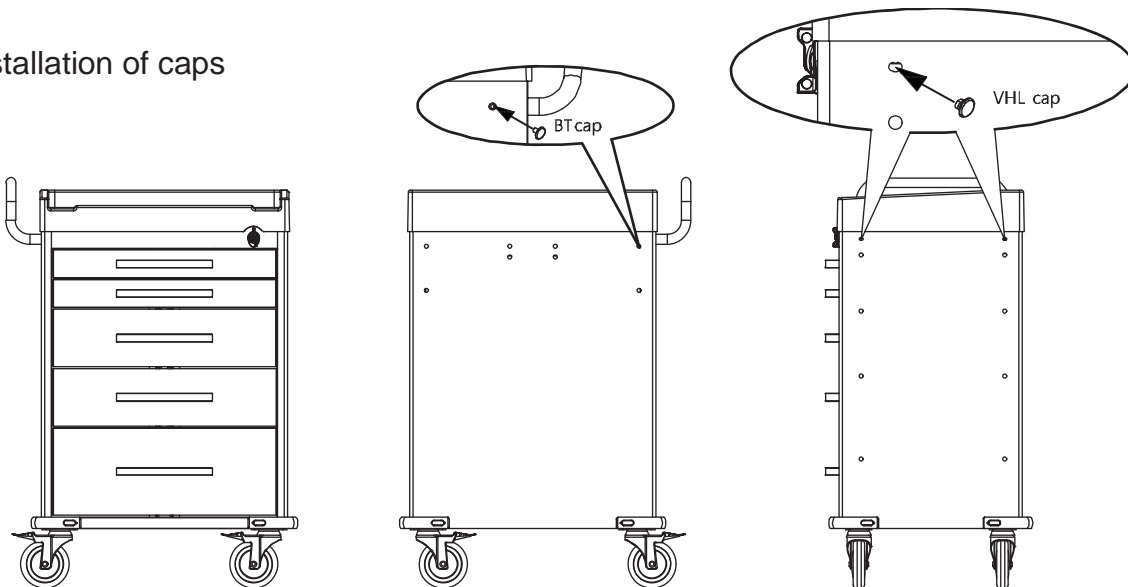
Rescue Cart Accessories



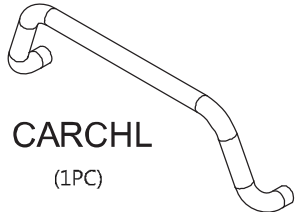

Tool & Accessory Package (Standard)

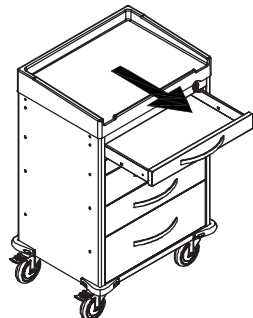
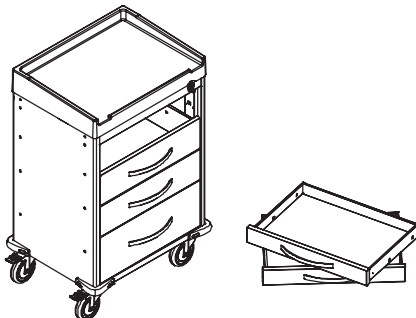


Installation of caps

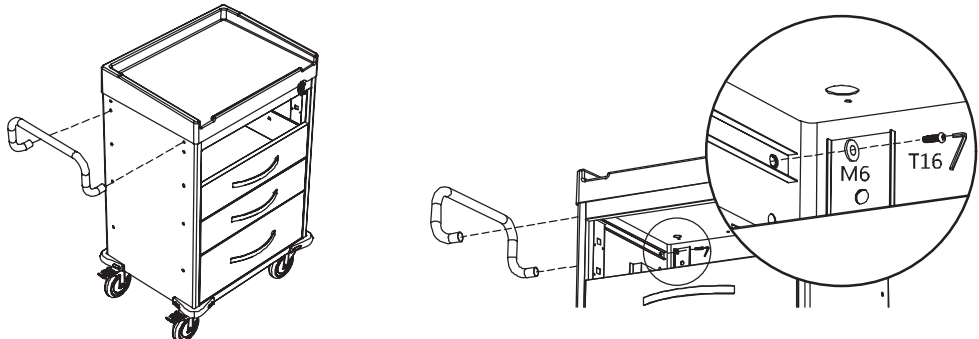


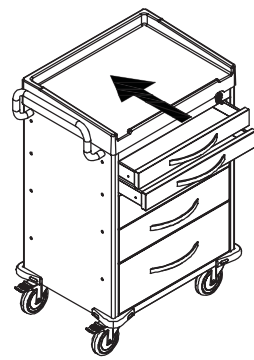
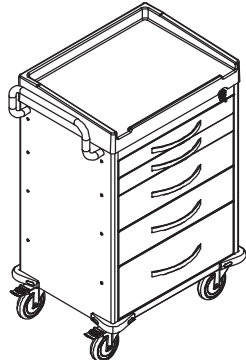
Push Handle

 <p>CARCHL (1PC)</p>	 <p>T16 (2PCS) Round head hex socket screw M6x16L</p>	 <p>M6 (2PCS) Flat washer 6x16Lx1.5T</p>
---	--	---

<p>①</p> 	<p>②</p> 
--	---

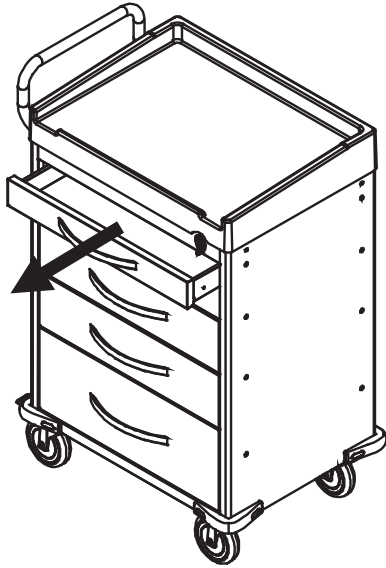
③



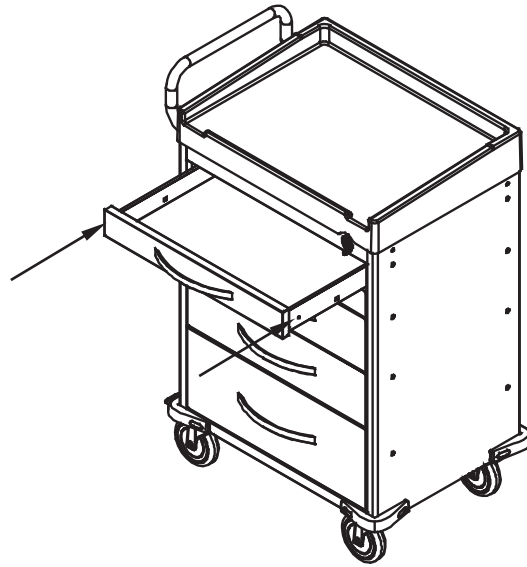
<p>④</p> 	<p>DONE</p> 
--	--

Removal of Drawer

① Pull out a drawer.

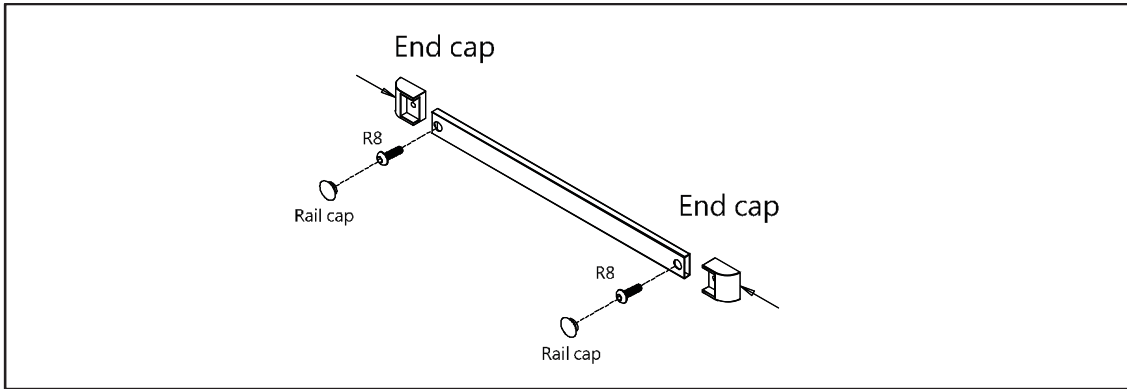
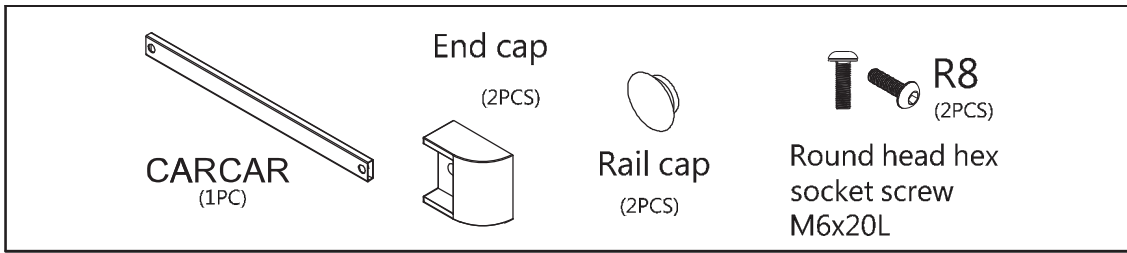


② Push release levers in middle of both slides, one up and one down.

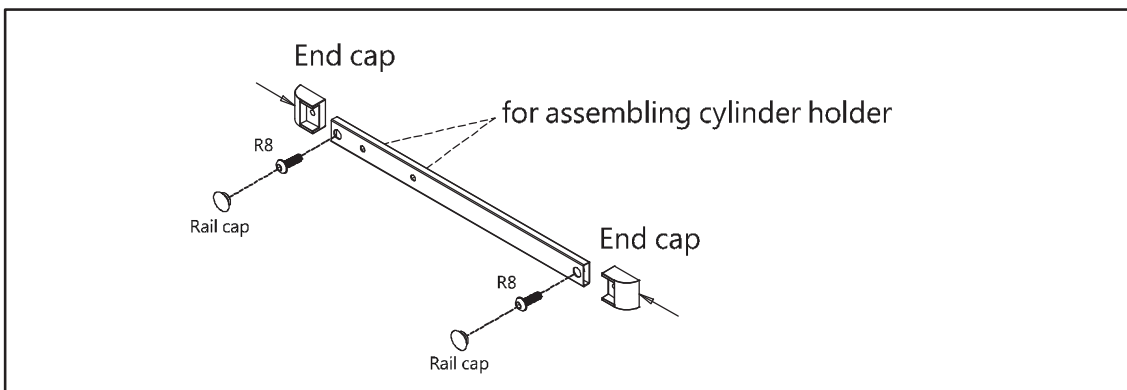
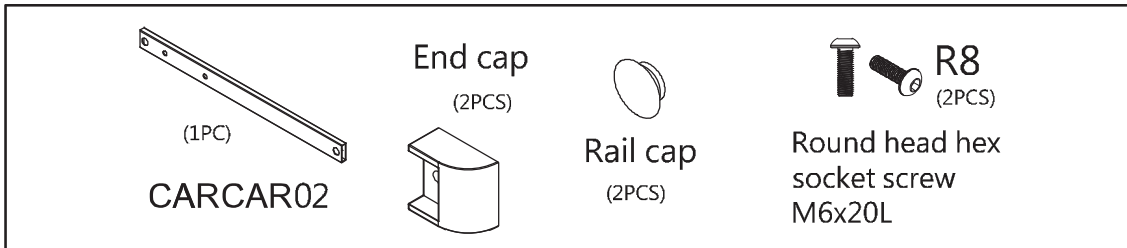


Optional Side Accessories

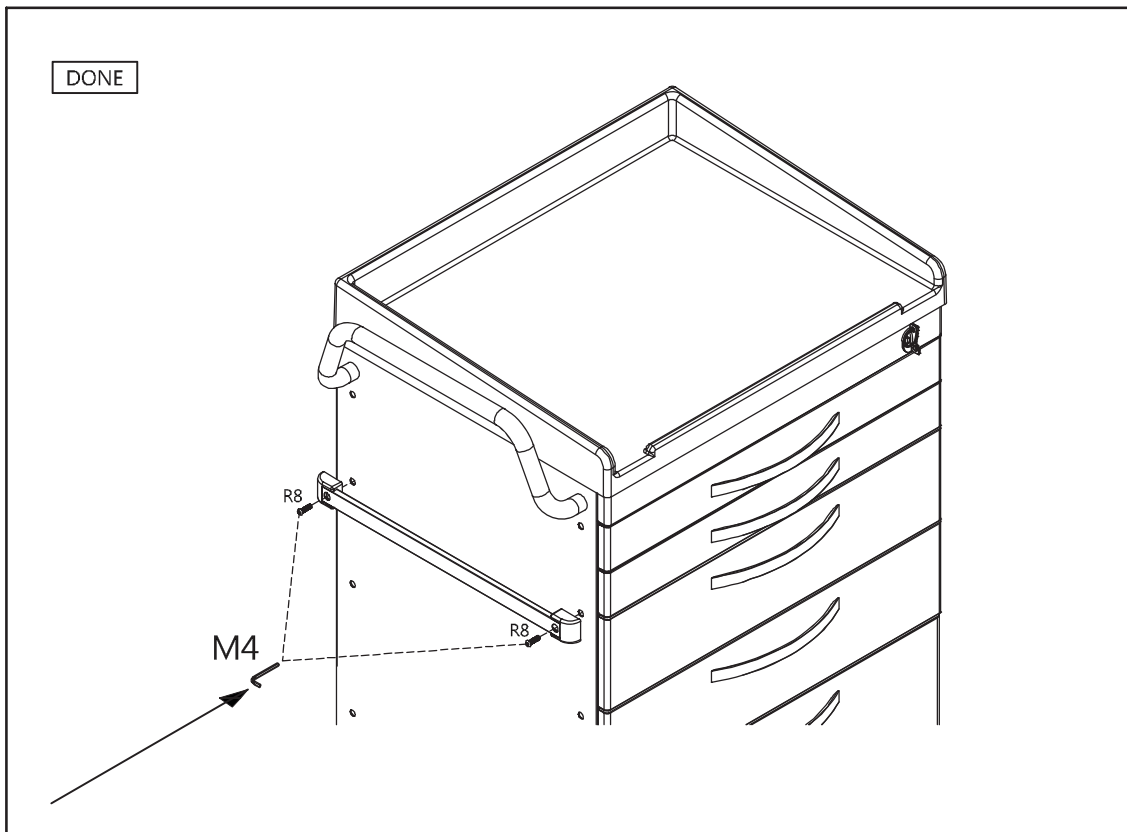
A. Side Rail



B. Oxygen Tank Side Rail



A. B. Attaching Rails



C. Catheter Holder



D. Glove Box Holder



E. Bottles Holder



F. Multi Bin Storage Basket



G. File Holder



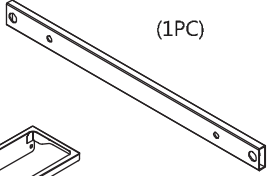


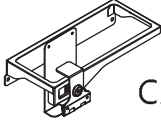

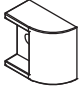
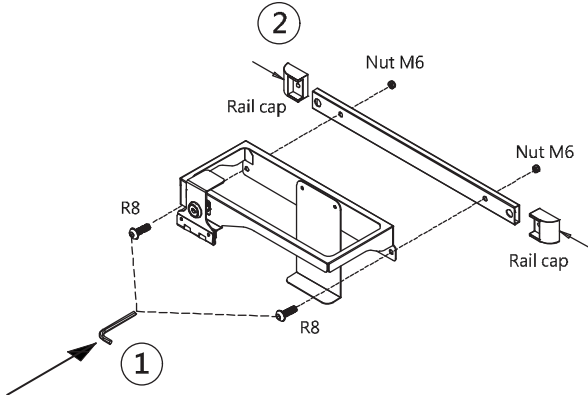
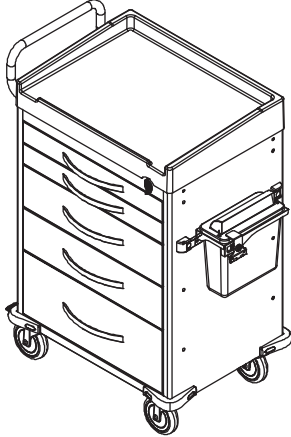
H. Document Holder

 <p>CARCDH</p>	<p>①</p> <p>See Step A</p>	<p>DONE</p> 
---	----------------------------	---

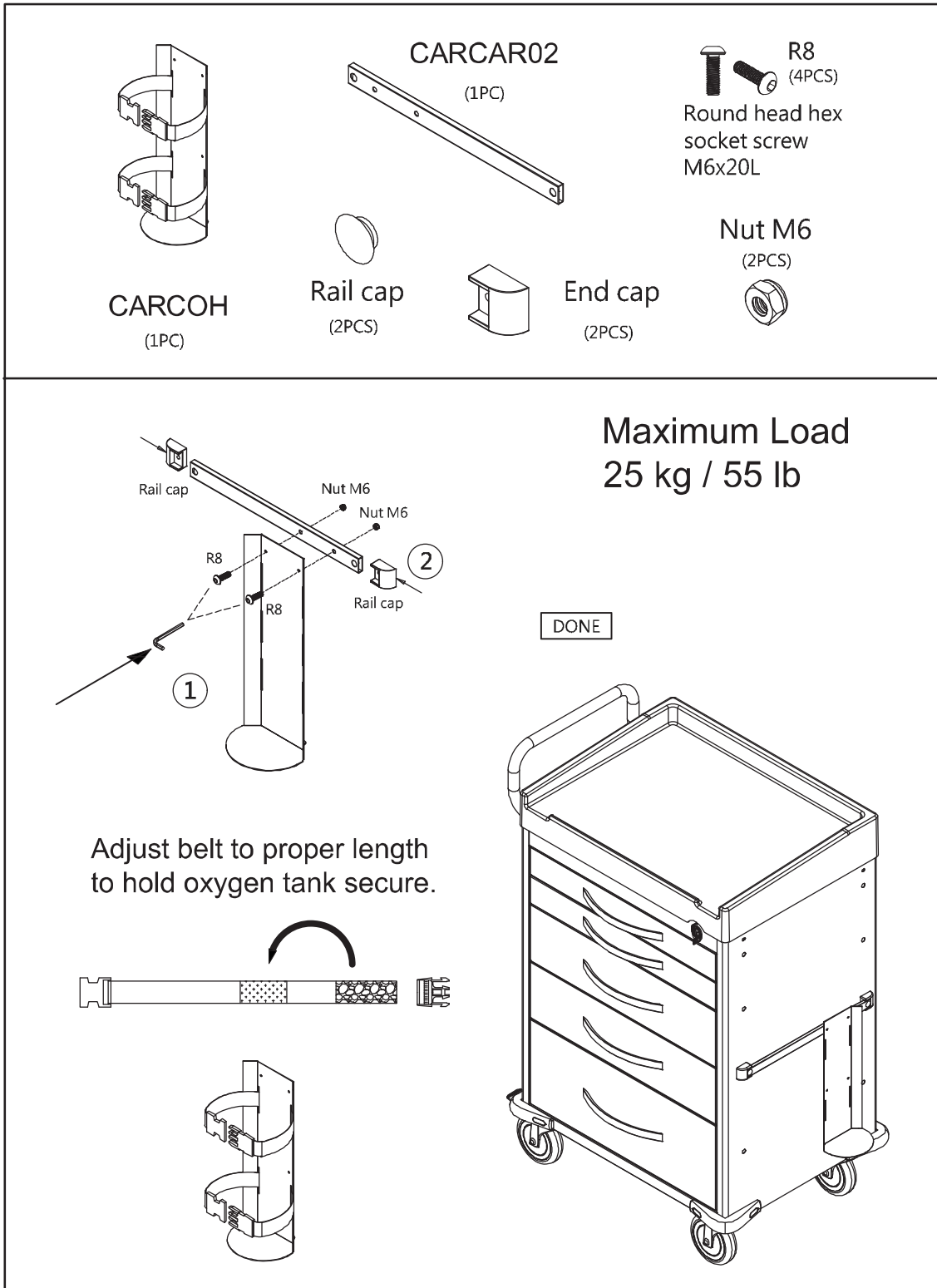
I. Waste Container w/Lid

 <p>CARCWB</p>	<p>①</p> <p>See Step A</p>	<p>DONE</p> 
---	----------------------------	---

J. Sharps Container Holder

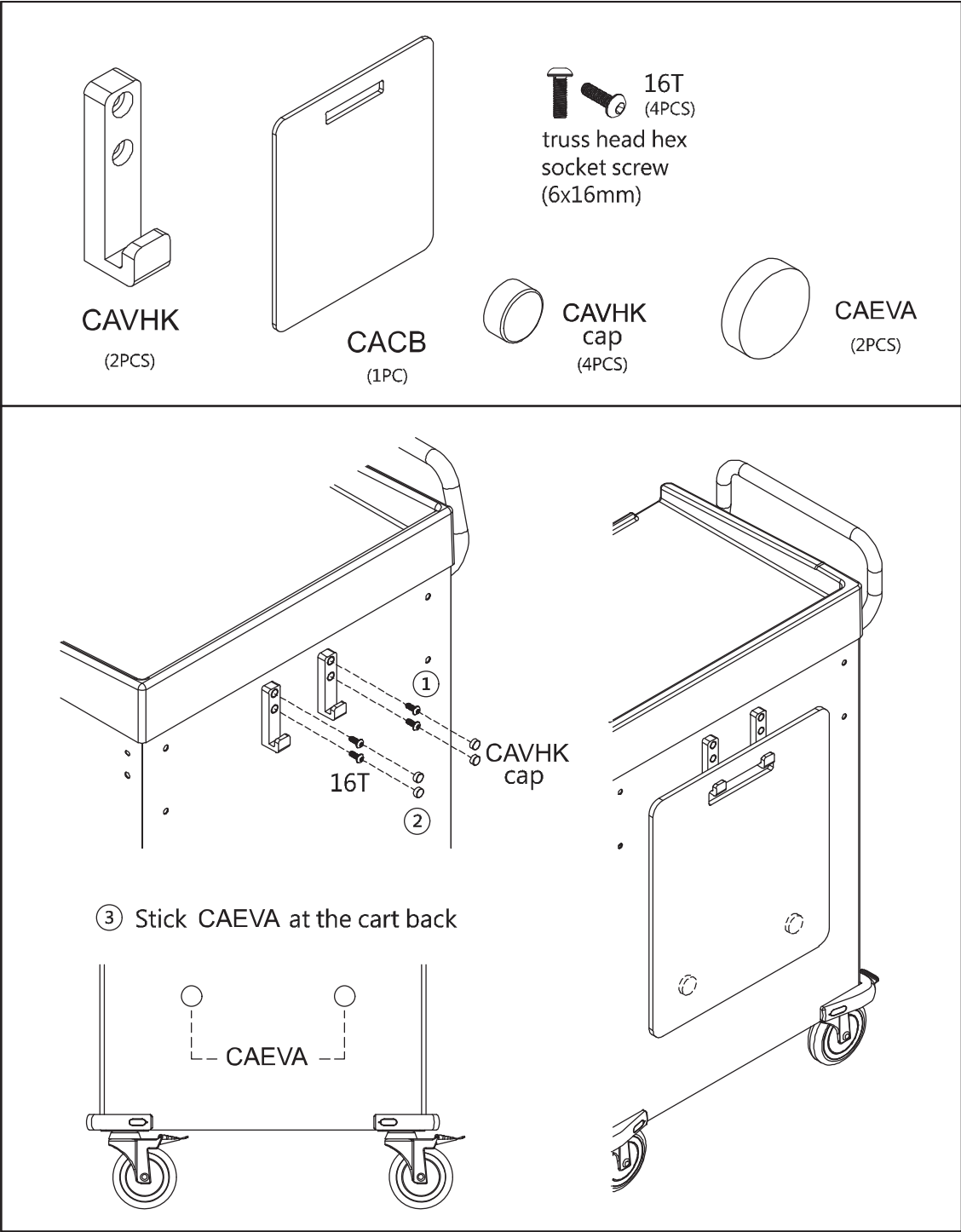
 <p>CARCAR03 (1PC)</p>	 <p>Nut M6 (2PCS)</p>	 <p>R8 (4PCS) Round head hex socket screw M6x20L</p>
 <p>CARCDSC</p>	 <p>Rail cap (2PCS)</p>	 <p>End cap (2PCS)</p>
<p>②</p>  <p>Nut M6</p> <p>Rail cap</p> <p>Nut M6</p> <p>Rail cap</p> <p>R8</p> <p>R8</p> <p>①</p> <p>DONE</p> 		

K. Oxygen Tank Holder

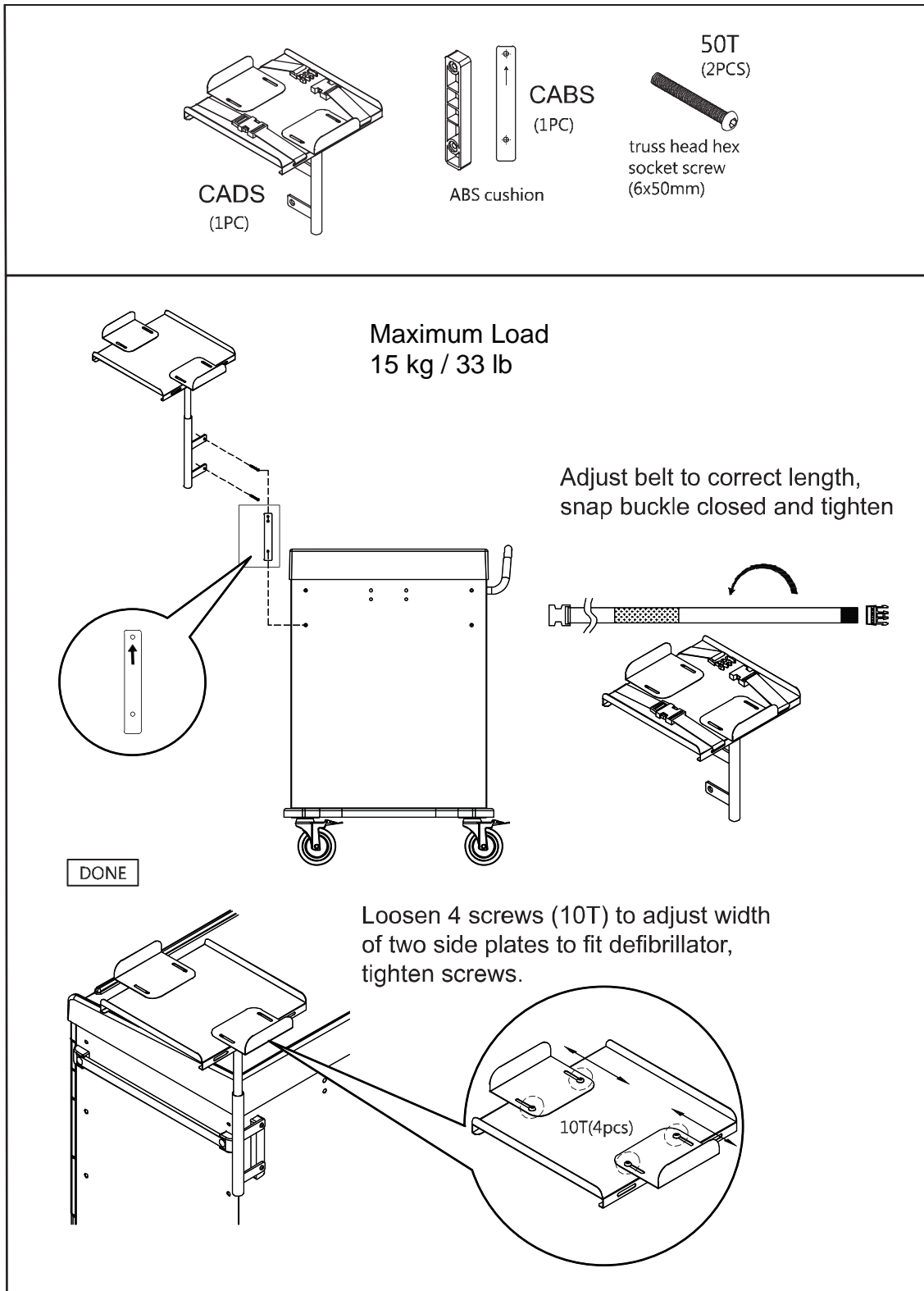


Optional Back & Top Accessories

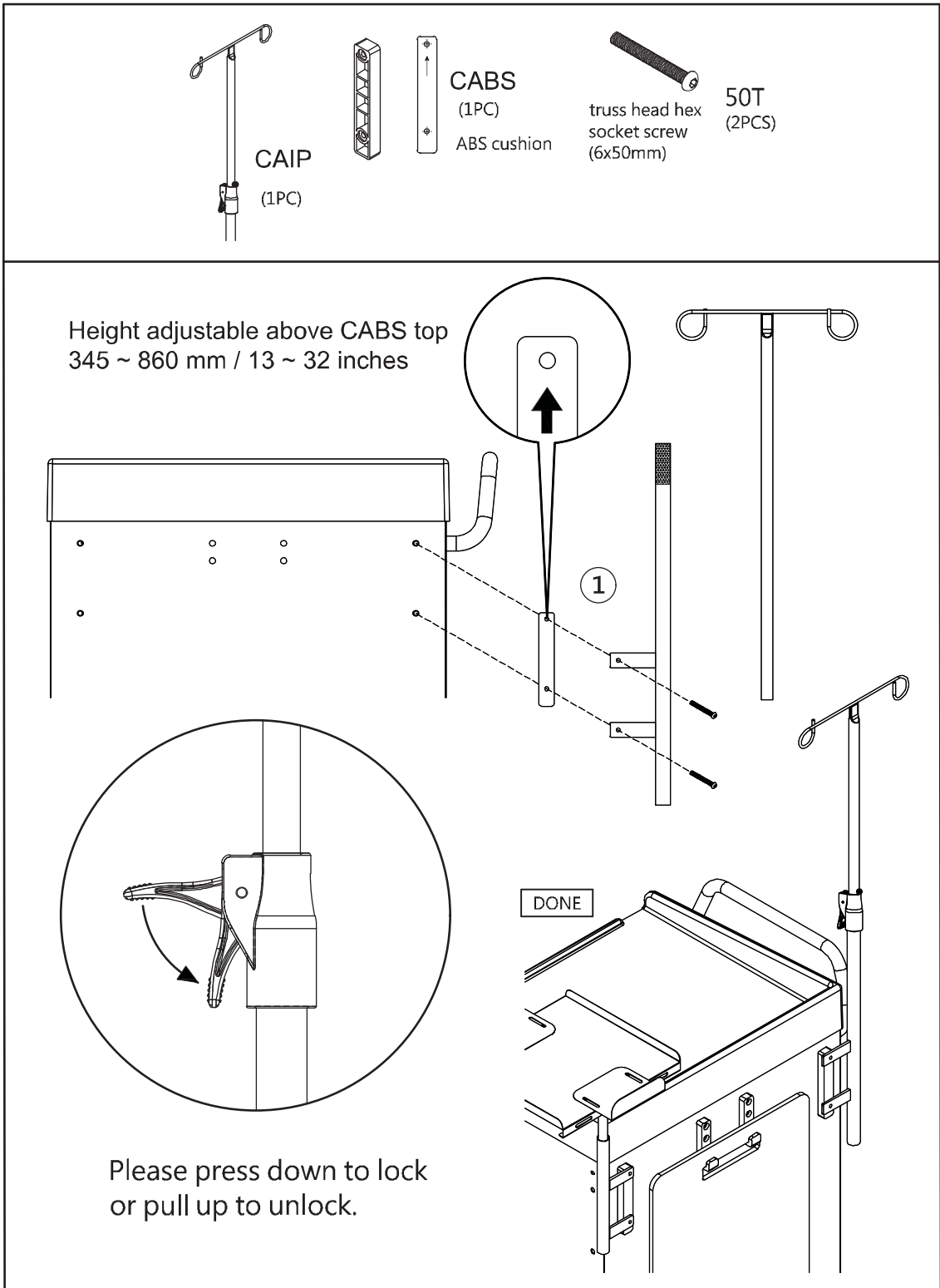
A. CPR Cardiac Board & Hooks



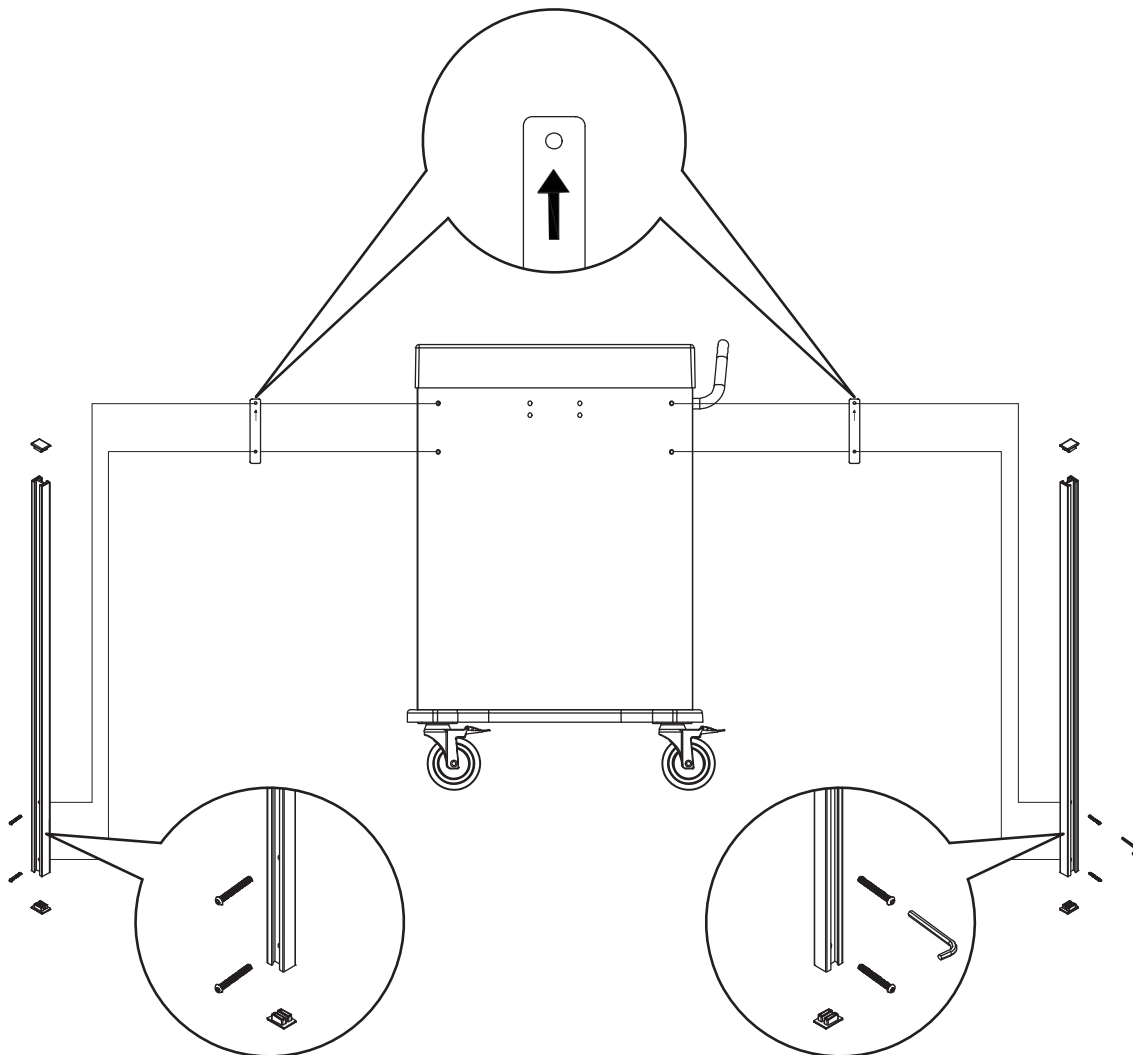
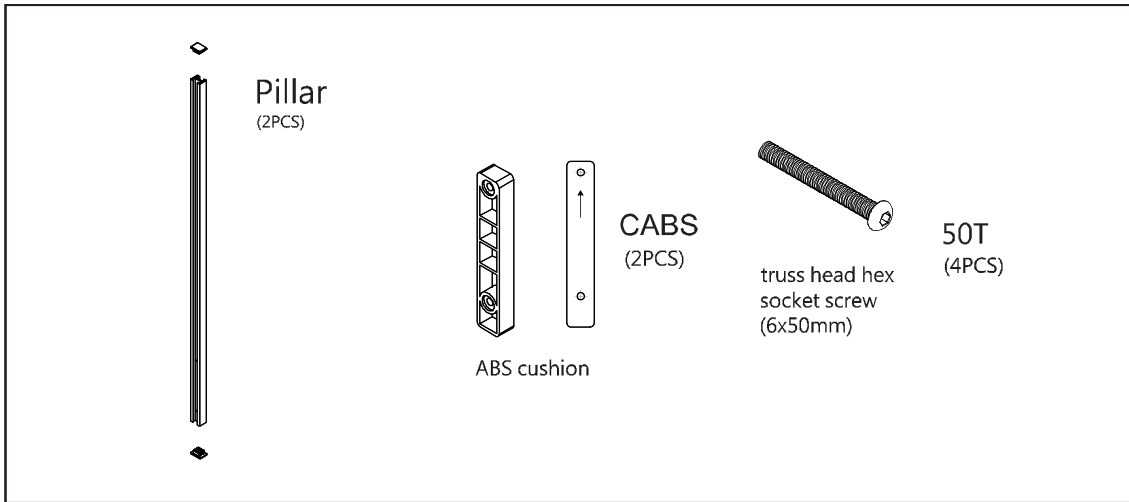
B. Defibrillator Shelf



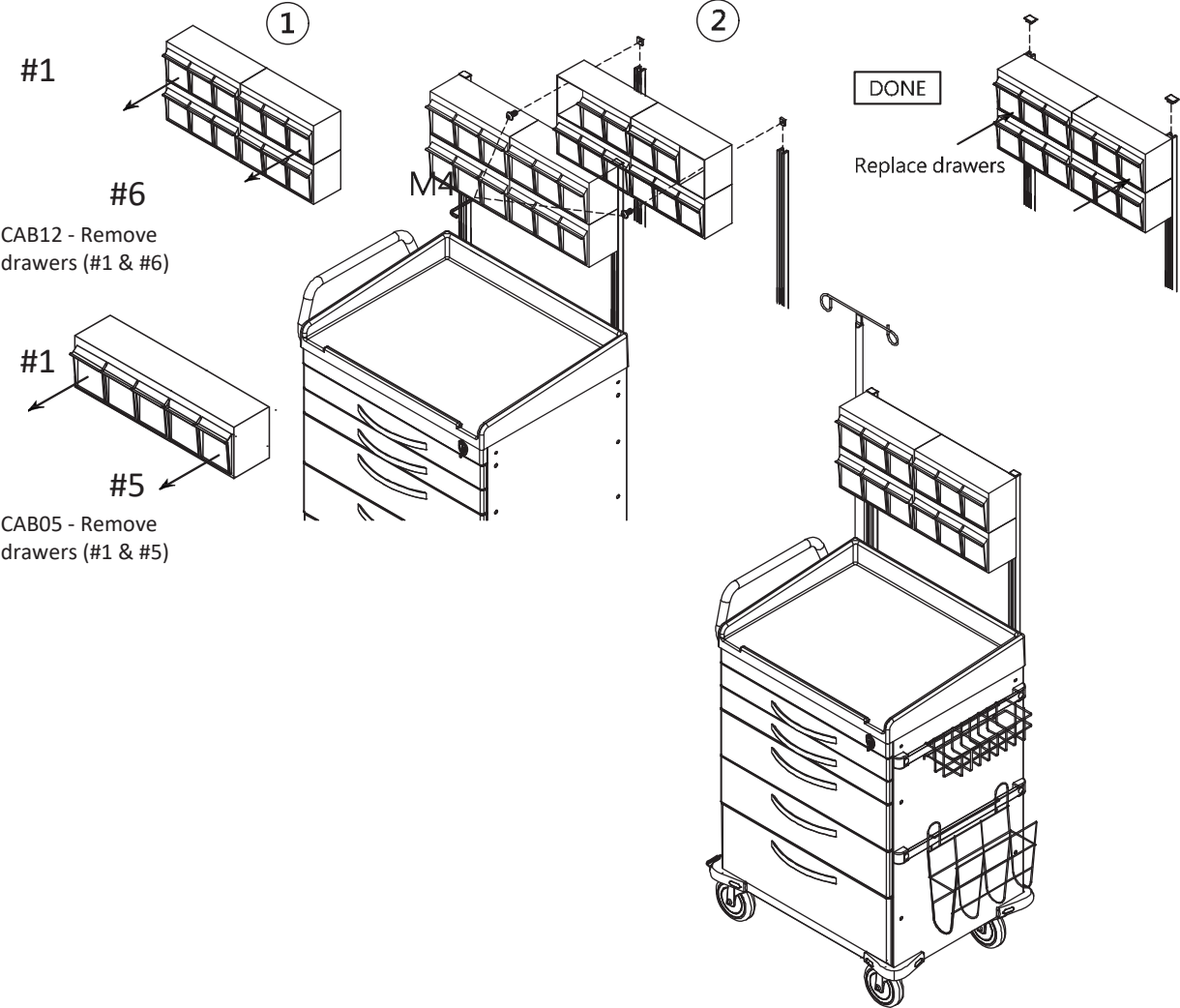
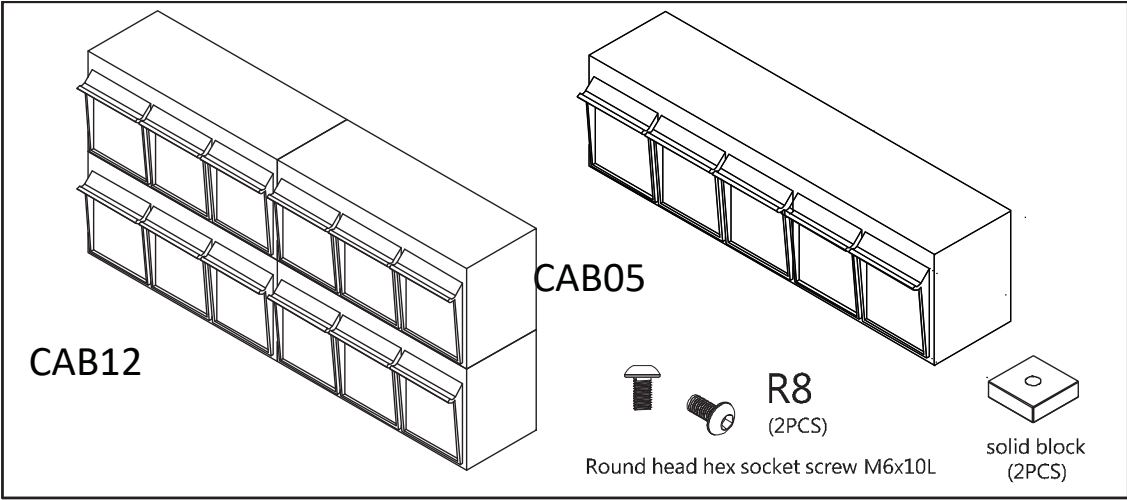
C. IV Pole



D. Accessory Bridge - CABB

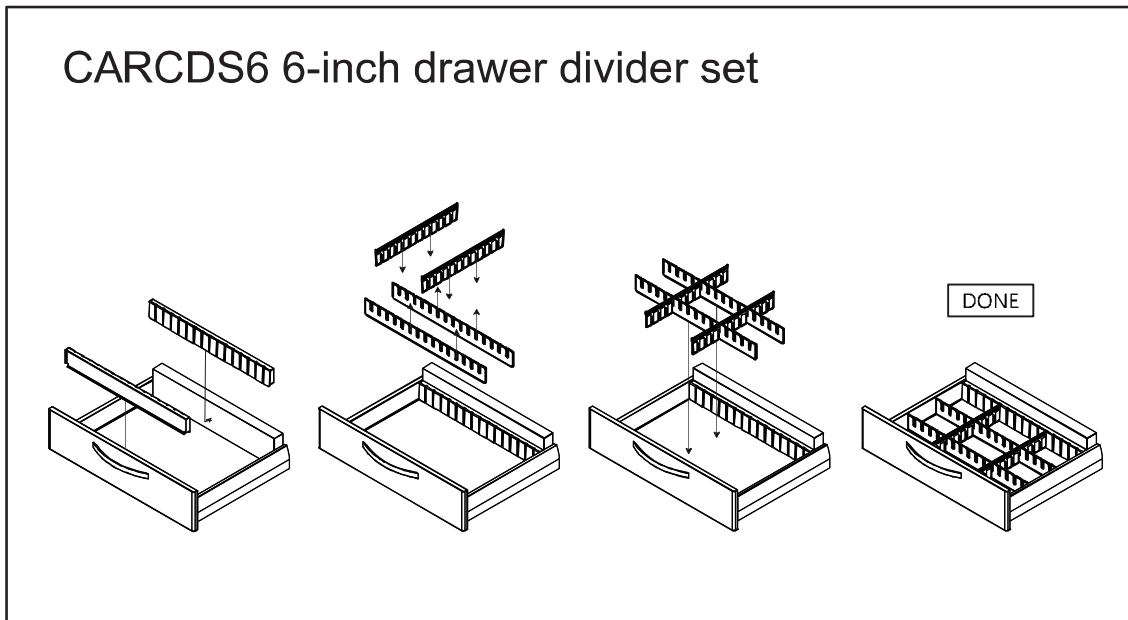
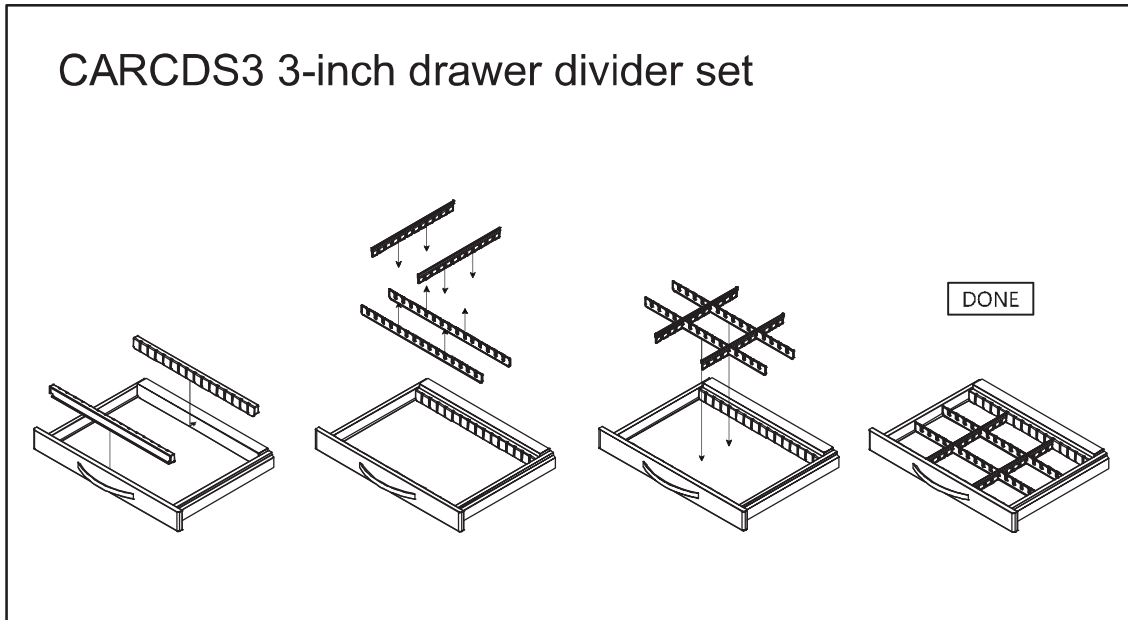


E. Tilt Bins Organizer



Drawer Divider System

Maximum Load
10 kg / 22 lb



DETECTO MEDICAL CARTS

STATEMENT OF LIMITED WARRANTY

DETECTO warrants its Medical Carts and Cart Accessories to be free from defects in material and workmanship as follows:

DETECTO warrants to the original purchaser only that it will repair or replace any part of the medical cart which is defective in material or workmanship for a period of **twelve (12) years from date of shipment**. Medical cart accessories (such as IV poles, waste bins, catheter holders, bin organizers, etc.) are warranted for a period of **two (2) years from the date of shipment**.

DETECTO shall be the sole judge of what constitutes a defect.

During the first ninety (90) days, DETECTO may choose to replace the product at no charge to the buyer upon inspection of the returned item.

After the first ninety (90) days, upon inspection of the returned item, DETECTO will repair or replace it with a refurbished product. The customer is responsible for paying for the freight both ways.

This warranty does not include replacement of expendable or consumable parts, or parts which have deteriorated or been damaged due to wear including but not limited to plastic parts such as tops, drawer rollers and slides, wheels, locks and hinges. Nor does it apply to damage caused by accident, misuse, abuse, overloading, theft, lightning, fire, water or acts of God, or due to extended storage or exposure.

This warranty does not apply to normal maintenance service, which is the responsibility of the purchaser.

DETECTO may require the product to be returned to the factory; item(s) must be properly packed and shipping charges prepaid. A Return Authorization number must be obtained for all returns and marked on the outside of all returned packages. DETECTO accepts no responsibility for items lost or damaged in transit, received without prior authorization or without proper markings and documentation.

Conditions Which Void Limited Warranty

This warranty shall not apply to equipment which:

- A.) Has not been properly assembled.
- B.) Has been tampered with, defaced, mishandled or has had repairs and modifications not authorized by DETECTO.
- C.) Has had serial number altered, defaced, or removed.

Freight Carrier Damage

Claims for equipment damaged in transit must be referred to the freight carrier in accordance with freight carrier regulations.

This warranty sets forth the extent of our liability for breach of any warranty or deficiency in connection with the sale or use of the product. DETECTO will not be liable for incidental or consequential damages of any nature arising from the use of any DETECTO product, defective or not, including but not limited to, loss of profit, delays or expenses, whether based on tort or contract. DETECTO reserves the right to incorporate improvements in material and design without notice and is not obligated to incorporate improvements in equipment previously manufactured.

The foregoing is in lieu of all other warranties, express or implied including any warranty that extends beyond the description of the product including any warranty of merchantability or fitness for a particular purpose. This warranty covers only those DETECTO products installed in the forty-eight (48) contiguous continental United States.





DETECTO

102 E. Daugherty, Webb City, MO 64870 USA

Ph: 417-673-4631 or 1-800-641-2008

Fax: 417-673-2153

www.Detecto.com

Technical Support: 1-866-254-8261

E-mail: tech@cardet.com