



Models 6475/6475K
Digital
Portable Chair Scale
Owner's Manual

COPYRIGHT

All rights reserved. Reproduction or use, without expressed written permission, of editorial or pictorial content, in any manner, is prohibited. No patent liability is assumed with respect to the use of the information contained herein.

DISCLAIMER

While every precaution has been taken in the preparation of this manual, the Seller assumes no responsibility for errors or omissions. Neither is any liability assumed for damages resulting from the use of the information contained herein. All instructions and diagrams have been checked for accuracy and ease of application; however, success and safety in working with tools depend to a great extent upon individual accuracy, skill, and caution. For this reason, the Seller is not able to guarantee the result of any procedure contained herein. Nor can they assume responsibility for any damage to property or injury to persons occasioned from the procedures. Persons engaging in the procedures do so entirely at their own risk.

PROPER DISPOSAL

When this device reaches the end of its useful life, it must be properly disposed of. It must not be disposed of as unsorted municipal waste. Within the European Union, this device should be returned to the distributor from where it was purchased for proper disposal. This is in accordance with EU Directive 2002/96/EC. Within North America, the device should be disposed of in accordance with the local laws regarding the disposal of waste electrical and electronic equipment.

It is everyone's responsibility to help maintain the environment and to reduce the effects of hazardous substances contained in electrical and electronic equipment on human health. Please do your part by making certain that the device is properly disposed of. The symbol shown to the right indicates that this device must not be disposed of in unsorted municipal waste programs.



FCC COMPLIANCE STATEMENT

This equipment generates uses and can radiate radio frequency and if not installed and used in accordance with the instruction manual, may cause interference to radio communications. It has been tested and found to comply with the limits for a Class A computing device pursuant to Subpart J of Part 15 of FCC rules, which are designed to provide reasonable protection against such interference when operated in a commercial environment. Operation of this equipment in a residential area may cause interference in which case the user will be responsible to take whatever measures necessary to correct the interference.

You may find the booklet "How to Identify and Resolve Radio-TV Interference Problems" prepared by the Federal Communications Commission helpful. It is available from the U.S. Government Printing Office, Washington, D.C. 20402. The stock No. is 001-000-00315-4.



INTRODUCTION

The Detecto Model 6475/6475K Digital Portable Chair Scale is ideal for use in hospitals, clinics, and medical practices for weight and BMI measurement of disabled patients, dialysis patients, and elderly patients. The scale is durable, having a heavy-duty understructure that is designed for optimal strength and patient safety. The Model 6475/6475K scales are conveniently portable with built-in rear wheels and transport handle, so they may be moved to wherever your weighing needs are located. Lift-away armrests on both sides of the scale allow patients to access the chair laterally from either direction, and the fold-up footrest provides additional patient support while weighing and retracts when not in use.

This manual is provided to guide you through the assembly and operation of your scale. Please read it thoroughly before attempting to assemble or operate your scale and keep it available for future reference.

This manual is for use with the following Digital Portable Chair Scale models:

6475, 6475-AC, 6475-ACUK, 6475-C, 6475-C-AC, 6475K, and 6475K-ACUK



	WARNING! This scale is NOT intended for patient transport. It is to be used ONLY for patient weighing. Failure to observe this warning may result in severe injury to the patient and/or the scale operator.	
---	---	---

SPECIFICATIONS

- Capacity (6475) 400 lb x 0.2 lb (180 kg x 0.1 kg)
- Capacity (6475K) 180 kg x 0.1 kg
- Shipping Weight 78 lb (35.3 kg)
- Scale Dimensions 37.38 in H x 22.5 in W x 34.0 in D
(94.9 cm H x 57.2 cm W x 86.4 cm D)
- Display Six-digit, seven segment, 0.7 inch (17.8 mm) high LCD
- Power Six "AA" Alkaline, Ni-Cad, or NiMH batteries (*not included*) OR an optional 100 to 240V AC 50/60Hz 12V DC 1A wall plug-in UL/CSA listed AC power adapter (Cardinal part number 6800-1045). Models are available with the AC adapter included.
- Keyboard Membrane type with 5 keys and 4 directional arrows
- Connectivity: RS232 serial port

Serial Number _____
Date of Purchase _____
Purchased Form _____

RETAIN THIS INFORMATION FOR FUTURE USE

PRECAUTIONS	
Before using this instrument, read this manual and pay special attention to all "WARNING" symbols:	
	IMPORTANT
	ELECTRICAL WARNING

UNPACKING INSTRUCTIONS

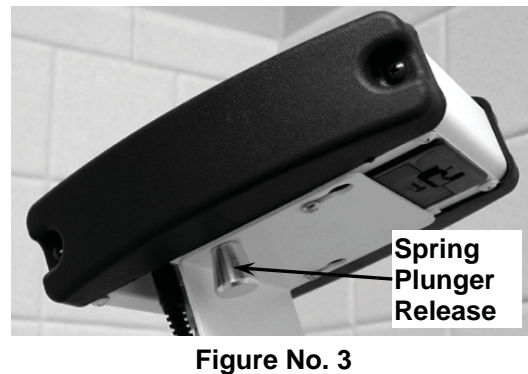
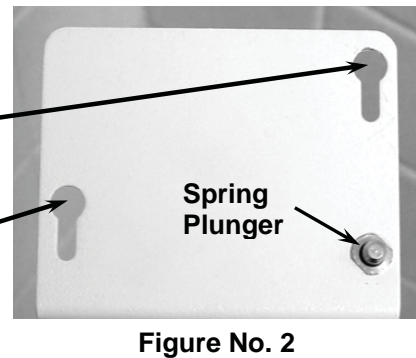
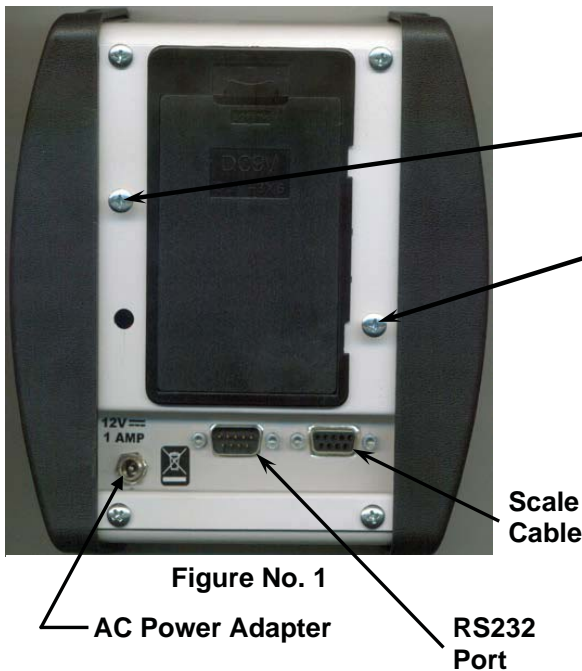
Remove the scale from its packing and inspect it for signs of shipping damage, such as exterior dents and scratches. *Keep and use the original carton and packing material for return shipment if it should become necessary.* Note that it is the responsibility of the purchaser to file all claims for any damage or loss incurred during transit. Remove and unpack the AC power adapter if the scale was ordered with this option.



SCALE SETUP

The Detecto Model 6475/6475K Digital Portable Chair Scale comes fully assembled, and only requires removing the straps between the base and platform and installing the digital weight indicator to the scale column bracket before using the scale.

1. Set the scale in an area free from traffic and obstructions, and then remove the straps between the base and platform.
2. Next, install the scale cable on the indicator.
3. Align the scale cable connector with the jack on the back of the indicator, and gently push the connector onto the jack.
4. Using a small flat blade screwdriver, tighten the screws on both sides of the scale cable connector. Refer to Figure No. 1 for the location of the scale cable jack.
5. Referring to Figures No. 1, 2, and 3, install the indicator on the scale column bracket.
6. Place the screw heads on the back of the indicator into the large end of the slotted holes in the bracket.
7. Pull down on the indicator to secure it to the bracket.
8. The spring plunger will lock the indicator to the bracket.



AC POWER ADAPTER

To power the scale using the optional 110-240V AC 50/60 Hz 12V DC wall plug-in AC power adapter, connect the small round plug from the AC adapter into the power jack on the back of the indicator and then plug the AC power adapter into the proper electrical outlet. Refer to Figure 1 on the previous page. On installations using 220V to 240V AC, it is the customer's responsibility to obtain the correct AC power adapter plug.

BATTERY OPERATION

Batteries

The scale can use 6 "AA" size Alkaline, Ni-Cad, or NiMH batteries (*not included*). You must first obtain and install batteries before operations can begin. Batteries are contained in a battery holder inside the indicator. Access is via a removable panel on the back of the indicator.

When using batteries, all 6 batteries must be of the same type. They must be all Alkaline, Ni-Cad, or all NiMH. In addition, **DO NOT** mix Ni-Cad or NiMH batteries.



IMPORTANT! The scale can be operated from Alkaline, Ni-Cad, or NiMH batteries. All six (6) batteries must be of the same type. They must all be Alkaline, all Ni-Cad, or all NiMH. **DO NOT** mix Alkaline and Ni-Cad or NiMH batteries.



CAUTION! The AC power adapter is also used to recharge the batteries when the scale is operated from Ni-Cad or NiMH batteries. **DO NOT** connect the AC power adapter if using alkaline batteries. Also, when using alkaline batteries, make sure the *recharge* setup option is disabled (set to 0). Refer to Setup and Calibration or Setup Review sections of 750 Weight Indicator Owner's Manual (8555-M483-O1).

Battery Status

The 750 indicator will operate for up to 250 hours on new Alkaline batteries or up to 100 hours on fully charged Ni-Cad or NiMH batteries depending on the condition of the batteries (from new to about 500 recharges). The battery bar graph on the display indicates the battery capacity in 4 steps:



- 4 segments - the full battery capacity is available
- 3 segments - the battery is at 75% of capacity
- 2 segments - the battery is at 50% of capacity
- 1 segment - the battery is at 25% capacity

When the battery voltage drops too low for accurate weighing, the indicator will show *LoBat* and then shut off. You will be unable to turn the indicator back on until the Alkaline batteries have been replaced or if using Ni-Cad or NiMH batteries, the AC power adapter is connected to the display to operate it and recharge the batteries.

Battery Charging

To recharge the Ni-Cad or NiMH batteries, the AC power adapter must be connected to a power outlet and plugged into the indicator. It will take approximately 8 to 10 hours to fully recharge the batteries in the display. Charging the batteries for more than 10 hours *will not* damage them. **NOTE:** The indicator may be operated while the batteries are charging.

BATTERY OPERATION, CONT.

Battery Installation/Replacement

To install or remove the batteries, the following steps should be followed:

1. Make sure the AC power adapter is unplugged.
2. Remove the indicator from the scale column bracket. (Referring to Figure No. 4, pull the spring plunger down and slide the indicator up and away from the bracket).
3. Turn the indicator over so that the display is facing away from you.
4. Locate the rectangular panel on the back of the indicator.
5. To install or replace the batteries, first remove the battery holder cover by pushing in on the tab and lifting it up. Refer to Figure No. 5.
6. If installing new batteries, proceed to step 7. If replacing the batteries, remove all 6 batteries from the battery holder and then proceed to step 7.
7. Install the 6 new “AA” size batteries in the battery holder, noting the polarity markings located in the battery holder. Refer to Figure No. 6.
8. After placing all 6 batteries in the holder, replace the battery cover.
9. Turn the indicator over (display facing up) and press the **ON/OFF** key.
10. If the display turns on, the batteries have been installed correctly. If not, remove the panel and check for one or more improperly positioned batteries.
11. Return the indicator to the scale column bracket. Refer to the steps on page 3.
12. The scale is now ready for operation.



Figure No. 4

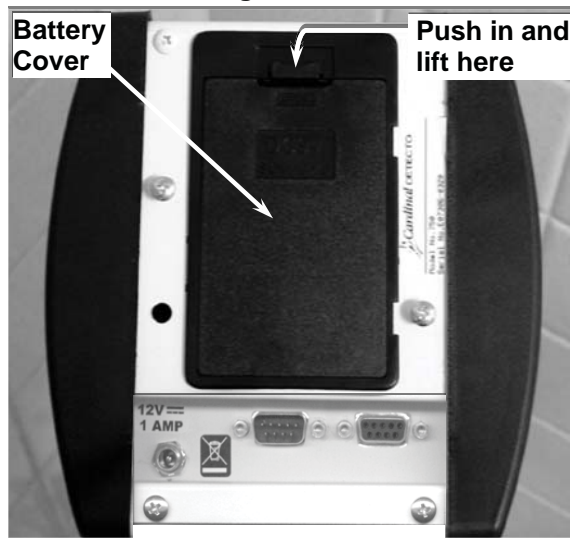


Figure No. 5



Figure No. 6

For more information on setup and operation of the indicator, see the 750 Owner's Manual (8555-M483-O1).

OPERATION



ALWAYS assist the patient onto the scale chair. **NEVER** leave a patient unattended while they are on the scale chair. Failure to maintain control of the patient at all times can result in severe injury to the patient and/or you.

Basic Weighing

1. Place the chair scale on any hard, level, flat surface, or low-cut carpet.
2. With the chair scale empty, press the **ON/OFF** key to turn on the indicator.
3. If required, press the **ZERO** key to zero the weight display.
4. Raise the armrests and footrest if needed, and then assist the patient to a sitting position. Lower the armrests (for patient comfort during weighing). Lower the footrest and have the patient place their feet on the footrest before weighing.

IMPORTANT! Patient's feet must be on the footrest during weighing operation.


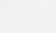
5. When the weight is stable (the  annunciator will turn on), read the weight display.
6. If a printer is connected to scale, press the **PRINT** key to print a ticket.
7. Raise the armrests and footrest out of the way, and then assist the patient out of the chair.




Figure No. 7

Weighing with Item on Chair Scale

1. Place the item (blanket or similar covering) on the chair scale.
2. The display will show the weight of the item on the scale.
3. Press the **ZERO** key.
4. The weight display will return to zero. The ZERO and  annunciators will turn on. The weight of the item has been "zeroed off".
5. Raise the armrests and footrest if needed, and then assist the patient to a sitting position. Lower the armrests (for patient comfort during weighing). Lower the footrest and have the patient place their feet on the footrest before weighing.

IMPORTANT! Patient's feet must be on the footrest during weighing operation.

6. When the weight is stable (the  annunciator will turn on), read the weight display.
7. If a printer is connected to scale, press the **PRINT** key to print a ticket.
8. Raise the armrests and footrest out of the way, and then assist the patient out of the chair.

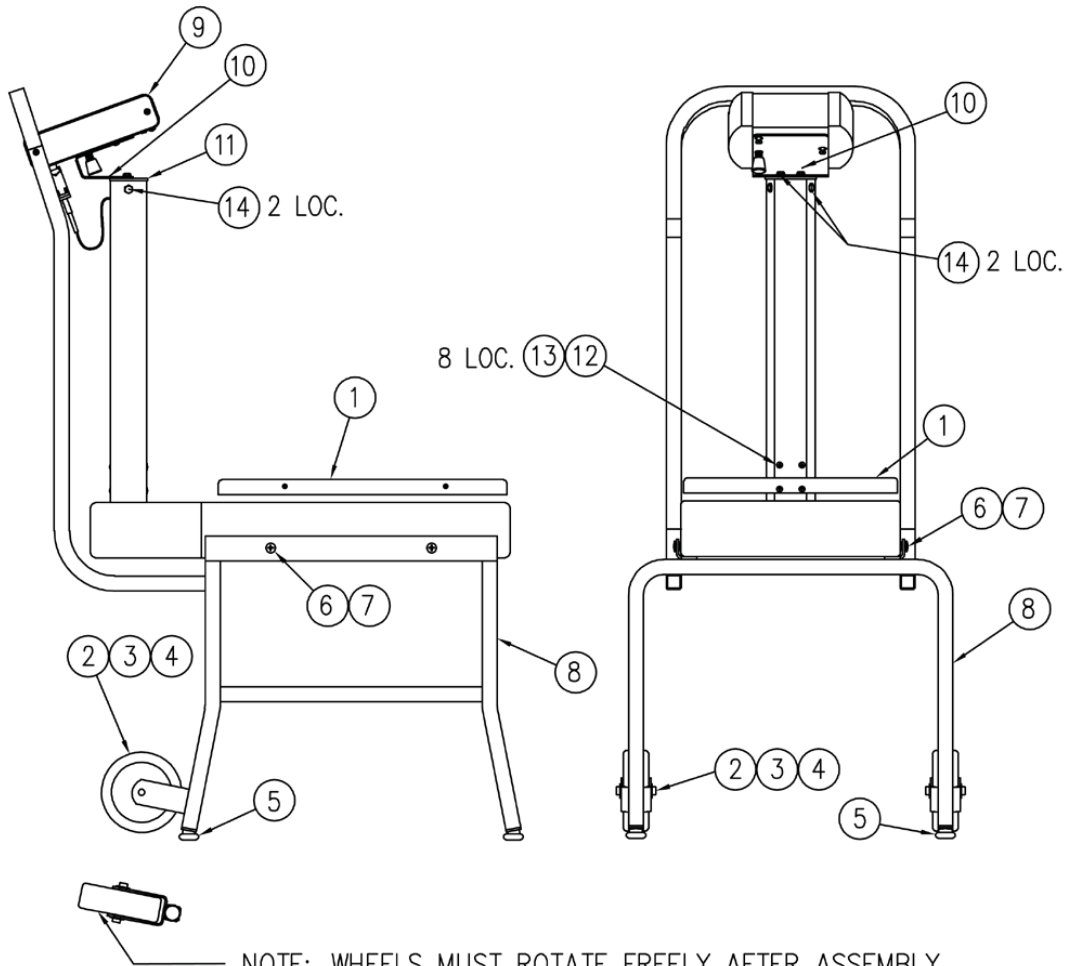


IMPORTANT!
ALWAYS lower the footrest after the patient is seated.
ALWAYS raise the footrest before the patient stands up.
NEVER STAND UPRIGHT ON THE FOOTREST!



REPLACEMENT PART IDENTIFICATION

BASE AND FRAME SUPPORT ASSEMBLY (0033-0561-0A)



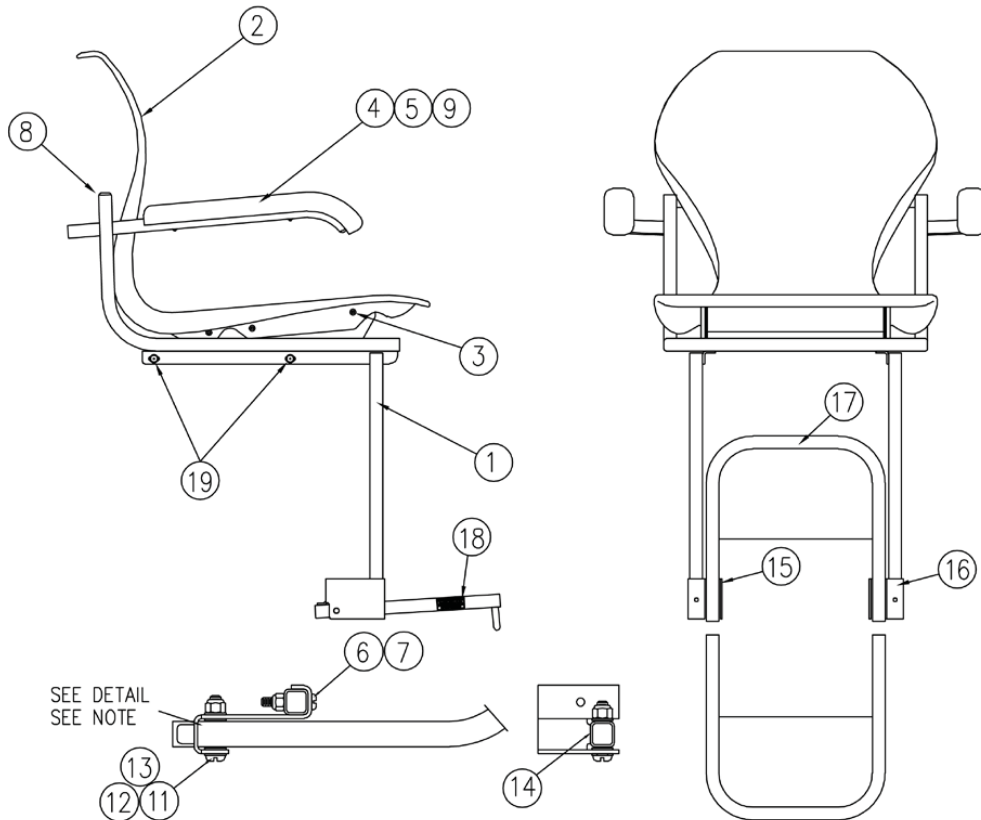
Item	Qty.	Part Number	Description
1	1	0033-0530-0A	DIGITAL SHORT COLUMN SCALE
2	2	574R918	WHEEL, 4-INCH DIAMETER
3	2	3P2184	SHAFT
4	4	399R1048	PUSH NUT, 5/16 INCH
5	4	3P9190	GLIDE, 3/4 INCH
6	4	6021-1427	PHILIP HEAD SCREW, 1/4-20 X 3/4 INCH
7	A.R.	6024-0003	LOCTITE 242, REMOVABLE, BLUE
8	1	0033-0560-0A	BASE STAND
9	1	750 750C	DIGITAL WEIGHT INDICATOR (6475, 6475K, 6475-ACUK) DIGITAL WEIGHT INDICATOR WITH WIFI/BT (6475C)
10	1	0033-B438-0A	750 DIGITAL WEIGHT INDICATOR MOUNTING BRACKET
11	1	*	COLUMN TOP CAP
12	8	*	M5 SCREW, PHILIP DRIVE
13	8	*	M5 LOCK WASHER
14	4	*	#10-32 SCREW HEX HEAD

A.R. (AS REQUIRED)

* PART COMES WITH ITEM 1 IN THE HARDWARE BAG

REPLACEMENT PART IDENTIFICATION, CONT.

CHAIR ASSEMBLY (0033-0516-2A)



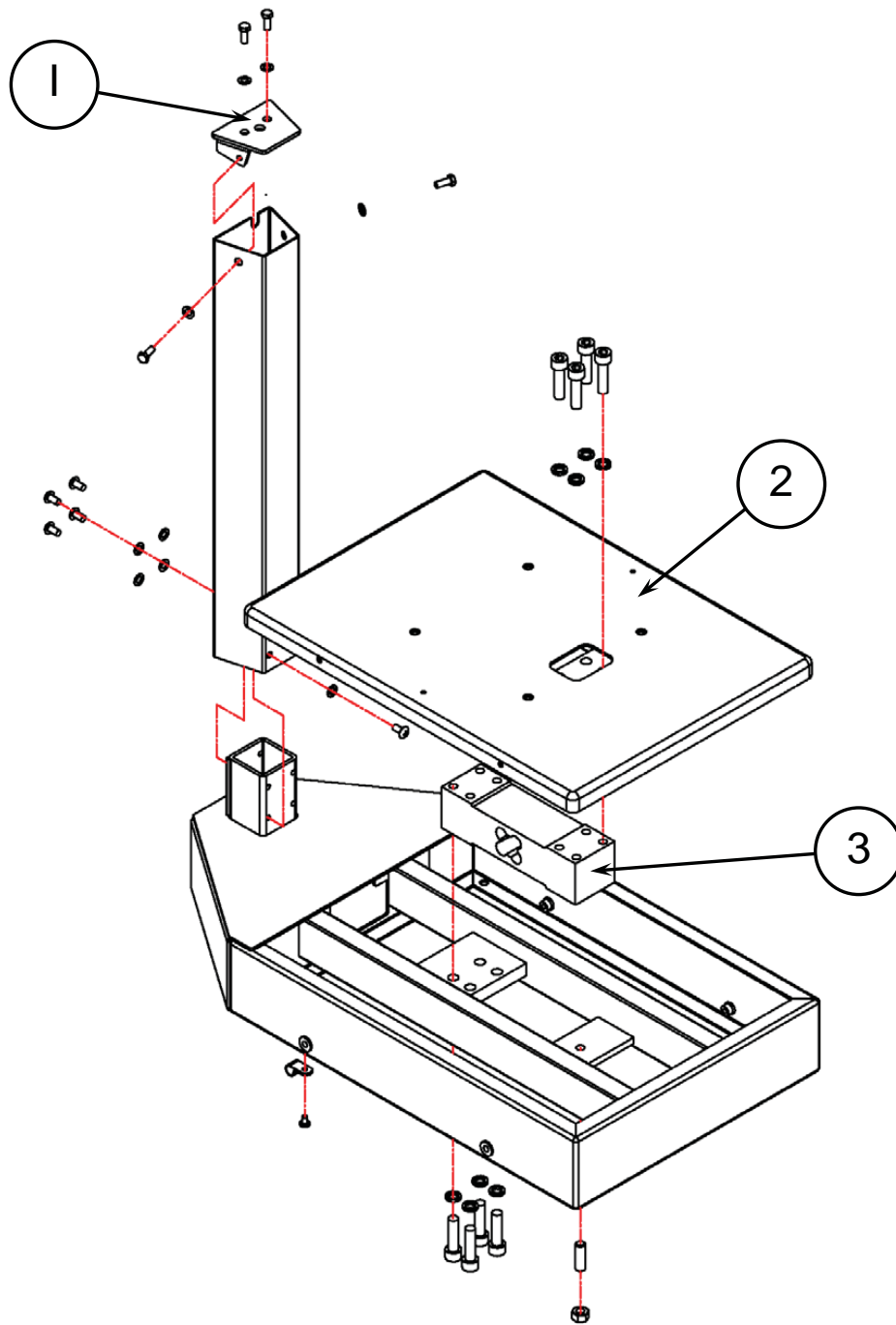
SEE DETAIL
SEE NOTE

NOTE:

WHEN ASSEMBLING ITEM 17 TO ITEMS 15, 16 USING ITEMS 11, 12, 13 TIGHTEN SO AS TO PUT TENSION OF SUFFICIENT FORCE TO HOLD ITEM 17 UPRIGHT. DO NOT OVER TIGHTEN.

Item	Qty.	Part Number	Description
1	1	0033-0515-2A	CHAIR WELDMENT
2	1	6540-1660	SEAT MARCO APEX
3	6	6021-2088	SCREW, TORX FORM, 10-24 x 1/2"
4	2	6540-0475	HAND REST
5	2	6540-1069	TUBE CAP, 3/4 INCH SQUARE
6	2	391RV204	NUT HEX ELASTIC, 1/4-20 UNC-2B
7	2	6021-1430	SCREW PAN HEAD 1/4-20 UNC-2A X 1 1/2 INCH
8	2	6540-1015	GLIDE, 3/4 INCH X 3/4 INCH
9	4	6021-6475	SCREW, OVAL HEAD, M6 X 1.0 X 30 PHILIP DRIVE Z/P
11	2	6021-1441	SCREW PAN HEAD, 5/16-18 UNC-2A X 1 3/4 PHILIP DRV
12	8	6024-1044	WASHER, FLAT 5/16 NYLON .06 THICK
13	2	6013-0410	NUT ELASTIC STOP, 5/16-18 UNC-2B
14	2	6540-1144	SAFETY MAT, CUT OUT 1/2 INCH SQUARE
15	1	0033-B341-18	HINGE BRACKET, LEFT HAND
16	1	0033-B341-28	HINGE BRACKET, RIGHT HAND
17	1	0033-C343-0A	FOOTREST TUBE ASSEMBLY
18	2	203R908	LABEL, CAUTION
19	4	6021-0002	SCREW, HEX/WASHER, #12 X 3/4 INCH

REPLACEMENT PART IDENTIFICATION, CONT. DIGITAL SHORT COLUMN SCALE ASSEMBLY (0033-0530-0A)



Item	Qty.	Part Number	Description
1	1	0033-0532-0A	TOP PLATE ASSEMBLY
2	1	0033-0533-0A	PLATFORM ASSEMBLY
3	1	0033-0534-0A	LOAD CELL ASSEMBLY

STATEMENT OF LIMITED WARRANTY

DETECTO warrants its equipment to be free from defects in material and workmanship as follows: DETECTO warrants to the original purchaser only that it will repair or replace any part of equipment which is defective in material or workmanship for a period of **two (2) years from date of shipment**. Detecto shall be the sole judge of what constitutes a defect.

During the **first ninety (90) days** DETECTO may choose to replace the product at no charge to the buyer upon inspection of the returned item.

After the first ninety (90) days, upon inspection of the returned item, DETECTO will repair or replace it with a remanufactured product. The customer is responsible for paying for the freight both ways.

This warranty does not apply to peripheral equipment not manufactured by DETECTO; this equipment will be covered by certain manufacturer's warranty only.

This warranty does not include replacement of expendable or consumable parts. This does not apply to any item which has deteriorated or damaged due to wear, accident, misuse, abuse, improper line voltage, overloading, theft, lightning, fire, water or acts of God, or due to extended storage or exposure while in purchaser's possession. This warranty does not apply to maintenance service. Purchased parts will have a ninety (90) day repair or replacement warranty only.

DETECTO may require the product to be returned to the factory; item(s) must be properly packed and shipping charges prepaid. A return authorization number must be obtained for all returns and marked on the outside of all returned packages. DETECTO accepts no responsibility for items lost or damaged in transit.

Conditions Which Void Limited Warranty

This warranty shall not apply to equipment which:

- A.) Has been tampered with, defaced, mishandled or has had repairs and modifications not authorized by DETECTO.
- B.) Has had serial number altered, defaced, or removed.
- C.) Has not been properly grounded according to Detecto's recommended procedure.

Freight Carrier Damage

Claims for equipment damaged in transit must be referred to the freight carrier in accordance with freight carrier regulations.

This warranty sets forth the extent of our liability for breach of any warranty or deficiency in connection with the sale or use of the product. DETECTO will not be liable for consequential damages of any nature, including but not limited to, loss of profit, delays or expenses, whether based on tort or contract. Detecto reserves the right to incorporate improvements in material and design without notice and is not obligated to incorporate improvements in equipment previously manufactured.

The foregoing is in lieu of all other warranties, express or implied including any warranty that extends beyond the description of the product including any warranty of merchantability or fitness for a particular purpose. This warranty covers only those DETECTO products installed in the forty-eight (48) contiguous continental United States.



Ph. (800) 641-2008
E-mail: detecto@cardet.com
102 E. Daugherty
Webb City, MO 64870

04/22/2024
Printed in USA
D268-WARRANTY-DET-B



DETECTO
102 E. Daugherty, Webb City, MO 64870 USA
Ph: 417-673-4631 or 1-800-641-2008
Fax: 417-673-2153
www.Detecto.com
Technical Support: 1-866-254-8261
E-mail: tech@cardet.com