

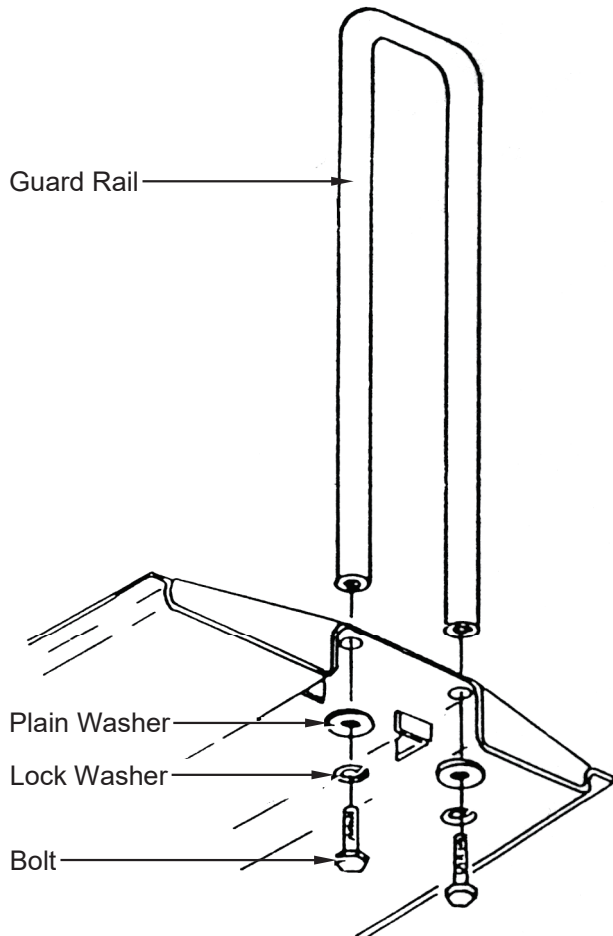
Set-Up Instructions for Detecto Wheelchair Scale Ramp, Guard Rail, and Counterweight

1. UNPACKING

- A. Before removing the wheelchair ramp from the carton, examine the carton for any sign of damage. Note that the purchaser is responsible for filing all claims for any damages or loss incurred during transit.
- B. Remove all packing material from the inside of the carton, and then remove the ramp.
- C. Keep the carton and all packing material until the ramp is installed and operational.

2. GUARD RAIL ASSEMBLY

Assemble the guard rail to the rear of the ramp as shown in the image below.

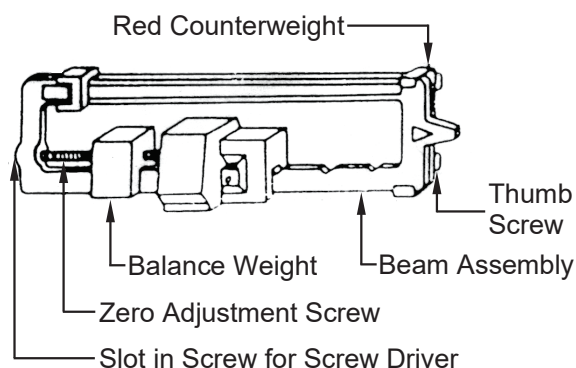


3. SCALE AND RAMP ASSEMBLY

- A. Remove the black plastic platform cover from the scale. *The platform cover can only be used when the wheelchair ramp is not in use.*
- B. Place wheelchair ramp on the scale, making sure to match the four (4) elevated corners of the ramp with that of the scale platform.

4. COUNTERWEIGHT ASSEMBLY

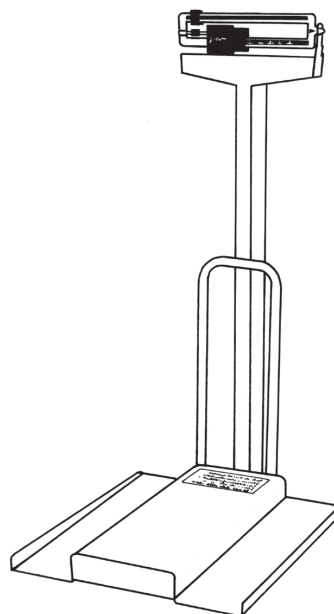
Attach counterweight and two (2) thumb screws, and then adjust the balance weight on the beam assembly so that the beam balances at zero.



5. IMPORTANT NOTES

The wheelchair ramp can only be used with the Detecto Physician's scale. The capacity must be 450 lb or 200 kg.

The height rod included with the Physician Scale *cannot be used with the wheelchair ramp* and must be removed before installing the ramp.



Cardinal Scale Manufacturing Co.
102 E. Daugherty, Webb City, MO 64870 USA
Ph: 417-673-4631 or 1-800-641-2008
Fax: 417-673-2153

Technical Support: 1-866-254-8261
E-mail: tech@cardet.com