



DETECTO®

www.Detecto.com

DL Series Price Computing Scale with Integral Printer Operation Manual



INTRODUCTION

Thank you for purchasing our Detecto DL Series Price Computing Scale with Integral Printer. Your scale has been designed to operate from 115 VAC 50/60 Hz.

This manual will guide you through setup and operation of your scale. Please read it thoroughly before attempting to operate this scale and keep it handy for future reference.

COPYRIGHT

All rights reserved. Reproduction or use, without expressed written permission, of editorial or pictorial content, in any manner, is prohibited. No patent liability is assumed with respect to the use of the information contained herein.

DISCLAIMER

While every precaution has been taken in the preparation of this manual, the Seller assumes no responsibility for errors or omissions. Neither is any liability assumed for damages resulting from use of the information contained herein. All instructions and diagrams have been checked for accuracy and ease of application; however, success and safety in working with tools depend to a great extent upon the individual accuracy, skill and caution. For this reason the Seller is not able to guarantee the result of any procedure contained herein. Nor can they assume responsibility for any damage to property or injury to persons occasioned from the procedures. Persons engaging the procedures do so entirely at their own risk.

SERIAL NUMBER _____
DATE OF PURCHASE _____
PURCHASED FROM _____

RETAIN THIS INFORMATION FOR FUTURE USE

PRECAUTIONS

Before using this product, read this manual and pay special attention to all "NOTIFICATION" symbols:



IMPORTANT



ELECTRICAL
WARNING

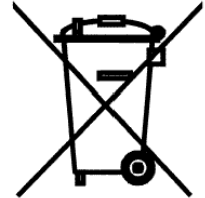


STATIC
SENSITIVE

PROPER DISPOSAL

When this device reaches the end of its useful life, it must be properly disposed of. It must not be disposed of as unsorted municipal waste. Within the European Union, this device should be returned to the distributor from where it was purchased for proper disposal. This is in accordance with EU Directive 2002/96/EC. Within North America, the device should be disposed of in accordance with the local laws regarding the disposal of waste electrical and electronic equipment.

It is everyone's responsibility to help maintain the environment and to reduce the effects of hazardous substances contained in electrical and electronic equipment on human health. Please do your part by making certain that the device is properly disposed of. The symbol shown to the right indicates that this device must not be disposed of in unsorted municipal waste programs.



FCC COMPLIANCE STATEMENT

This equipment generates, uses, can radiate radio frequency, and if not installed and used in accordance with the instruction manual, may cause interference to radio communications. It has been designed within the limits for a Class A computing device pursuant to Subpart J of Part 15 of FCC rules to provide reasonable protection against such interference when operated in a commercial environment. Operation of this equipment in a residential area may cause interference in which case the user will be responsible to take whatever measures necessary to correct the interference.

You may find the booklet "How to Identify and Resolve Radio TV Interference Problems" prepared by the Federal Communications Commission helpful. It is available from the U.S. Government Printing Office, Washington, D.C. 20402. Request stock No. 001-000-00315-4.

TABLE OF CONTENTS

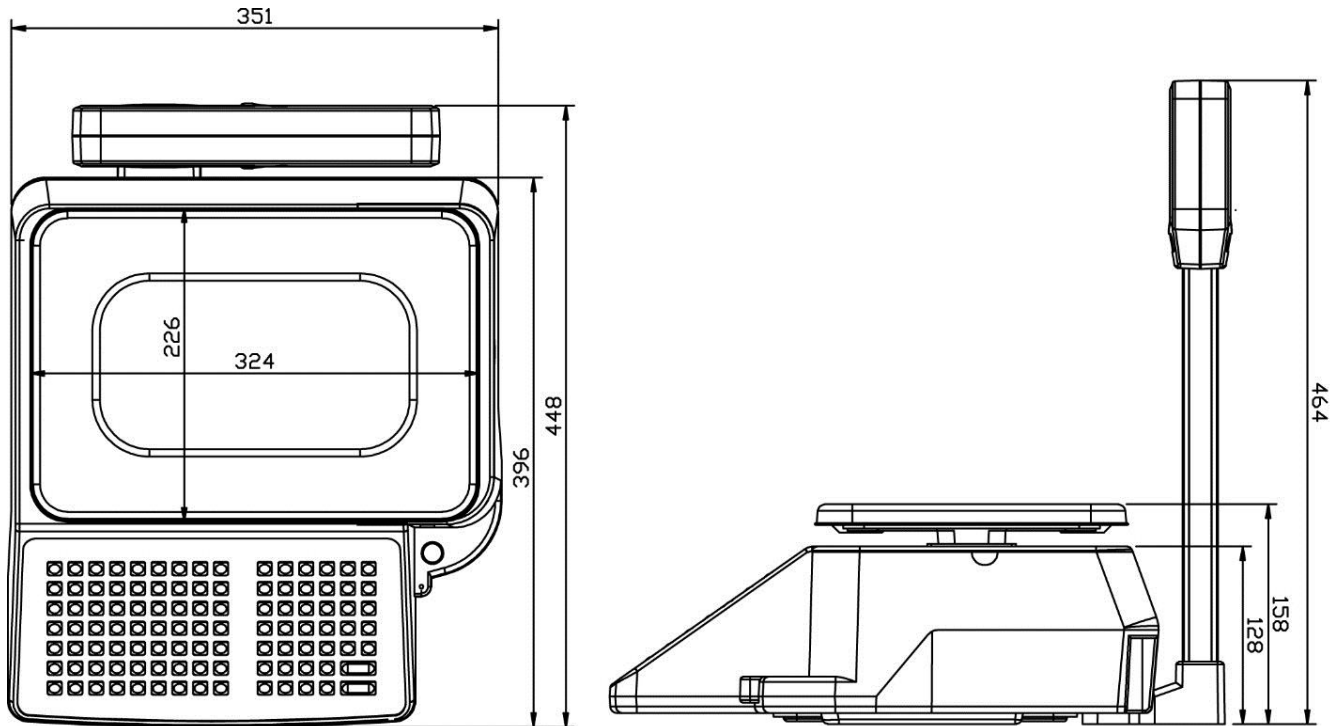
SPECIFICATIONS	1
ABREVIATIONS AND GLOSSARY	2
INSTALLATION	3
Attachment of Tower Display	3
Placement	3
Level Adjustment	3
Power Connection	3
PRINTER	4
Install Gap Labels	4
Gap Paper Mounts Recycle	6
Install Plain Paper	6
Operations Concerning Paper	7
Abnormity of Gap Paper Print	7
KEYPAD FUNCTIONS	8
DISPLAY ANNUNCIATORS	12
Tare (lb) Window	12
Weight (lb)/Pcs Window	12
Change (\$)/Unit \$/lb Window	12
Total Price (\$) Window	13
Dot Matrix Display	13
OPERATION INDICATORS	14
SET DATE, TIME AND STORE NAME	15
FAST PLU PROGRAMMING	16
QUICK KEY PROGRAMMING	17
OPERATION	18
Basic PLU Transaction	18
By Weight	18
By Count	18
Tare	18
Weight Tare	18
Keypad Tare	19
Lock and Unlock Tare	19
Batch Print Mode (only for piece count PLU)	20
Pre-Pack Mode (only for weight PLU)	20
Temporary-Sale by Weight	21
Temporary-Sale by Count	21
Price Discount by Subtraction	21

TABLE OF CONTENTS, CONT.

REPORT PRINTING OPERATION	22
Print Total Report	22
Print PLU Report	23
Clear Report Information Manually	24
Clear All Reports and Records Information	24
PRINT FORMAT	25
BARCODE PRINTING	26
ERROR CODES	27
CARE AND CLEANING	29

SPECIFICATIONS

Models:	DL1030	DL1030P with tower pole display	DL1060	DL1060P with tower pole display
Capacity:	30 lb x .01 lb		60 lb x .02 lb	
Platform Size:	L x W = 12.8 x 8.9 in (324 x 226 mm)			
Scale Size:	L x W x H = 15.6 x 13.8 x 6.2 in (396 x 351 x 158 mm)			
Integrated Rear Display With Tower Pole Display	L x W x H = 17.6 x 13.8 x 18.3 in (448 x 351 x 464 mm)			
Display:	4 LED display windows and 1 Dot matrix text screen			
LED Display:	4 digits for tare 5 digit for weight,		6 digit for unit price 6 digit for total price	
Ports:	Ethernet, RS232 Serial, USB, and Cash Drawer			
Power:	20VDC, 4A with positive center, AC adaptor			
Operating Temperature:	32 ~ 104°F (0° ~ 40°C)			
Printer:	Thermal Print			
Print Media:	58mm x 40mm and 40mm x 30mm gap thermal paper 58mm and 40mm width plain thermal paper			
PLU:	5990			



ABBREVIATIONS AND GLOSSARY

PLU	Price or Product Look Up. e.g. Identification number affixed to produce and other products
Weight PLU	By Weight PLU
Count PLU	By Count PLU
Dept.	Department
U. Price	Unit price
T. Price	Total Price
Prog	Program key or menu
F Prog	Fast program key or menu
Spec	Specification. Parameter that control the behavior of the scale
T-Sale	Temporarily Sale
Amount	The quantity of the goods, weight or count. It means weight (lb) for weight PLU and count (pcs) for count PLU

INSTALLATION

Included in carton find:

- Scale
- Tray - 2 pcs: plastic tray & metal top
- Display pole and screw pack (DL1030P only)
- Operation Manual
- DL Series Setup Utility CD
- Four (4) overlays for shortcut PLU
- Power Cord

Attachment of Tower Display

Remove cover tower bracket on bottom of base. Place the tower display in close proximity to the base. Connect tower cable to circuit board in base. Gently slide the tower post into the bracket. Fasten the tower to base with two bolts provided. Replace bracket cover.

Placement

Place the scale in an environment free of excessive dust and moisture and on a stable, vibration-free level surface away from direct sunlight and any rapidly moving air source (heating/cooling vents, fans, etc.). This will prevent sudden temperature changes and air currents that may result in unstable weight readings.



WARNING! DO NOT place the scale on any unstable cart, stand or table. The scale may fall causing injury to the operator, and damage the unit, or proper operation of the scale may be inhibited.

Level Adjustment

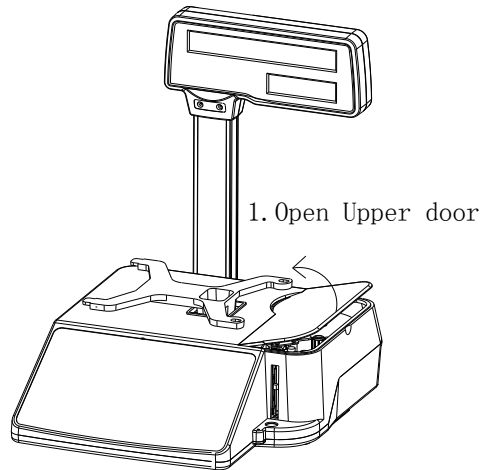
Check to make certain the scale is level. The level indicator is located at the front of the scale. If the scale is not level (the bubble will not be centered), adjust the mounting feet as required to center the bubble and attain a level scale.

Power Connection

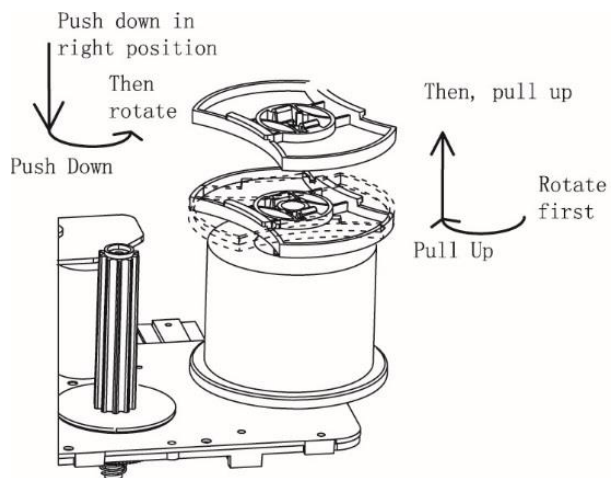
The scale uses an external AC power cord that is to be used in a standard 110/120 VAC 50/60Hz grounded wall outlet.

PRINTER

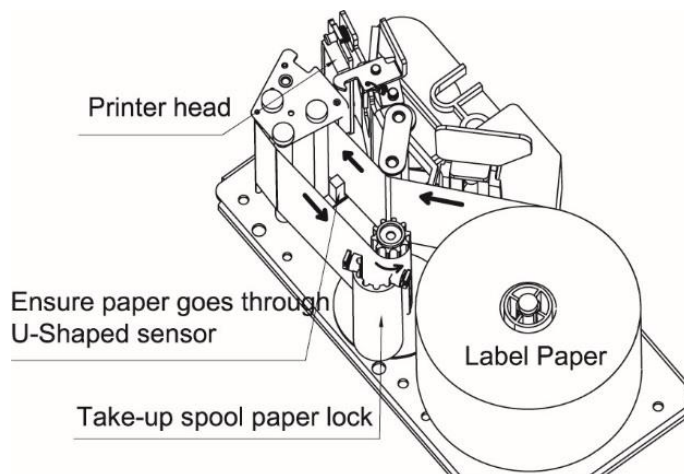
Install Gap Labels



Step 1 - Open door of scale printer

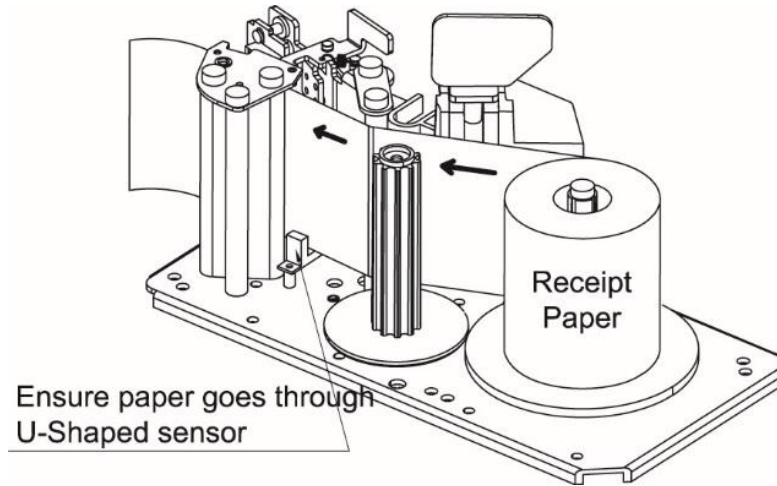


Step 2 - Remove paper retainer

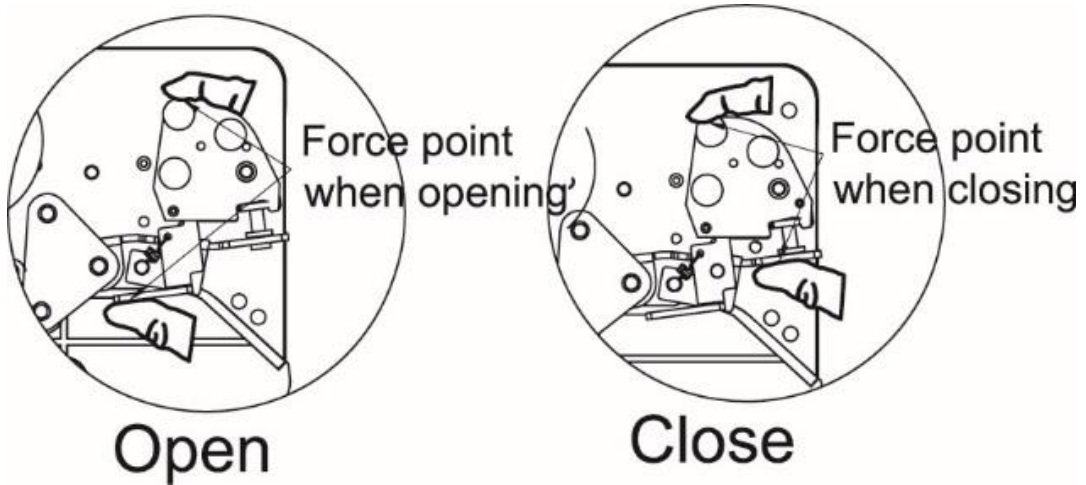


Step 3 - Paper through

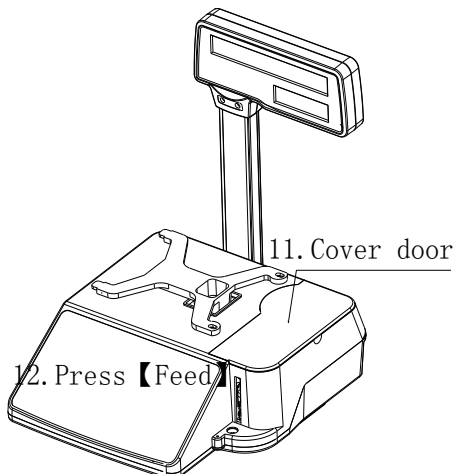
PRINTER, CONT.



Step 4 - Paper path



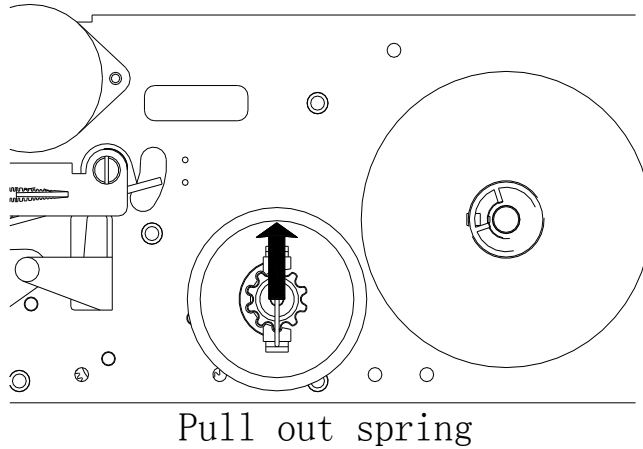
Step 5 - Finish paper install



Step 6 - Close door of scale printer

PRINTER, CONT.

Gap Paper Mounts Recycle



Step 7 - Gap paper mounts recycle

Install Plain Paper

Different from the way in installing gap paper shown. U-shaped paper retaining spring is not needed anymore. All you need to do is to put the paper into the paper sensor and let the tear part be outside.

PRINTER, CONT.

Operations Concerning Paper

- **【Paper Type】** : Make sure the type of paper set is the same as the type used. When **〔Gap Paper〕** is light in the display, you should set to use gap paper. Otherwise you should set to use plain paper. If the type of paper you set to use is different from the type currently used, please long press **【Paper Type】** to change the set.
- **【Feed】** : After installing the paper, press **【Feed】** . You can also press **【Feed】** to clear abnormalities of the printer and make paper roll for a certain length.

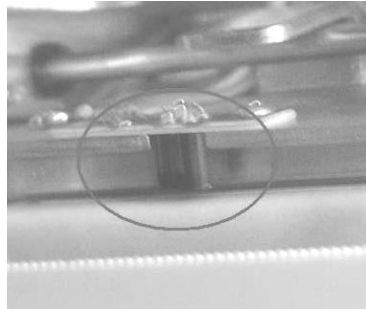
Abnormity of Gap Paper Print

Users of plain paper don't do any adjustment for this.

Abnormity of printer parameters may happen when gap paper prints are abnormal, paper goes out continuously, or printer can't work after one paper is printed, printing parameter maybe have abnormity

Users need to check if paper type is right first. Then users could follow these operations below to eliminate malfunctions:

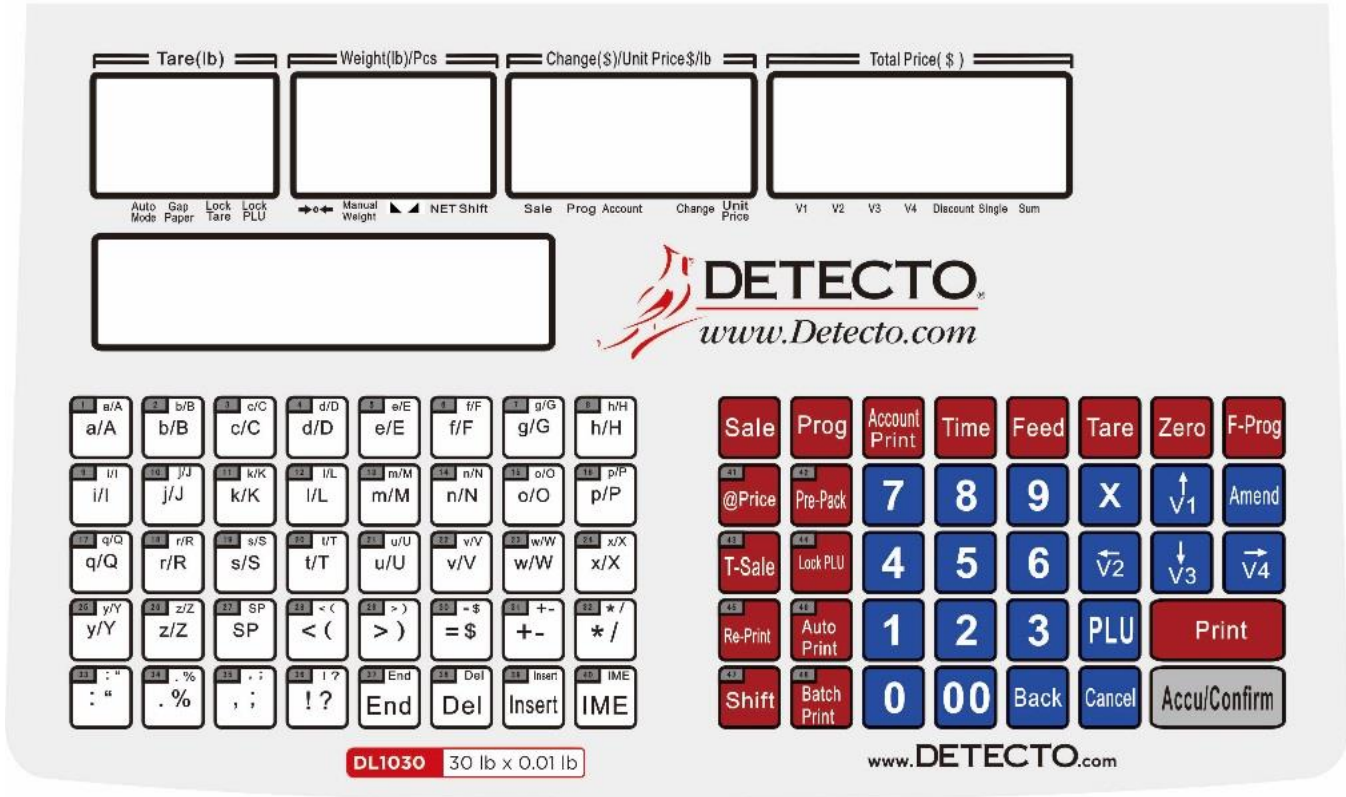
- Install gap paper, and make the edge of gap paper not exceed print head. (Not block the paper-out sensor)



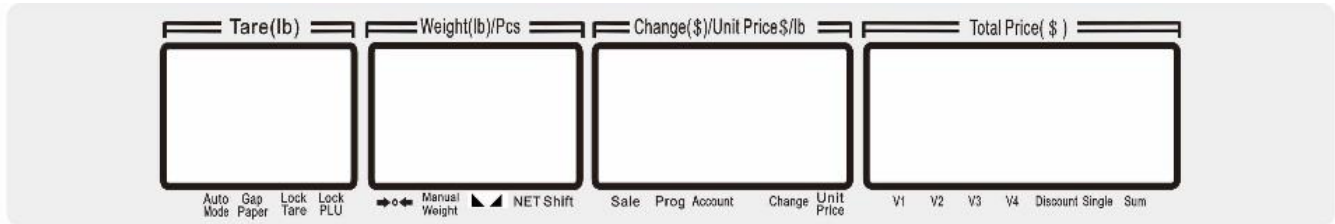
Paper-Out sensor

- Switch off the scale. Press the **【Feed】** key then switch on the scale, hold this key until finished self-checking and go into work interface
- Printer would roll out the paper at the length of 50mm. automatically
- After the paper is rolled out, malfunctions have been eliminated if without any warning. If alarm E7.10 means calibration abnormity, please try again after confirming the sticker prepper has been used.
- Then, press **【Feed】** to print the test page
- Go to normal operation processes.

KEYPAD FUNCTIONS

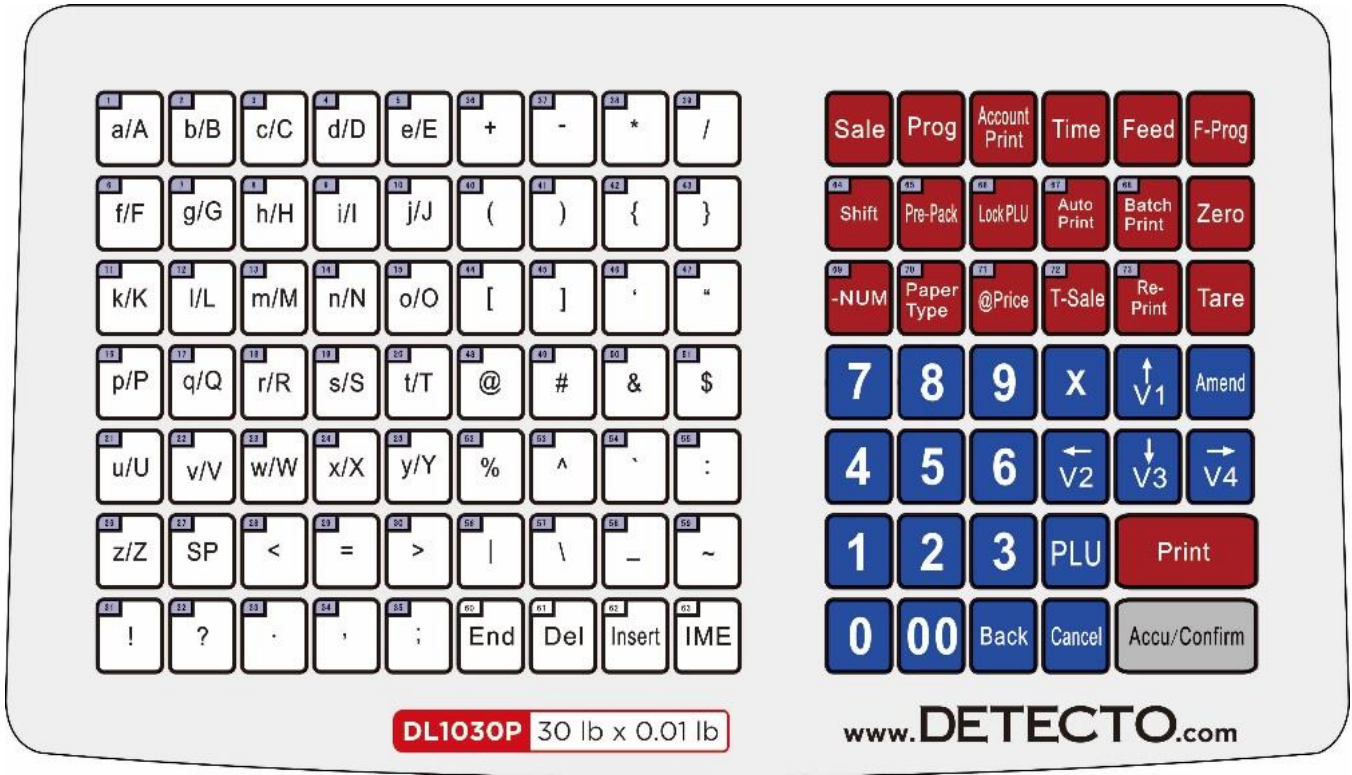


DL1030 Keypad and Front Display

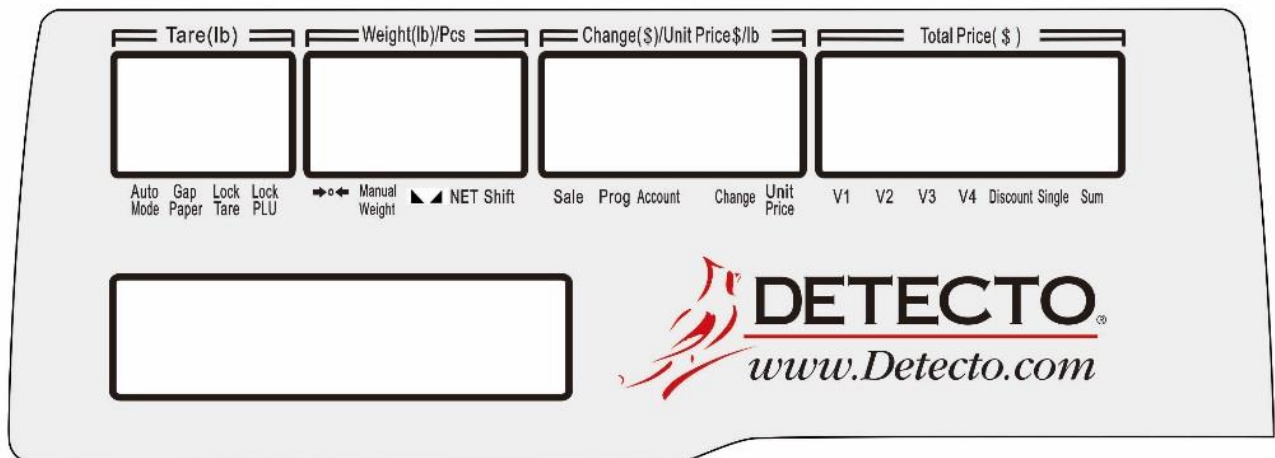


DL1030 Rear Display

KEYPAD FUNCTIONS, CONT.



DL1030P Keypad



DL1030P Display

KEYPAD FUNCTIONS, CONT.

Key	Function
Sale	Enter sale mode and execute the operation of goods sale.
Prog	Enter program mode to program parameters, PLU, print formats, time, etc.
Account Print	Enter Account mode to inquire about transaction data or print reports and so on.
Time	Display current time and return to the previous interface when you press it again.
Feed	Press this key to feed gap thermal paper and plain thermal paper through the printer. Unprinted buffer data will be cleared in the process of feed.
F-Prog	Quick access to changing setting and values of PLU's in sales mode. It is always used for combination of keys, which is similar to F keys of a PC keyboard. Please refer to process instructions to understand the use of combination keys.
Shift	Used for extending PLU shortcut key, and switching case sensitivity in text input interface.
Pre-Pack	These keys allows you to switch between other sales modes. If the current sale buffer is empty, the user can long-press these keys to reenter sales mode selected.
Lock PLU	
Auto Print	
Batch Print	
Zero	Clear current weight and reset to zero within allowed range.
-NUM	Discount in subtraction.
Paper Type	Press for 4 seconds to switch between gap thermal paper and plain thermal paper.
@ Price	Used to override the unit price of the PLU. When spec 083 is active, modified price will be saved.
T-Sale	Set input number as Unit Price and set a temporary PLU. You can amend the temporary weight PLU's unit in Spec
Re-print	Repeat last print in current buffer (Repeated print data would not be stored in deal records as sale record.). This function can be forbidden in Spec.
Tare	Manually enter and remove Tare.

KEYPAD FUNCTIONS, CONT.

Key	Function
0 – 9, 00	Numerical keys to input corresponding numbers.
X	Input count amount in count sale or do temporary count goods sale according to input U.Price.
Amend	Amend transaction data in sale interface and store amended data in the program interface.
V1-V4	Activate corresponding sale buffers.
↑←↓→ (Arrows)	Switch among sequential steps and numbers in the program and account interfaces.
PLU	When you type a PLU number and press this key, it will call up that PLU
Print	Print labels or receipts according to setting
Back	Delete the last input data. Return to previous step without saving.
Cancel	Clear data, cancel operations or go back to previous step
Accu /Confirm	Save accumulative transaction data into activated sale buffer and other confirmation operations.

SP	Input a Space when entering characters.
End	End character, all characters after cursor are deleted
Del	Delete the character at position of cursor
Insert	Enter into insert mode. Insert mode is activated when cursor is flashing
IME	Input method editor. Switch the input languages: En-1(in small letters), En-2 (in big letters), press accumulate to confirm

DISPLAY ANNUNCIATORS

Tare (lb) Window

Annunciator	Function
Auto Mode	Is turned on to indicate auto mode. When in auto mode, lock PLU will active. In this mode, pre-pack or batch print is executed based on Spec078 and Spec079.
Gap Paper	Is turned on when paper type is gap paper. It is off when paper type is plain paper.
Lock Tare	Is turned on when tare is locked. Long press 【Tare】 would lock tare. Under this condition, tare would not be cleared after the sale. Long press 【Tare】 again would exit lock tare.
Lock PLU	Is turned on when PLU is locked. Long press 【PLU】 would lock PLU. Under this condition, former PLU sale state would remain the same after the sale. And it will last until new PLU is transferred. Long press 【PLU】 again would exit lock PLU.

Weight (lb)/Pcs Window

Annunciator	Function
➡0←	Zero weight annunciator – Is turned on when weight is at zero and stable
Manual Weight	Is turned on when manual weight is displayed.
▲▲	Stable weight indicator – Is turned on when weight is stable
NET	Net weight indicator
Shift	Is turned on when 【Shift】 key is pressed.

Change (\$)/Unit Price \$/lb Window

Annunciator	Function
Sale	Indicates Scale is in Sale Mode
Prog	Is turned on when in Program Mode
Account	Is turned on when in Account Mode
Change	Is turned on to indicate the data in Change(\$)/Unit Price \$/lb window is displayed as change.
Unit Price	Is turned on to indicate the data in Change(\$)/Unit Price \$/lb window is displayed as goods U.Price.

DISPLAY ANNUNCIATORS, CONT.

Total Price (\$) Window

Annunciator	Function
V1 ~ V4	Is turned on when there are buffers in V1~V4 records. Will be flashing when in edit mode.
Discount	To display single means that current goods has been discounted in U.Price; To display total means that current accumulative total has been discounted in T.Price
Single	Is turned on when total price of current goods is displayed in Total Price(\$) window
Sum	Is turned on when the sum total price of current sale buffers (V1~V4) is displayed in Total Price(\$) window

Dot Matrix Display

DI103P units have an additional 160×32 dot matrix LCD display. It displays time or ad-message or accumulation record in idle mode; and displays PLU's name in PLU mode.

OPERATION INDICATORS

Key Notation

【】 denotes Key [] denotes Display Annunciator

【F-Prog】 + 【PLU】 . indicates press keys 【F-Prog】 and 【PLU】 same time.

【1】 【0】 【→】 indicates press key 【1】 then press 【0】 then press 【→】

Audible Signals

1 Short beep	Confirm key press
1 Long beep and 2 Short Beeps	Indicates incorrect key press
Repetitive short beeps	Error, scale will display error code Ex.xx
2 Beeps (Long key press)	Confirms long key press

Character Reference

0 1 2 3 4 5 6 7 8 9

Number Characters 0~9

A B C d E F G H i j k L ñ

Characters A~M

n o P q r s t U u y 1 2 3

Characters N~Z

- _ ' : ;

Dash, under line, above line, three lines of special symbols

SET DATE, TIME AND STORE NAME

Set Time & Date

Scale State / Operation	Key	Display				Comment
		Tare	Weight / Pcs	Change / Unit Price	Total	
Idle	【Prog】 【1】 【1】.	F23	PLU.00	noSEt	0	〔Prog〕 on
Move cursor to display position to be changed	【←V2】 【→V4】					
Use Number keys to enter time & date	【0】 - 【9】					
Save settings	【Amend】					
Return to normal operation	【Sale】					

Program Store Name

Scale State / Operation	Key	Display				Comment
		Tare	Weight / Pcs	Change / Unit Price	Total	
〔Sale Idle〕		0.000	0.000	0.00	0.00	〔Sale〕 , 〔Sum〕 on.
Enter program	【Prog】	P1	TMSet			〔Prog〕 on.
Enter TMSet	【1】	P11	TMSet	Time		
Enter String	【3】	P13	ST.000	ShopN	Push-OK	ST.000 is store name.
			String No.	String Info		
Switch to device name	【→】	P13	ST.001	ScaleN	Push-OK	ST.001 is device name.
Switch to store name	【←】	P13	ST.000	ShopN	Push-OK	
Enter editing	【Confirm】	EN-1	0			
Clear original text	【End】	EN-1	0			In view of have original text, Suggesting users press 【End】 before editing to clear former text.. If modify on original literal, use 【←】 【→】 to move cursor to target position
Switch to EN-2	【Switch】	EN-2	0		0	
Save editing text	【Amend】	P13	PLU.14	Name	OK-Edit	Save to the scale.
Return to sale mode	【Sale】	0.000	0.000	0.00	0.00	〔Sale〕 , 〔Sum〕 on.

FAST PLU PROGRAMMING

Fast Programming of PLU

Scale State / Operation	Key	Display				Comment
		Tare	Weight / Pcs	Change / Unit Price	Total	
Enter program mode Press F-Prog + PLU at same time	【F-Prog】 + 【PLU】 .	F23	PLU.00	noSEt	0	〔Prog〕 on
Enter PLU Press right arrow	【1】【0】 . 【→】 .	F23	PLU.00	noSEt	10	
Enter item code Press right arrow	【1】【2】【3】【4】 【→】 .	F23	PLU.01	lcode	1234	
Enter unit of measure: weight or count Press right arrow	【1】 【→】 .	F23	PLU.03	Unit	1	0, 1 = Default weight lb. 6 = Weight lb. 2 = Piece Count
Enter unit price Press right arrow	【2】【5】【0】 【→】 .	F23	PLU.04	Price	2.50	
Tare	【→】 .	F23	PLU.06			
PLU name		F23	PLU.14	Name	OK-Edit	
Enter Text edit mode	【Accu/Confirm】	En-1	0			
<i>Note:</i>	Press 【IME】 .Input-Method-Edit to switch input type En-1 Lowercase En-2 Uppercase UTF-8 ISN Code					
Enter PLU Name using Alpha-Numeric Keys	【A】 - 【Z】 .. 【0】 - 【9】 ..					Press 【Shift】 to change letter case
<i>Example</i>	【A】【p】【p】【l】 【e】					
Save PLU Name Press right arrow	【Amend】 【→】 .					
Shelf Date Print Press right Arrow	【0】 .or 【1】 . 【→】 .	F23	PLU.26	PS-Ud	1	O= No, 1= Yes
If Shelf Date Print Yes Enter Shelf Days using numeric keys	【1】 - 【9】 .	F23	PLU.31	PC-Ud	X	Where X= number of days entered
Save PLU	【Amend】	F23	PLU.00	noSEt	0	

QUICK KEY PROGRAMMING

Programming of Quick Key

【QK】 denotes the Quick Key to be programmed such as a/A.

Scale State / Operation	Key	Display				Comment
		Tare	Weight / Pcs	Change / Unit Price	Total	
Enter Quick Key Program Mode	【F-Prog】 + 【QK】 .	F14	SCPLU	1-01	1	
Enter PLU	【1】【0】 .	F14	SCPLU	1-01	10	
Save	【Amend】	F14	SCPLU			

OPERATION

Basic PLU Transaction

By Weight.

Scale State / Operation	Key	Display				Comment
		Tare	Weight / Pcs	Change / Unit Price	Total	
<i>Idle</i>		0.00	0.000	0.00	0.00	
Place goods on scale		0.00	2.00	0.00	0.00	
Enter PLU Press PLU	【1】【0】 . 【PLU】 .	0.00	2.000	2.50	5.00	
Print Label	【Print】 .	0.00	2.000	0.00	0.00	
Remove goods		0.00	0.00	0.00	0.00	

By Count

Scale State / Operation	Key	Display				Comment
		Tare	Weight / Pcs	Change / Unit Price	Total	
<i>Idle</i>		0.00	0.000	0.00	0.00	
Enter PLU Press PLU	【1】【2】 . 【PLU】 .	0.00	0.00	1.00	1.00	
Enter PLU quantity	【X】 . 【5】 .	0.00	5	1.00	5.00	
Print Label	【Print】 .	0.00	0.00	0.00	0.00	

Tare

Weight Tare

Examples show tare of container weighing 0.25 lb.

Scale State / Operation	Key	Display				Comment
		Tare	Weight / Pcs	Change / Unit Price	Total	
<i>Idle</i>		0.00	0.000	0.00	0.00	
Place container on scale		0.00	0.25	0.00	0.00	
Press Tare	【Tare】	0.25	0.00	0.00	0.00	Tare on
<i>Note:</i>	With all weight removed, press Tare key again to cancel					Tare off

OPERATION, CONT.

Keypad Tare

Scale State / Operation	Key	Display				Comment
		Tare	Weight / Pcs	Change / Unit Price	Total	
<i>Idle</i>		0.00	0.000	0.00	0.00	
Enter Tare weight using numeric keys	【2】【5】	0.00	0.25	0.00	0.00	
Press Tare	【Tare】	0.25	-0.25	0.00	0.00	Tare on
<i>Note:</i>	Weight will show negative until container placed on scale					
<i>Note:</i>	With all weight removed, press Tare key again to cancel					Tare off

Lock and Unlock Tare

Lock Tare and Unlock Tare

Operations	Keys	Display				Comment
		Tare	Weight / Pcs	Change/ Unit Price	Single/ Total	
Lock tare	Long Press 【Tare】					⌘ Lock Tare ⌘ on
Other operations						
Unlock tare	Long Press 【Tare】					⌘ Lock Tare ⌘ off

Note 1 When you long press **【Tare】**, you can hear one beep first (beep for correctness or error). Hold pressing for 4 seconds you will hear the beep for correctness.

Note 2 Once tare locked, it cannot be changed or cleared automatically.

Note 3 Only manual tare can change tare. If a PLU has PLU Tare, Lock Tare cannot overwrite PLU tare.

Note 4 Once tare locked, it cannot be unlocked unless users unlock tare manually.

OPERATION, CONT.

Batch Print Mode (only for piece count PLU)

Example PLU11 is weight PLU with Unit Price \$2.00/pc

Operations	Keys	Display				Comment
		Tare	Weight / Pcs	Change/ Unit Price	Single/ Total	
〔Sale Idle〕		0.000	0.000	0.00	0.00	〔Sale〕 , 〔Sum〕 on.
Enter batch print mode	【Batch Print】	0.000	0.000	0.00	0.00	〔Auto Mode〕 on
Transfer PLU11	【1】【1】【PLU】			5.00	5.00	〔Unit Price〕 , 〔Single〕 on.
Input quantity	【×】【5】		5	5.00	25.00	If quantity is 1, omit this step
Confirm sale object	【Print】		Input	Count	0	
Input the number of print copies	【5】		Input	Count	5	
Confirm the number	【Accu/Confirm】					
Print 5 copies						Press 【Cancel】 to exit print in midway.
Print ends		5	5.00	5.00		
Exit quantity input			5.00	25.00		
Exit Batch Print	【Batch Print】	0.000	0.00	0.00	0.000	〔Auto Mode〕 off.

Pre-Pack Mode (only for weight PLU)

Example PLU10 is weight PLU with Unit Price \$2.00/lb.

Operations	Keys	Display				Comment
		Tare	Weight / Pcs	Change/ Unit Price	Single/ Total	
〔Sale Idle〕		0.000	0.000	0.00	0.00	〔Sale〕 , 〔Sum〕 on.
Enter prepack mode	【Pre-Pack】	0.000	0.000	0.00	0.00	〔Auto Mode〕 , 〔Lock PLU〕 on
Transfer PLU10	【1】【0】 【PLU】	0.000	0.000	2.00	0.00	〔Unit Price〕 , 〔Single〕 on.
Put goods PLU10 on		0.000	0.900	2.00	1.80	
After weight is stable.		0.000	0.900	0.00	1.80	Print automatically.
Take goods PLU10 off		0.000	0.000	0.00	0.00	
Put goods PLU10 on		0.000	1.900	2.00	3.80	
After weight is stable.		0.000	1.900	0.00	0.00	Print automatically.
Take goods PLU10 off		0.000	0.000	0.00	0.00	
Exit PLU	【Cancel】					〔Sum〕 on.
Exit Auto Mode	【Pre-Pack】					〔Auto Mode〕 , 〔Lock PLU〕 off.

OPERATION, CONT.

Temporary-Sale by Weight

Operations	Keys	Display				Comment
		Tare	Weight/ Count	Change/ Unit Price	Single/ Total	
〔Sale Idle〕		0.000	0.000	0.00	0.00	〔Sale〕 , 〔Sum〕 on.
Input Unit Price	【1】【3】【0】	0.000	0.000	1.30	0.00	
Set as a temporary weight PLU,	【T-Sale】	0.000	0.000	1.30	0.00	〔Unit Price〕 , 〔Single〕 on.
Clear current PLU	【Cancel】	0.000	0.000	0.00	0.00	〔Sum〕 on.

Temporary-Sale by Count

Operations	Keys	Display				Comment
		Tare	Weight/ Count	Change/ Unit Price	Single/ Total	
〔Sale Idle〕		0.000	0.000	0.00	0.00	〔Sale〕 , 〔Sum〕 on.
Input Unit Price	【1】【7】【0】	0.000	0.000	0.85	0.00	
Set as a temporary count PLU	【×】【2】		2	0.85	1.70	〔Unit Price〕 , 〔Single〕 on.
Clear current PLU	【Cancel】	0.000	0.000	0.00	0.00	〔Sum〕 on.

Price Discount by Subtraction

Operations	Keys	Display				Comment
		Tare	Weight/ Count	Change/ Unit Price	Single/ Total	
〔Sale Idle〕		0.000	0.000	0.00	0.00	〔Sale〕 , 〔Sum〕 on.
Transfer PLU10	【1】【0】 【PLU】	0.100	-0.100	2.00	0.00	〔Unit Price〕 , 〔Single〕 on.
Input discount data	【1】【0】	0.100	-0.100	0.10	0.00	
Discount in subtraction	【-Num】	0.100	-0.100	1.90	0.00	〔Discount〕 on.
Clear current PLU	【Cancel】	0.000	0.000	0.00	0.00	〔Sum〕 on.

REPORT PRINTING OPERATION

Print Total Report

Total reports are divided into total daily report, total monthly report, total quarterly report and total manual report. Each report owns 32 buffer zones (0~31).

Take total daily report as an example: The buffer zone 0 stores total daily report of current day; buffer zone 1 stores total daily report of the last day. The rest may be deduced by analogy. So buffer zone 31 stores total daily report of the day dating back to 31 days ago.

Total monthly report and total quarterly report works in the same way, storing total report of the last x months or quarters (x=0~31).

Total manual report would take operation A51 as time point to divide the storage. The buffer zone delays a position automatically when a report is cleared (That means: Buffer 31 records the information which was stored in buffer 30. By analogy, buffer 1 record the information which was stored in buffer 0 and information stored in buffer 0 is cleared. Then start accumulating in buffer 0.).

When printing total report, system would request to input 2 numbers. And the scale would print total buffer which is added up with the buffers whose numbers are between the 2 input numbers.

Print Daily Reports of Today and Yesterday

Operations	Keys	Display				Remarks
		Tare	Weight/ Count	Change/ U.Price	Single/ Total	
『Sale Idle』		0.000	0.000	0.00	0.00	〔Sale〕 , 〔Sum〕 on.
Enter Account	【Account】	A1	Total			〔Account〕 on.
Enter total report	【1】	A11	Total	Daily		【1】 : Total report 【2】 : Dept. report 【3】 : Class report 【4】 : PLU report
Enter total daily report	【1】		Input	2 – 1	0	【1】 : Daily report 【2】 : Monthly report 【3】 : Quarterly report 【4】 : Manual report
Input start number	【0】 【Confirm】		Input	2 – 2	0	Start from today.
Input end number	【1】 【Confirm】	End at yesterday.
		A11	Total	Daily	0	Print daily report of today. (Note 4)
		A11	Total	Daily	1	Print daily report of yesterday. (Note 4)
		A11	Total	Daily		End of print.
Return to sale mode	【Sale】	0.000	0.000	0.00	0.00	〔Sale〕 , 〔Sum〕 on.

Note 1 If some buffers store no data, these buffers would be skipped off without printing.

Note 2 If end number input is 0, system would only print the buffer appointed by start number.

Note 3 If end number input is not 0 and less than start number, no buffer would be printed.

Note 4 The hints about currently print object may appear on the screen for just a few moment when system is printing.

REPORT PRINTING OPERATION, CONT.

Print PLU Report

The scale could print PLU reports whose number is less than 1000.

When printing PLU reports, system would orderly print those PLU reports whose serial numbers is between the 2 input numbers as well as the 2 input numbers.

Print PLU Daily Reports with the Numbers from 10 to 20

Operations	Keys	Display				Remarks
		Tare	Weight/ Count	Change/ U.Price	Single/ Total	
『Sale Idle』		0.000	0.000	0.00	0.00	[[Sale]], [[Sum]] on.
Enter Account	【Account】	A1	Total			[[Account]] on.
Enter PLU report.	【4】	A41	PLU	Daily		【1】 : Total report 【2】 : Dept. report 【3】 : Class report 【4】 : PLU report
Enter PLU daily report	【1】		Input	2 – 1	0	【1】 : Daily report 【2】 : Monthly report 【3】 : Quarterly report 【4】 : Manual report
Input start number	【1】【0】 【Confirm】		Input	2 – 2	0	Start from PLU10.
Input end number	【2】【0】 【Confirm】	End to PLU20.
				10	Print	Print daily report of PLU10.
				11	Print	Print daily report of PLU11.
				...	Print	
						End of print.
Return to sale mode	【Sale】	0.000	0.000	0.00	0.00	[[Sale]], [[Sum]] on.

Note 1 If some buffers store no data, these buffers would be skipped off without printing

Note 2 If end number input is 0, system would only print the buffer appointed by start number.

Note 3 If end number input is not 0 and less than start number, no buffer would be printed.

REPORT PRINTING OPERATION, CONT.

Clear Report Information Manually

The information in manual reports would not be cleared automatically unless users enter A51 (clear current manual report) interface to clear it. After this operation, manual reports of all departments, classes and PLU would be cleared, and total manual report would delay its serial number.

Clear Information in Manual Report

Operations	Keys	Display				Remarks
		Tare	Weight/ Count	Change/ U.Price	Single/ Total	
『 Sale Idle 』		0.000	0.000	0.00	0.00	[[Sale]], [[Sum] on.
Enter Account	【 Account 】	A1	Total			[[Account] on.
Enter clear report	【 5 】	A51	Clear	Manly		
Clear manual report	【 1 】	----	----	-----	-----	Wait a few seconds.
		A51	Clear	Manly		
Return to sale mode	【 Sale 】	0.000	0.000	0.00	0.00	[[Sale]], [[Sum] on.

Clear All Reports and Records Information

Clear All Reports and Records Information

Operations	Keys	Display				Remarks
		Tare	Weight/ Count	Change/ U.Price	Single/ Total	
『 Sale Idle 』		0.000	0.000	0.00	0.00	[[Sale]], [[Sum] on.
Enter Account	【 Account 】	A1	Total			[[Account] on.
Enter clear report	【 5 】	A51	Clear	Manly		
Clear manual report	【 2 】		Input	Code	0	Input validate code.
Input validate code	【 9 】 【 9 】 【 5 】 【 8 】					
Confirm validate code	【 Confirm 】	----	----	-----	-----	
		A52	Clear	All		
Return to sale mode	【 Sale 】	0.000	0.000	0.00	0.00	[[Sale]], [[Sum] on.

Note 1 This operation would clear the records of all deals. And it's irreversible. Please operate it carefully.

PRINT FORMAT

- **Paper Type:** Press **【Paper Type】** for 4 seconds to switch between gap paper and plain paper.
- **Format:** There are 9 kinds of default print formats.
- **Label Size:** 58mm x 40mm and 40mm x 30mm label, 58mm and 40mm width plain paper are available in default print formats. When using different type of paper, please adjust the corresponding Spec shown in the table below.

Paper type	Print type	Spec			Instructions
		000	005	027	
58mm x 40mm gap paper	Label print	1	4	50	Default
	Receipt print	7	7	50	Not recommend
40mm x 30mm gap paper	Label print	2	5	36	
	Receipt print	8	8	36	Not recommend
58mm width plain paper	Label print	1	4	50	
	Receipt print	7	7	50	
40mm width plain paper	Label print	2	5	36	
	Receipt print	8	8	36	

- Print formats include label print and receipt print. If user needs custom print format, please use PC software to change or contact with appointed after-service center.
- Don't print bills while selling: amend Spec003 and Spec008 to 0. If some specific deals need to print bills, please press **【Reprint】**.
- To print a few copies of one bill, put the amount into Spec003 and Spec008.
- To print two different kinds of bills: set the type of bill 1 in Spec000~Spec009, and bill 2 in Spec010~Spec019. Strongly suggest users contact with appointed after-service center.
- Set grey level of gap thermal paper in Spec022.
- Set grey level of plain thermal paper in Spec023.
- Set plain thermal paper in Spec 025, the position for cut-off paper suggest Spec025 not less than 30.
- You can set different kinds of print formats and barcode types for each PLU. You can check the details in PLU parameters for print formats and barcode types. Set the value of these parameters to 0 if you choose the system type.
- The procedures to confirm print format: take bill 1 as an example. If two or more goods are sold, print sum bill and use Spec005 as print format. If only one good is sold, print the item bill. If sale PLU has been set for a specific print format (not 0), system would use the print format. If no specific print format has been set to sale PLU (The setting number is 0.), the print format would be Spec000.

BARCODE PRINTING

- Can print various kinds of bar code, 9 kinds of default barcode settings.
- Can scan inner code and external code.
- Barcodes can be divided by use into item barcodes and total barcodes, which are printed in item labels and total labels respectively.
- Factory default barcodes support 5-digits total price and 6-digits total price. Please select the barcode compatible with the POS

Goods Code	Digits of Price	Spec				Suggestion
		001	006	002	007	
Flag Code Using PLU No.	5 Default	1	7	xx	xx00000	x...is the flag code which is reserved for scale in POS system. User could define 0 as a MISC code for PLU Number never equal to 0.
	6	4	8	xx	xx0000	
Flag Code Using PLU Item-Code	5	2	7	xx	xyyyyyy	x...is the flag code which is reserved for scale in POS system. y... is a MISC code for total label. PLU's Item-Code is code in POS system.
	6	5	8	xx	xyyyyy	
No Flag Code Using PLU Item-Code	5	3	7		yyyyyyy	No flag code defined. y... is a MISC code for total label. PLU's Item-Code is code in POS system.
	6	6	8		yyyyyy	

Note 1 If users need special bar code format, please use PC suite or contact their service center.

ERROR CODES

Number	Alarm instructions	Methods to handle
E0.01	Weight is not stable when the scale start-up.	Make sure there is no goods on the tray and the tray is stable.
E0.02	Exceed the allowed start-up zero range	Make sure there is no goods on the tray and the tray is on the bracket.
E1.01	Prog data is invalid.	Input valid data again.
E1.03	The selected print format do not exist	Set print format again
E1.10	Sale at 0 price is forbidden.	The sale whose sell price is 0 is forbidden. Refer to Spec070.
E1.11	Exceed the largest sale price.	Total price or grand total price of sold goods exceeds the largest sale price.
E1.12	Need to return to zero point	Return to weight zero before sale. Refer to Spec069.
E1.13	Exceed accumulative limit	The accumulative times are over buffer accumulate limit
E1.14	There is data in buffer and cannot print in single.	Print the data in buffers first. Then print this sale or switch to other buffers.
E1.18	System cannot execute accumulative operations while locking PLU.	Before accumulative operations, system needs to exit lock PLU (or auto mode) first.
E1.19	System cannot switch buffers into buffer with accumulation while locking PLU.	Operate in current buffer, or exit lock PLU (or auto mode).
E1.21	Less than smallest sale weight	Weight needs to be larger than smallest sale weight.
E1.22	Larger than largest sale weight	Weight needs to be smaller than largest sale weight.
E1.23	Discounted Unit Price has to be less than discount lower limit.	Discounted in allowed range, or amend the allowed range.
E1.24	Discounted Unit Price has to be higher than discount upper limit.	
E1.30	Cannot enter special sale mode	Selected PLU have conflict with special sale mode, select again
E1.39	Weight unit recognized	When creating PLUs in the DLX50 PC Utility, use Unit option '6-lb' for all weighable items.
E7.01	Some keys are pressed when the scale starts.	Please confirm that no keys are pressed. In this interface, the last window display pressed keys. 8-5 means the key in 8th column from the left and 5th row from the top is pressed. In this interface, the second window displays the calibrated times.

ERROR CODES, CONT.

Number	Alarm instructions	Methods to handle
E7.11	Gap paper is not taken away.	<p>Take away the printed label paper. If there is still alarm this problem, do as the way in chapter:</p> <p>Abnormity of Gap Paper Print to detect.</p>
E7.12	Print mouth is not closed tight.	Install the paper and close mouth.
E7.13	Printer is working.	Please wait for a few seconds and try again.
E7.14	Lack of plain paper	Reinstall plain paper or the paper type cannot match.
E7.15	Lack of gap paper	<p>Reinstall label paper or the paper type cannot match. If there is still alarm this problem, do as the way in chapter:</p> <p>Abnormity of Gap Paper Print to detect.</p>
E7.16	The scale cannot find the gap intervals.	<p>The paper type cannot match and change the type to plain paper or reinstall gap label paper. If there is still alarm this problem, do as the way in chapter:</p> <p>Abnormity of Gap Paper Print to detect.</p>
E7.17	The scale cannot find gap alignment positions.	Label paper is used up or paper type cannot match with set paper type. Please reinstall label paper.
E7.18	The printer is overheated and it needs to cool down.	Please wait for a few seconds and try again.
E7.19	There is no response from the printer.	The printer may not be connected or in the state that the printer could not print.
E7.30	Alarm for full storage of deals records.	Enter Account interface. Calculate reports and then clear the reports.

CARE AND MAINTENANCE

DO NOT submerge, pour or spray water directly on the scale base or weight display.

DO NOT expose the scale base or display to direct sunlight or temperature extremes.

DO NOT place the scale base or display in front of heating/cooling vents.

DO NOT use acetone, thinner or other volatile solvents for cleaning.

DO clean the scale base or display with a damp soft cloth and mild non-abrasive detergent.

DO remove power before cleaning with a damp cloth.

DO provide clean AC power and adequate protection against lightning damage.

DO keep the surroundings clear to provide clean and adequate air circulation.



203 E. Daugherty, Webb City, MO 64870 USA
Ph: 417-673-4631 or 1-800-641-2008
Fax: 417-673-2153

Technical Support: 1-866-254-8261
E-mail: tech@cardet.com