

DETECTO®



Model 750



WEIGHT INDICATOR

With Body Mass Index Features
Owner's Manual

TABLE OF CONTENTS

INTRODUCTION	Page 1
SPECIFICATIONS	Page 1
Standard Features	Page 1
Optional Features	Page 1
SITE PREPARATION REQUIREMENTS	Page 2
INSTALLATION	Page 3
Unpacking	Page 3
Mounting	Page 3
Interconnections	Page 4
Load Cell Connection	Page 4
Serial and Bluetooth/Wi-Fi Interface Specifications	Page 4
Serial I/O Port	Page 4
Optional AC Power Adapter	Page 5
Batteries	Page 5
Battery Status	Page 5
Battery Charging	Page 5
Battery Installation/Replacement	Page 6
WEIGHING UNITS SELECTION	Page 7
KEYPAD FUNCTIONS	Page 8
Basic Functions	Page 8
Body Mass Index Functions	Page 9
ANNUNCIATORS	Page 10
OPERATION	Page 11
Basic Weighing Operation	Page 11
Body Mass Index (BMI) Operation	Page 11
Weight Recall	Page 12
Serial ID Storage	Page 12
SETUP AND CALIBRATION	Page 13
SETUP REVIEW	Page 19
EVENT COUNTER	Page 19
WEIGHT ON DEMAND FORMAT	Page 20
SERIAL PRINT COMMANDS	Page 20
ERROR AND STATUS DISPLAYS	Page 21
BEFORE YOU CALL SERVICE	Page 22
CARE AND CLEANING	Page 22
PARTS IDENTIFICATION	Page 23
APPENDIX A – INDICATOR MOUNTING BRACKETS	Page 27

Serial Number _____ Date of Purchase _____ Purchased From _____ _____ _____ _____ _____ <small>RETAIN THIS INFORMATION FOR FUTURE USE</small>

PRECAUTIONS	
Before using this indicator, read this manual and pay special attention to all "NOTIFICATION" symbols:	
	
IMPORTANT	ELECTRICAL WARNING

FCC COMPLIANCE STATEMENT

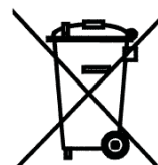
This equipment generates, uses and can radiate radio frequency, and if not installed and used in accordance with the instruction manual, may cause interference to radio communications. It has been designed within the limits for a Class A computing device pursuant to Subpart J of Part 15 of FCC rules to provide reasonable protection against such interference when operated in a commercial environment. Operation of this equipment in a residential area may cause interference in which case the user will be responsible to take whatever measures necessary to correct the interference.

You may find the booklet "How to Identify and Resolve Radio TV Interference Problems" prepared by the Federal Communications Commission helpful. It is available from the U.S. Government Printing Office, Washington, D.C. 20402. Request stock No. 001-000-00315-4.

PROPER DISPOSAL

When this device reaches the end of its useful life, it must be properly disposed of. It must not be disposed of as unsorted municipal waste. Within the European Union, this device should be returned to the distributor from where it was purchased for proper disposal. This is in accordance with EU Directive 2002/96/EC. Within North America, the device should be disposed of in accordance with the local laws regarding the disposal of waste electrical and electronic equipment.

It is everyone's responsibility to help maintain the environment and to reduce the effects of hazardous substances contained in electrical and electronic equipment on human health. Please do your part by making certain that this device is properly disposed of. The symbol shown to the right indicates that this device must not be disposed of in unsorted municipal waste programs.



COPYRIGHT

All rights reserved. Reproduction or use, without expressed written permission, of editorial or pictorial content, in any manner, is prohibited. No patent liability is assumed with respect to the use of the information contained herein.

DISCLAIMER

While every precaution has been taken in the preparation of this manual, the Seller assumes no responsibility for errors or omissions. Neither is any liability assumed for damages resulting from use of the information contained herein. All instructions and diagrams have been checked for accuracy and ease of application; however, success and safety in working with tools depend to a great extent upon the individual accuracy, skill and caution. For this reason, the Seller is not able to guarantee the result of any procedure contained herein. Nor can they assume responsibility for any damage to property or injury to persons occasioned from the procedures. Persons engaging the procedures do so entirely at their own risk.

CAUTION



CAUTION: RISK OF EXPLOSION IF BATTERY IS REPLACED BY AN INCORRECT TYPE. DISPOSE OF USED BATTERIES ACCORDING TO THE INSTRUCTIONS.

ATTENTION: RISQUE D'EXPLOSION SI LA BATTERIES EST REMPLAC'E PAR UN TYPE INCORRECT. REJETEZ LES BATTERIES UTILISE'ES SELON LES INSTRUCTIONS.

INTRODUCTION

Thank you for purchasing our 750 Weight Indicator. It has been manufactured with quality and reliability and has been tested before leaving our factory to ensure accuracy and dependability for years to come.

This manual is provided to guide you through installation, operation and maintenance of your indicator. Please read it thoroughly before attempting to install or operate your indicator and keep it available for future reference.

SPECIFICATIONS

Power Requirements	Six "AA" Alkaline, Ni-Cad or NiMH batteries (<i>not included</i>) OR an optional 100 to 240 VAC 50/60Hz 12 VDC 1A wall plug-in UL/CSA listed AC power adapter (Cardinal part number 6800-1045). Models are available with the AC adapter included.
Operating Temperature	14 to 104 °F (-10 to +40 °C)
Display	Six-digit, seven segments, 0.7-inch-high LCD
Sensitivity	0 to 2.4 mV/V
Signal Input Range	0 to 12mV max.
Transducer Excitation	5.0 VDC
Resolution	2,500 divisions
Capacities	up to 10,000 divisions noncommercial
Division Value	1, 2, or 5
Sample Rate	1 to 16 samples per second
Auto Zero Range	0.5 or 1 through 9 divisions
Weighing Units	Pounds or Kilograms
Keyboard	Membrane type with 5 keys and 4 directional arrows
Enclosure Size	6.125" W x 6.75" H x 1.75" D (16 cm x 17 cm x 4 cm)
Construction	Painted Steel

Standard Features:

- Units Locking
- Auto Shut-Off Feature
- Selectable Sleep-Mode
- Selectable Filtering
- Serial I/O (Input/Output)
- Wi-Fi and Bluetooth, available in Model 750C

Optional Features:

- Optional 12VDC AC Power Adapter

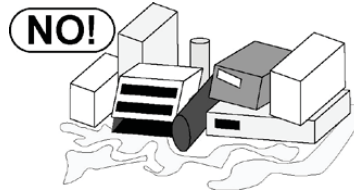
SITE PREPARATION REQUIREMENTS

The 750 Weight Indicator is a precision weight indicating instrument. As with any precision instrument, it requires an acceptable environment to operate at peak performance and reliability. This section is provided to assist you in obtaining such an environment.

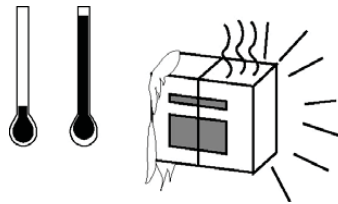
Environmental

The 750 Weight Indicator meets or exceeds all certification requirements within a temperature range of 14 to 104 °F (-10 to +40 °C).

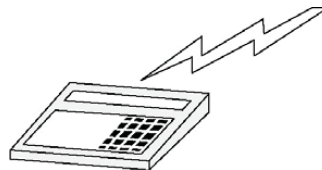
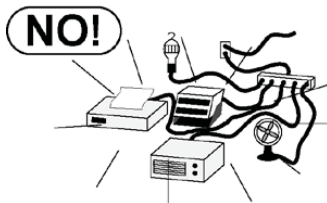
In order to keep cooling requirements to a minimum, the indicator should be placed out of direct sunlight and to provide adequate air circulation, keep the area around the indicator clear.



Do not place the indicator directly in front of a heating or cooling vent. Such a location will subject the indicator to sudden temperature changes, which may result in unstable weight readings.



Make sure that the indicator has good, clean AC power and is properly grounded. In areas subject to lightning strikes, additional protection to minimize lightning damage, such as surge suppressors, should be installed.



Electrical Power

The 750 Weight Indicator has been designed to operate from a 100 to 240 VAC 50/60Hz 12 VDC 1A wall plug-in UL/CSA listed AC power adapter (Cardinal part number 6800-1045). Note that a special order is not required for operation at 230 VAC.

- The socket-outlet supplying power to the indicator should be on a separate circuit from the distribution panel and dedicated to the exclusive use of the indicator.
- The socket-outlet shall be installed near the equipment and shall be easily accessible.
- The wiring should conform to national and local electrical codes and ordinances and should be approved by the local inspector to assure compliance.
- On installations requiring 230 VAC power, **it is the responsibility of the customer** to have a qualified electrician install the proper power adapter plug that conforms to national electrical codes and local codes and ordinances.

INSTALLATION

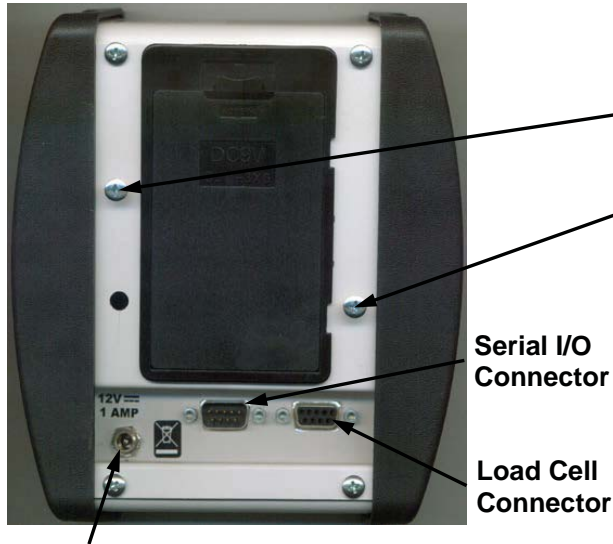
Unpacking

Carefully remove the indicator from the shipping carton and inspect it for any damage that may have taken place during shipment. Keep the carton and packing material for return shipment if it should become necessary. The purchaser is responsible for filing all claims for any damages or loss incurred during transit.

Should your indicator come already installed on a scale, the following installation instructions does not apply to you.

Mounting

To install the indicator on the bracket, place the screw heads on the back of the indicator into the large end of the slotted holes in the bracket. Pull down to secure the indicator. The spring plunger will lock the indicator to the bracket. See Figures No. 1, 2 and 3.



AC Power Adapter

Figure No. 1

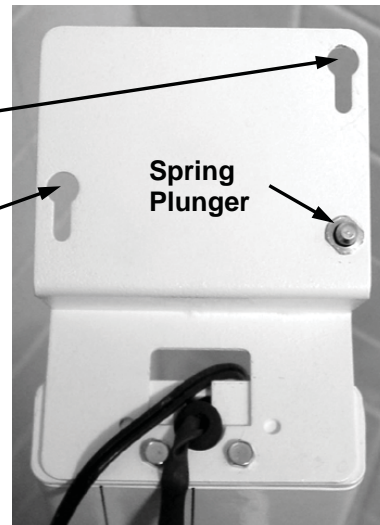


Figure No. 2



Figure No. 3

NOTE: The mounting bracket on your scale may be different than the one shown in Figures No. 2 and 3. Refer to Appendix A for other bracket types.

INSTALLATION, CONT.

Interconnections

All input, output and power connections are made at the bottom rear panel of the indicator. Refer to Figure No. 1 for the rear panel layout.

Load Cell Connection

The load cell cable connects to the indicator via a 9-pin "D" connector on the rear panel of the indicator. Figure No. 4 shows the pin identification for the load cell connector. Make certain that the pins are correctly identified before soldering a wire to them. Use the connector retaining screws to hold the load cell cable connector securely to the rear panel.

PIN NO.	FUNCTION
1	+ EXCITATION
2	- SIGNAL
5	SHIELD
6	- EXCITATION
7	+ SIGNAL

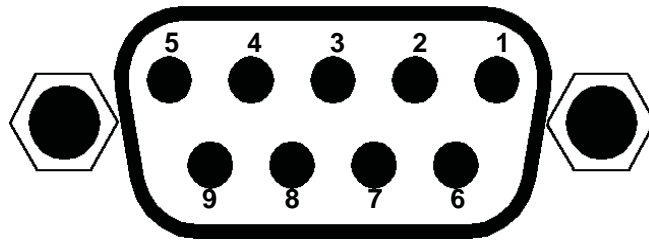


Figure No. 4

NOTE: Pins 3, 4, 8, and 9 are not used.

Serial Interface and Bluetooth/Wi-Fi Specifications

The Serial interface and Bluetooth/Wi-Fi on the 750C Weight Indicator can be configured during the setup and calibration procedure or during the setup review operation. Using either method, it is possible to select the operation of the serial interface and Bluetooth/Wi-Fi.

The interfaces may be connected to a computer for transmission of weight and associated data to a PC-based EMR (electronic medical record) software program. The data can be transmitted on demand by pressing the **PRINT** key or on receipt of a command from the computer.

Serial I/O Port

The 750 RS-232 serial I/O port is a 9-pin "D" connector on the rear panel of the indicator. Figure No. 5 shows the Serial I/O connector along with the identity of the pins used. Make certain that the pins are correctly identified before soldering a wire to them. Use the connector retaining screws to hold the serial cable connector securely to the rear panel.

PIN NO.	FUNCTION
2	DATA INPUT (RXD)
3	DATA OUTPUT (TXD)
5	SIGNAL GROUND (GND)
9	VCC or 5VDC

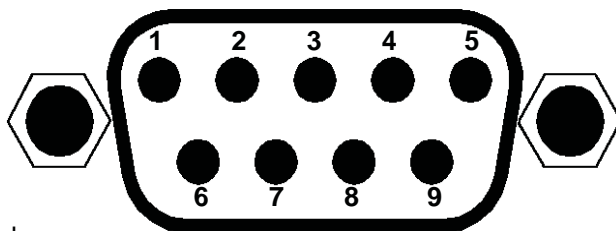


Figure No. 5

NOTE: Pins 1, 4, 6, 7, and 8 are not used.



NOTE: The Model 750C with Bluetooth and Wi-Fi does not have a RS-232 serial I/O port.

The 750 RS-232 serial interface can be configured during the setup and calibration procedure or during the setup review operation. Using either method, it is possible to select the operation of the serial interface as well as select the baud rate.

- The baud rates supported are: 4800, 9600, 19.2K and 38.4K baud.
- The data format is fixed at 8 bits, No parity, and 1 stop bit.

NOTE: The 750 indicator is shipped from the factory with the baud rate set to 9600 baud.

INSTALLATION, CONT.

Optional AC Power Adapter

To power the 750 using the optional 12 VDC wall plug-in AC power adapter, connect the plug from the adapter into the power jack on the back of the indicator, and then plug the power adapter into the proper electrical outlet. Refer to Figure No. 1. On models requiring 230 VAC, it is the customer's responsibility to obtain the correct power adapter plug.

Batteries

The 750 can use 6 "AA" size Alkaline, Ni-Cad or NiMH batteries (*not included*). You must first obtain and install the batteries before operations can begin. Batteries are contained in a battery holder inside the indicator. Access is via a removable panel on the back of the indicator. See Figure No. 6.



CAUTION! The 750 can be operated from Alkaline, Ni-Cad or NiMH batteries. All six (6) batteries must be of the same type. They must all be Alkaline, all Ni-Cad or all NiMH. **DO NOT** mix Alkaline and Ni-Cad or NiMH batteries.



WARNING! The AC power adapter is also used to recharge the batteries, when the 750 is operated from Ni-Cad or NiMH batteries. **DO NOT** connect the AC power adapter to the 750 if using Alkaline batteries. Also, when using Alkaline batteries, make sure the *ReCh* setup option is disabled (set to 0). Refer to Setup and Calibration or Setup Review.

Battery Status

The 750 will operate for up to 250 hours on new Alkaline batteries or for up to 100 hours on fully charged Ni-Cad or NiMH batteries depending on the condition of the batteries (from new to about 500 recharges). The battery bar graph on the display indicates the battery capacity in 4 steps:



- 4 segments - the full battery capacity is available,
- 3 segments - the battery is at 75% of capacity,
- 2 segments - the battery is at 50% of capacity,
- 1 segment: - the battery is at 25% capacity.

When the battery voltage drops too low for accurate weighing, the indicator will show *LoBat* and then shut off. You will be unable to turn the indicator back on until the Alkaline batteries have been replaced or if using Ni-Cad or NiMH batteries, the AC power adapter is connected to the indicator to power it and recharge the batteries.

Battery Charging

To recharge the Ni-Cad or NiMH batteries, the AC power adapter must be connected to a power outlet and plugged into the indicator. It will take approximately 8 to 10 hours to fully recharge the batteries. Charging the batteries for more than 10 hours *will not* damage them.

NOTE: The indicator may be operated while the batteries are charging.

INSTALLATION, CONT.

Battery Installation/Replacement

To install or remove the batteries, the following steps should be followed:

1. Make sure the AC power adapter is unplugged.
2. Remove the indicator from the scale mounting bracket. (Referring to Figure No. 3, pull the spring plunger down and slide the indicator away from the mounting bracket).
3. Turn the indicator over so that the display is facing away from you.
4. Locate the rectangular panel on the back of the indicator.
5. To install or replace the batteries, remove the battery holder cover by pushing in on the tab and lifting it up. Refer to Figure No. 6.
6. If installing new batteries, referring to Figure No.7 and the polarity markings located in the battery holder, install 6 new "AA" size batteries in the battery holder.
7. If replacing the batteries, remove all 6 batteries from the battery holder, and then referring to Figure No.7 and the polarity markings located in the battery holder, install 6 new "AA" size batteries in the battery holder.
8. After placing all 6 batteries in the holder, replace the battery cover.
9. Turn the indicator over (display facing up) and press the **ON/OFF** key.
10. If the display turns on, the batteries have been installed correctly. If not, remove the battery cover, and check for one or more improperly positioned batteries.
11. Return the indicator to the scale mounting bracket.
12. The indicator is now ready for operation.



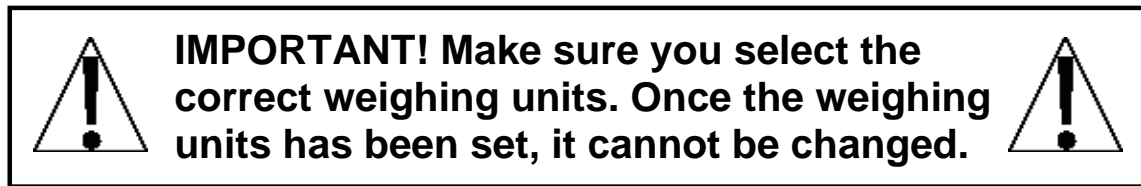
Figure No. 6



Figure No. 7

WEIGHING UNITS SELECTION

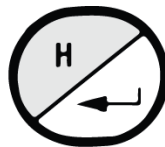
When the 750 Weight Indicator is turned on for the *first* time, it will display a prompt to select the weighing units to use for your operation, lb (pounds) or kg (kilograms). The weighing units selection can **ONLY** be made at this time and cannot be changed afterward. Make sure you select the correct weighing units before proceeding.



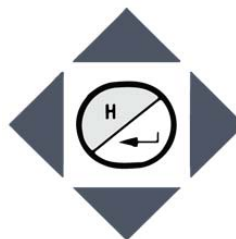
Key Legend



ON/OFF Key



ENTER Key



ARROW Keys

1. Press the **ON/OFF** key to turn the 750 Weight Indicator on.
2. The display will show the model number, then the software version for a few seconds, and will finally change to show *Unit*.
3. Press the **ENTER** key to view the current (factory) setting.
4. The display will change to show a flashing *l* with the lb (pounds) annunciator turned on next to it.
5. If weighing in lb (pounds) is required for your operation, press the **ENTER** key to save it, and then proceed to step 12.
6. If your operation requires weighing in kg (kilograms), press the **▲** (UP arrow) key to select kilograms.
7. The display will change to show a flashing *k* with the kg (kilograms) annunciator turned on next to it.
8. Press the **ENTER** key to save the kg (kilograms) weighing units setting, and then proceed to step 12.
9. If your operation requires weighing in lb-oz (pounds and ounces), press the **▲** (UP arrow) key again to select pounds and ounces.
10. The display will change to show a flashing *5* with the lb-oz (pounds and ounces) annunciator turned on next to it.
11. Press the **ENTER** key to save the lb-oz (pounds and ounces) weighing units setting, and then proceed to step 12.
12. The 750 Weight Indicator is now ready for operation.

KEYPAD FUNCTIONS

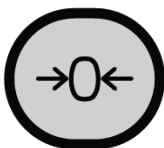


DO NOT operate the keypad with pointed objects (pencils, pens, etc).
Damage to keypad resulting from this practice is **NOT** covered under warranty.

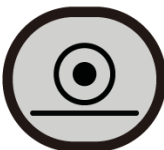


This is the **ON/OFF** key. With the indicator off, pressing this key will turn it on. If the indicator is already on, pressing the key will turn the indicator off.

Basic Functions



This is the **ZERO** key. It is used to reset the display to zero up to the selected limit of either 4% or 100% of the scale capacity. The zero limit is set during setup and calibration of the indicator.



This is the **PRINT** key. It is used to signal completion of the data entry, process the data entered, and to send the weight and associated data to the RS232 serial port and the optional Wi-Fi and Bluetooth (BLE).



NOTE: The 750 will not respond to pressing the **PRINT** key unless the weight display is stable. If displaying gross weight, only the gross weight is printed. If displaying net weight, the gross, tare, and net weights are printed. If the BMI feature is used, its data is printed along with the weight data.

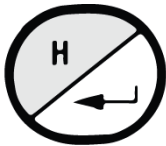
KEYPAD FUNCTIONS, CONT.



This is the **LOCK/RELEASE** key. It is used to lock and release (unlock) the display. If the HOLD feature was enabled during setup and calibration, pressing this key (after obtaining a stable weight) will cause the indicator to lock onto the weight. Pressing this key again will release (unlock) the display and return it to zero.

If AUTO LOCK feature was enabled, weight display will lock after placing a load on the scale and obtaining a stable weight. Pressing this key will release (unlock) the display and return it to zero, or if another load is applied, lock onto new weight after obtaining a stable weight. Note that the lock feature is for non-commercial (NOT "Legal for Trade") applications.

Body Mass Index (BMI) Functions



This is the **HEIGHT/ENTER** key. It is used for several functions. First, during setup and calibration, it is used as the **ENTER** key. Pressing it will display the current setting of the parameter. Second, again as the **ENTER** key, it is used to signal completion of the data entry and causes the indicator to process the data entered. Third, during normal operation, it is used as the **HEIGHT** key to input the height (feet and inches or centimeters) for the Body Mass Index (BMI) calculation.

NOTE: Unless the weight display is stable, the indicator will not respond to pressing the **HEIGHT/ENTER** key.

Arrow Keys



The arrow keys are used during setup and calibration to select setup values, and for several purposes during operation.

In setup and calibration, they are used to increase or decrease the displayed setup values.

When used with the BMI function, they are used to increase or decrease the BMI height values.

Pressing the Up (▲) or Down (▼) Arrow keys will increase or decrease the value of the selected digit. Pressing the Left (◀) or Right (▶) Arrow key will move the cursor (blinking character) to the next character position.

During normal operation, pressing the Up (▲) or Down (▼) Arrow keys will enter a weight recall option that allows the last 10 weights recorded to be reviewed. *Note that the weight is recorded each time the weight is locked.*

ANNUNCIATORS

The annunciators are turned on to indicate that the display is in the mode corresponding to the annunciator label or that the status indicated by the label is active.

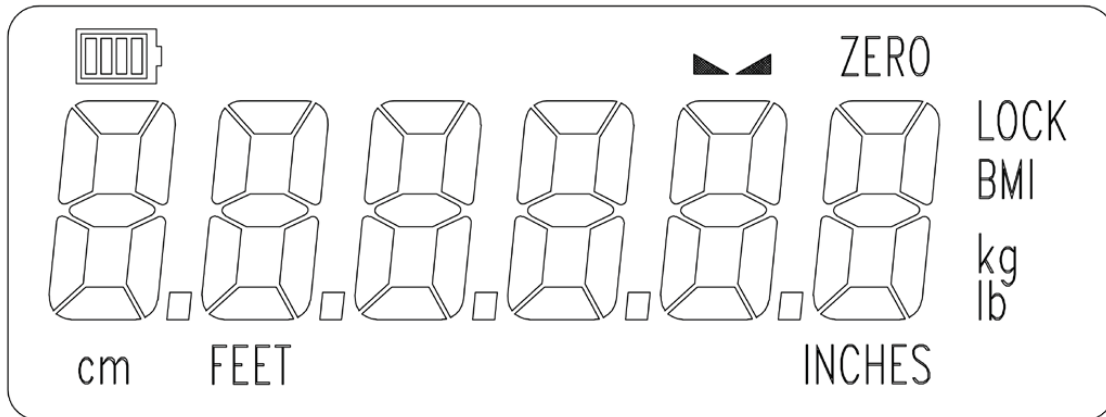


Figure No. 9



The low battery annunciator is located in the upper left corner of the display. It is used to indicate the battery status. Refer to Power Connection section of this manual for more details.

▲▲ (STABLE)

This annunciator is turned on when the weight display is stable. When off, it means that the change in successive weight samples is greater than the motion limits selected during setup.

ZERO

This annunciator is turned on to indicate that the weight displayed is within +/- 1/4 division of the center of zero.

LOCK

This annunciator is turned on to show that the indicator is locked onto the displayed weight. In operation, after obtaining a stable weight, pressing the **LOCK/RELEASE** key will cause the indicator to lock onto the weight and turn on the annunciator. Pressing the key again (or dropping below the Auto Lock reset value) will unlock the display and turn off the annunciator. **NOTE:** The lock feature must be enabled during setup.

BMI (Body Mass Index)

This annunciator is turned on when displaying the calculated body fat.

kg

This annunciator is turned on to indicate that the displayed weight is in kilograms.

lb

This annunciator is turned on to indicate that the displayed weight is in pounds.

cm

This annunciator is turned on when the displayed height measurement is in centimeters.


FEET / INCHES

These annunciators are turned on when the displayed height measurement is in feet and inches.

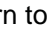
OPERATION

Basic Weighing Operation



To Weigh

1. Press the **ON/OFF** key to turn on the indicator.
2. If required, press the **ZERO** key to zero weight display.
3. Assist patient onto the scale.
4. When weight is stable (STABLE ) annunciator will turn on), read the weight display.
5. If a printer is connected to scale, press the **PRINT** key to print a ticket.
6. Assist patient off the scale.

Zero Weight Display


1. In Gross Weight mode (GROSS annunciator on), press the **ZERO** key.
2. Weight display will return to zero. ZERO and STABLE ) annunciators will turn on to show a stable, center-of-zero ($\rightarrow 0 \leftarrow$) gross weight condition.

Zero Weight Display with Item on Scale

1. Place the item (wheelchair, walker, etc.) on the scale.
2. The display will show the weight of the item on the scale.
3. Press the **ZERO** key.
4. The weight display will return to zero. ZERO, STABLE ) and lb or kg annunciators will turn on. The weight of the item has been "zeroed off".
5. Assist patient onto the scale.
6. When weight is stable (STABLE ) annunciator will turn on), read the weight display.
7. If a printer is connected to the scale, press the **PRINT** key to print a ticket.
8. Assist patient off the scale.

Body Mass Index (BMI) Operation

To Weigh and Calculate BMI

1. Press the **ON/OFF** key to turn on the indicator.
2. If required, press the **ZERO** key to zero weight display.
3. Assist patient onto the scale.
4. When weight is stable (STABLE ) annunciator will turn on), read the weight display.
5. Press the **HEIGHT** key.
6. If pounds was selected for the weighing units, the display will change to show $\bar{5}$ FEET, $\bar{5}$ INCHES with the 6 blinking. (*The blinking character is the position to be changed*).
 - a. Press the \blacktriangle or \blacktriangledown keys until the desired height in inches is displayed.
 - b. Press the \blacktriangleleft or \blacktriangleright key to move the blinking character to FEET.
 - c. Press the \blacktriangle or \blacktriangledown keys until the desired height in feet is displayed.
 - d. Proceed to Step 8.

OPERATION, CONT.

Body Mass Index (BMI) Operation, Cont.

To Weigh and Calculate BMI, Cont.

7. If kilograms was selected for the weighing units, the display will change to show *170* cm. with the 0 of 170 blinking. (*The blinking character is the position to be changed*).
 - a. Press the ▲ or ▼ keys until the desired number is displayed.
 - b. Press the ◀ or ▶ key to move to the next character to change.
 - c. Repeat steps A and B until the desired height in centimeters is displayed.
 - d. Proceed to Step 8.
8. Press the **HEIGHT** key.
9. Read the BMI on the display.
10. If a printer is connected to the scale, press the **PRINT** key to print a ticket.
11. Assist patient off the scale.
12. Press the **HEIGHT** key to return to the normal weighing operation.

NOTE: The **HEIGHT** key can be used to toggle between the calculated BMI value and the weight until the scale goes below 10% of capacity (40 lbs). At that point, a new height input is required.

Weight Recall

During normal operation, pressing the ▲ or ▼ keys will enter a weight recall option that allows the last 10 weights recorded to be reviewed. *Note that the weight is recorded each time the weight is locked.*

- Use the ▲ or ▼ keys to scroll through the 10 records.
- The **ZERO** key can be used to clear the recorded values.
- Press any other key to return the indicator to normal operation.

NOTE: While reviewing the recorded weights, the display will alternate between the transaction number and the weight. In addition, the 10 recorded weights can only be viewed and cannot be printed.

Serial ID Storage

The 750 has been equipped with Serial ID storage for 200 records. Each ID stores the ID index, Weight, Height, BMI and Unit of measure. When the **ENTER** key is pressed, the indicator will assign the current values to a new ID and store the ID in memory. Next, the indicator will print the ticket in the mode selected during setup and calibration.

Once the first print is finished, the indicator will allow more tickets to be printed, however it will not store the values again until the weight goes below 1/10 of the scale capacity. This prevents ID overlap until the next person steps on the scale.

NOTE: Serial ID storage can only be printed, not viewed through the display.

SETUP AND CALIBRATION

Your 750 Weight Indicator has been thoroughly tested and calibrated before being shipped to you. If you received the indicator with a scale, calibration is not necessary. If the indicator is being connected to a scale for the first time or recalibration is necessary for other reasons, the following describes the steps to perform setup and calibration on the indicator.

Calibration of the indicator is accomplished entirely by the keypad. To enter setup and calibration, the calibration switch must be pushed in and held while turning on the indicator.

Begin Setup and Calibration:

1. With the power off, remove the two (2) screws from the left end cap (as viewed from front of the indicator) and remove the end cap.
2. Locate the calibration switch on the circuit board and push it in. See Figure No. 10.
3. With the switch held in, press the **ON/OFF** key.
4. When the display shows *SETUP*, release the calibration switch. The indicator is now ready for setup and calibration.

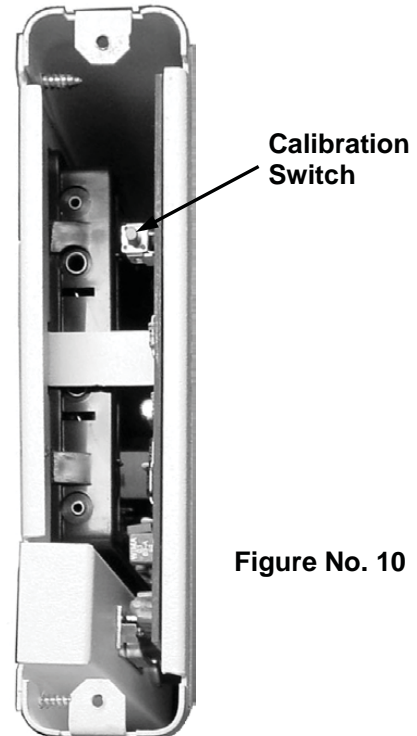


Figure No. 10

During setup and calibration, it is necessary to enter values using the indicator's keypad. When a prompt is displayed on the indicator, press the **ENTER** key to view the current setting. If the value displayed is acceptable, press the **ENTER** key to save it, and proceed to the next prompt. To change a setting, press the Up (\blacktriangle) or Down (\blacktriangledown) Arrow keys to scroll through and select a new value. After a new value has been selected, press the **ENTER** key to save it and proceed to the next prompt.

NOTE: Some setup prompts have values with 2 or more digits. The blinking character (digit) is the position to be changed, and can be advanced to the next position by pressing the Left (\blacktriangleleft) or Right (\blacktriangleright) Arrow key.



**DO NOT operate the keypad with pointed objects (pencils, pens, etc).
Damage to keypad resulting from this practice is NOT covered under warranty.**

USA: (DOMESTIC or INTERNATIONAL)

This is the prompt to select whether the indicator is used in the USA (domestic) or outside the USA (international).

Press the **ENTER** key to view the current setting. If the value displayed is acceptable, press the **ENTER** key. Otherwise, press the \blacktriangle or \blacktriangledown keys to select a new value, and then press the **ENTER** key to save it.

Allowable values are: 0 or 1.

USA: 1 (Domestic)

No Zero Limit

CRP +4% to OC

USA: 0 (International)

+/- 4% Zero Limit

CRP +9 grads to OC

SETUP AND CALIBRATION, CONT.

int : (INTERVAL SETTING)

Press the **ENTER** key to view the current setting. If the value displayed is acceptable, press the **ENTER** key. Otherwise, press the **▲** or **▼** keys to select a new value, and then press the **ENTER** key to save it.

Allowable values are: 1, 2, or 5.

UnS : (MOTION (UNSTABLE) RANGE)

The Motion (Unstable) Range is the number of divisions of change permitted before the STABLE annunciator turns off.

Press the **ENTER** key to view the current setting. If the value displayed is acceptable, press the **ENTER** key. Otherwise, press the **▲** or **▼** keys and the **◀** or **▶** keys to select a new value and then press the **ENTER** key to save it.

Allowable values are 0 through 99.

dPP : (DECIMAL POINT POSITION)

Press the **ENTER** key to view the current setting. If the value displayed is acceptable, press the **ENTER** key. Otherwise, press the **▲** or **▼** keys to select a new value, and then press the **ENTER** key to save it.

Allowable values are: 0, 1, 2, or 3.

0 = XXXXXX 1 = XXXXX.X 2 = XXXX.XX 3 = XXX.XXX

[AP : (SCALE CAPACITY)

Press the **ENTER** key to view the current setting. If the value displayed is acceptable, press the **ENTER** key. Otherwise, press the **▲** or **▼** keys and the **◀** or **▶** keys to select a new value, and then press the **ENTER** key to save it.

Allowable values are: 1 through 99,999.

FLt : (DIGITAL FILTER LEVEL SELECTION)

Your indicator will arrive with factory filter settings of 1 = Minimal. *Please check with Tech Support before changing filter level, break range and sample rate.*

Press the **ENTER** key to view the current setting. If the value displayed is acceptable, press the **ENTER** key. Otherwise, press the **▲** or **▼** keys to select a new value, and then press the **ENTER** key to save it and proceed to the next prompt.

Allowable values are: 0, 1, 2, or 3.

0 = Minimal Filter 1 = Moderate Filter 2 = Heavy Filter 3 = Custom Filter

NOTE: If 3 = Custom Filter is selected, two additional prompts will be displayed.

F : (FILTER LEVEL)

Press the **ENTER** key to view the current setting. If the value displayed is acceptable, press the **ENTER** key. Otherwise, press the **▲** or **▼** keys and the **◀** or **▶** keys to select a new value, and then press the **ENTER** key to save it.

Allowable values are 1 (least amount of filtering) to 99 (greatest amount of filtering).

br : (BREAK RANGE)

Press the **ENTER** key to view the current setting. If the value displayed is acceptable, press the **ENTER** key. Otherwise, press the **▲** or **▼** keys and the **◀** or **▶** keys to select a new value, and then press the **ENTER** key to save it.

Allowable values are 1 to 99, which correspond to the number of division changes to break out of filtering.

SETUP AND CALIBRATION, CONT.

Sr = (SAMPLE RATE)

Press the **ENTER** key to view the current setting. If the value displayed is acceptable, press the **ENTER** key. Otherwise, press the **▲** or **▼** keys and the **◀** or **▶** keys to select a new value, and then press the **ENTER** key to save it.

Allowable values are 1 (*the minimum number of samples*) to 16 (*the maximum number of samples*) in one sample per second intervals.

CR = (CALIBRATION)

With the display showing **CR =**, press the **ENTER** key. The display will change to show the current setting **0** (0=NO). If the scale has been previously calibrated and you wish to skip calibration and proceed to the **HOLD =** (Hold Mode) prompt, press the **ENTER** key and the previous calibration will be retained.

To begin calibration, press the **▲** key to select 1 (yes), and then press the **ENTER** key. After pressing the **ENTER** key, the display will change to **Load =**.

Load = (LOAD CALIBRATION WEIGHT)

With the display showing **Load =** perform the following steps:

1. Make certain the scale platform is empty and free of debris.
2. Place the desired amount of calibrated test weights on the scale platform. A minimum of 50% of scale's capacity is required. However, 70% to 100% is recommended.
3. Press the **ENTER** key.
4. If the value displayed is acceptable, press the **ENTER** key. Otherwise, determine the exact amount of test weight placed on the scale platform, and then use the **▲** or **▼** keys and the **◀** or **▶** keys to select the test weight amount.
5. Verify that the numbers selected are the same as the amount of the test weight, and then press the **ENTER** key.
6. Starting at the left and preceding right, a series of dashes will appear on the display. The dashes will stay on the display momentarily, then disappear, after which the display will proceed to the next prompt.

UnLoad = (UNLOAD CALIBRATION WEIGHT)

After a moment, the display will change to **UnLoad =**.

1. Remove the test weights from the scale platform, and then press the **ENTER** key.
2. Starting at the left and preceding right, a series of dashes will appear on the display. The dashes will stay on the display momentarily, then disappear, after which the calibration factor will be saved and the display will proceed to the next prompt.



IMPORTANT: During the time the dashes are appearing on the display, make sure that the loaded (or empty) scale is stable.

SETUP AND CALIBRATION, CONT.

SEtGC (SET GRAVITY CONSTANT)

This indicator is equipped with an acceleration of gravity function which means that it can be calibrated in one location and then adjusted to match the acceleration of gravity at the location where it will be used.

With the display showing SEtGC, press the **ENTER** key to view the current setting. If the value displayed is acceptable, press the **ENTER** key. Otherwise, press the **▲** or **▼** keys to select a new value, and then press the **ENTER** key to save it.

Allowable values are: 0 or 1.

SEtGC = 0

Gravity Constant is NOT used

SEtGC = 1

Set Gravity Constant

NOTE: If you select 1 (Set Gravity Constant) the following additional prompts will be displayed:

CArGC (CALIBRATED GRAVITY CONSTANT)

This is the acceleration of gravity value of the location where the scale was calibrated.

With the display showing CArGC, press the **ENTER** key to show the current setting. If the value displayed is acceptable, press the **ENTER** key. Otherwise, press the **▲** or **▼** keys and the **◀** or **▶** keys to select a new value, and then press the **ENTER** key to save it.

Consult the factory Tech Support for the Acceleration of Gravity value for your location.

OPGC (OPERATING GRAVITY CONSTANT)

This is the acceleration of gravity value for the location where the scale will be operated.

With the display showing OPGC, press the **ENTER** key to show the current setting. If the value displayed is acceptable, press the **ENTER** key. Otherwise, press the **▲** or **▼** keys and the **◀** or **▶** keys to select a new value, and then press the **ENTER** key to save it.

Consult the factory Tech Support for the Acceleration of Gravity value for your location.



NOTE: Once the Gravity Constant has been set, both CArGC and OPGC must be set to the same value to disable it.

SETUP AND CALIBRATION, CONT.

HoLd: (HOLD MODE)

Press the **ENTER** key to view the current setting. If the value displayed is acceptable, press the **ENTER** key. Otherwise, press the **▲** or **▼** keys to select a new value, and then press the **ENTER** key to save it.

Allowable values are: 0, 1, or 2.

0 = NO (disable) 1 = YES (enable) 2 = AUTO (Automatic Hold)

- If *HoLd* = 0 or 1 (NO or YES) is selected, proceed to *tRz* (Zero Tracking Range).
- If *HoLd* = 2 (AUTO) is selected, an additional prompt *bRnd* (Auto Lock Reset Band) will be displayed. Proceed to *bRnd* to continue setup.

With the Hold feature enabled (*HoLd* = 1), the indicator will lock the displayed weight on the display when the **LOCK/RELEASE** key is pressed. Pressing the **LOCK/RELEASE** key again will unlock display. If automatic hold (*HoLd* = 2) is selected, the indicator will automatically lock the weight on the display, after obtaining a stable weight value that exceeds the Auto Lock Reset Band value. Refer to Auto Lock Reset Band setup below.



NOTE: The HOLD mode of operation is only used in non-commercial applications and must be DISABLED (set to 0 = NO) for "Legal for Trade" applications.

bRnd: (AUTO LOCK RESET BAND)

This is the number of division changes needed to reset the auto lock. For the Auto Lock to function, the load on the scale must rise above the *bRnd* value (and remain stable). To release Auto Lock, the load on the scale must fall below the *bRnd* value. At that point, the next weighing operation can begin.

With the display showing *bRnd*, press the **ENTER** key to view the current setting. If the value displayed is acceptable, press the **ENTER** key. Otherwise, press the **▲** or **▼** keys and the **◀** or **▶** keys to select a new value, and then press the **ENTER** key to save it.

Allowable values are: 0 through 99.

tRz: (ZERO TRACKING RANGE)

Zero tracking range is a value in scale divisions that will be automatically zeroed off.

Press the **ENTER** key to view the current setting. If the value displayed is acceptable, press the **ENTER** key. Otherwise, press the **▲** or **▼** keys and the **◀** or **▶** keys to select a new value, and then press the **ENTER** key to save it.

Allowable values are 1 through 18 (1 to 9 divisions by 0.5 divisions).

NOTE: Select 0 (zero) to disable the Zero Tracking Range.

PU0: (Power Up Zero)

Press the **ENTER** key to view the current setting. If the value displayed is acceptable, press the **ENTER** key. Otherwise, press the **▲** or **▼** keys to select a new value, and then press the **ENTER** key to save it.

Allowable values are: 0 or 1.

PU0 = 1 (YES)

Weight display will be reset to zero automatically on power up

PU0 = 0 (NO)

Weight display will not be reset to zero on power up

SETUP AND CALIBRATION, CONT.

bAUD: (SERIAL OUTPUT BAUD RATE)

Press the **ENTER** key to view the current setting. If value displayed is acceptable, press the **ENTER** key. Otherwise, press the **▲** or **▼** keys to select a new value, and then press the **ENTER** key to save it.

Allowable values are: 1, 2, 3, or 4.

1 = 4800 Baud 2 = 9600 Baud 3 = 19.2k Baud 4 = 38.4k Baud

nICAD (Battery Type Selection)

This setting determines whether Alkaline, NiCad or NiMH batteries are used for battery operation.

Press the **ENTER** key to view the current setting. If the value displayed is acceptable, press the **ENTER** key. Otherwise, press the **▲** or **▼** keys to select a new value, and then press the **ENTER** key to save it.

Allowable values are: 0, 1, or 2.

- 0 = Alkaline batteries - battery charging is DISABLED
- 1 = NiCad or NiMH batteries - battery charging is ENABLED
- 2 = Battery charging is ENABLED and FORCED ON. This selection forces battery charging for NiCad or NiMH batteries that are discharged.



WARNING! Selecting 1 or 2, enables battery charging. DO NOT select 1 or 2, when using Alkaline batteries.

SLEEP: (Sleep Mode)

The Sleep Mode feature conserves battery power when the indicator remains unused for a selected period of time (approximately 1 to 9 minutes). When enabled, the display will show *SLEEP*. The Sleep Mode feature requires the indicator to remain inactive and at a stable zero weight to activate. Weight placed on the scale will activate the indicator and return it to the weight mode.

Press the **ENTER** key to view the current setting. If the value displayed is acceptable, press the **ENTER** key. Otherwise, press the **▲** or **▼** keys to select a new value, and then press the **ENTER** key to save it.

Allowable values are 0 through 9.

NOTE: Select 0 (zero) to disable the Sleep Mode

ASH: (Automatic Shutoff)

The Automatic Shutoff feature will automatically turn the indicator off (when it is not in use) after a selected period of time (approximately 1 to 9 minutes) to prolong battery life. To turn the indicator back on you must press the **ON/OFF** key.

Press the **ENTER** key to view the current setting. If the value displayed is acceptable, press the **ENTER** key. Otherwise, press the **▲** or **▼** keys to select a new value, and then press the **ENTER** key to save it.

Allowable values are 0 through 9.

NOTE: Select 0 (zero) to disable Automatic Shutoff.

Setup and Calibration Is Completed

The setup and calibration process have been completed. The indicator will reset and then display weight. Press the **ON/OFF** key to turn the 750 off. Re-install the end cap and secure with the two (2) screws removed earlier. The 750 is now ready for normal operation.

SETUP REVIEW

The 750 Weight Indicator allows several operational parameters to be reviewed and changed as necessary without having to enter the setup mode.

To Enter Setup Review:

With the indicator off:

1. Press and hold the **ENTER** key, and then press the **ON/OFF** key.
2. The indicator will perform a lamp test (turn on all segments of display), display the model number and software revision, and then display *PUD* prompt.
3. With the display showing *PUD*, release the **ENTER** key.
4. Refer to instructions listed in Setup and Calibration section for information on how to change parameters.

Parameters in Setup Review will be processed in the following sequence:

<i>PUD</i>	Enable or Disable automatic reset of weight display to zero on power up
<i>bAud</i>	Select baud rate for serial output
<i>n iCad</i>	Select to use Ni-Cad, NiMH or Alkaline batteries and type of charging
<i>SLEEP</i>	Disable or select number of minutes of inactivity at zero for sleep mode
<i>ASH</i>	Disable or select number of minutes for automatic shutoff timer

EVENT COUNTER

The 750 Weight Indicator has been designed with an Event Counter type of security seal. When selected, the 750 will display two 3-digit numbers representing the Calibration and Configuration counters.

Calibration Counter

The calibration counter is incremented when a value in the calibration part of setup is changed (*USA*, *int*, *UnS*, *dPP*, *CAP*, *FLt*, *F*, *br*, *Sr*, *CAL*, *SEtGC*, *CALGC*, *DPGC*). The counter is only incremented 1 time even if more than one parameter is changed each time through setup.

Configuration Counter

The configuration counter is incremented when a value in the configuration part of setup is changed (*HoLd*, *bRnd*, *tRr*, *PUD*, *bAUD*, *n iCAD*, *SLEEP*, *ASH*). The counter is only incremented 1 time even if more than one parameter is changed each time through setup.

To Review the Event Counter:

With the indicator off:

1. Press and hold the **PRINT** key, and then press the **ON/OFF** key.
2. The indicator will perform a lamp test (turn on all segments of display), display the model number and software revision, and then change to show *CAL CH* (Calibration Check) for two (2) seconds followed by two 3-digit numbers.
 - The left number represents the setup Configuration counter.
 - The right number represents the Calibration counter.

NOTE: Release the **PRINT** key when as soon as the display changes to *CAL CH*.

3. To return to the normal operation, press the **PRINT** key.
4. Otherwise, press the **ON/OFF** key to turn off the indicator.

WEIGHT ON DEMAND FORMAT

Weight on Demand

If the 750 Weight Indicator is connected to a computer for transmission of weight data to a PC-based EMR (electronic medical record) software program, it will transmit a single set of weight data each time the computer sends a weight request "ENQ" (hex 05). This is known as Weight-On-Demand.

The host device (computer) sends:

ENQ (hex 05)

The 750 will respond:

Weight, BMI, Height

Where:

Weight: xxx.xuu G
BMI: xx.x
Height: x' xx.x"

SERIAL PRINT COMMANDS

The Serial port on the 750 Weight Indicator is a bi-directional port and can receive and transmit data. It can output to a printer as well as communicate to a computer. Using the serial port, it is possible to control the printing operation of the indicator by transmitting commands to it.

Journal Mode Print Command

The host device (computer) sends:

<LF> P <CR>

The ticket will be printed (or data transmitted) in the following format:

Weight, BMI, Height

Where:

Weight: xxx.xuu G
BMI: xx.x
Height: x' xx.x"



NOTE: If ID or BMI are disabled, the field will be left out.

SERIAL PRINT COMMANDS, CONT.

Recall Data Queue Command

The host device (computer) sends:

<LF> XS <CR>

The 750 will Recall the Data Queue. The data will be transmitted in the following format:

ID, Weight, Units, Mode<cr><lf>

Where:

ID =	xxxxxxxxxx	Up to 11-digit ID number
Weight =	xxxxx.x	Six digits with decimal point
Units =	uu	None, lb, kg, oz, g, st
m =	Mode	G = Gross
cr =	Carriage Return	(hex 0D)
lf =	Line Feed	(hex 0A)

NOTE: Recalling the data queue does not delete the current data. The separate delete command must be sent to clear the queue.

Delete Data Queue Command

The host device (computer) sends:

<LF> XD <CR>

The 750 will Delete the Data Queue.



Serial Print commands operate the same as pressing the **PRINT** key. They allow multiple printings, but will only store the values once until the weight goes below the 1/10 of scale capacity threshold.

ERROR AND STATUS DISPLAYS

Display	Meaning
-Err-	General error, invalid keypad entry was attempted.
-ouF-	Attempting to display a negative number greater than -99,999 or a positive number greater than 999,999
-t r L-	Indicates an attempt to zero a weight outside scale zero range. (See Four Percent Zero Tracking Range Limit).
-UnS-	Motion is present when indicator is attempting to perform one of the following operations: Power Up Zero or Zero Weight Display
CAL lb	Indicates calibration is necessary.
AdErr ErrAL ErrAH	Consult your scale service representative.
OCAP	Scale weight exceeds scale capacity
OFF	Displayed to indicate indicator is turning off.

BEFORE YOU CALL FOR SERVICE

PROBLEM	POSSIBLE SOLUTIONS
Display does not turn on	<p>AC Operation:</p> <ul style="list-style-type: none"> • Is AC power adapter fully inserted into wall receptacle? • Check wall receptacle for proper AC power. Try another electrical appliance in same receptacle, does it work? • Check circuit breaker. • Has there been power failure? <p>Battery operation:</p> <ul style="list-style-type: none"> • Check if batteries are installed and correctly. • Are batteries discharged? <p>If Alkaline, remove old batteries and replace with new ones.</p> <p>If NI-CAD or NiMH, connect the 12 VDC AC power adapter's connector into the jack on the back of the indicator and then plug the power adapter into the proper electrical outlet to operate the indicator and recharge the batteries.</p>
Incorrect weight displayed	Make sure that scale platform isn't touching an adjacent object. Have proper operation procedures been followed?
Indicator will not display weight	Refer to Error and Status Displays section.

CARE AND CLEANING



NOTE: The 750 Weight Indicator contains no user-serviceable parts and maintenance should be limited to an occasional cleaning and battery replacement as required.

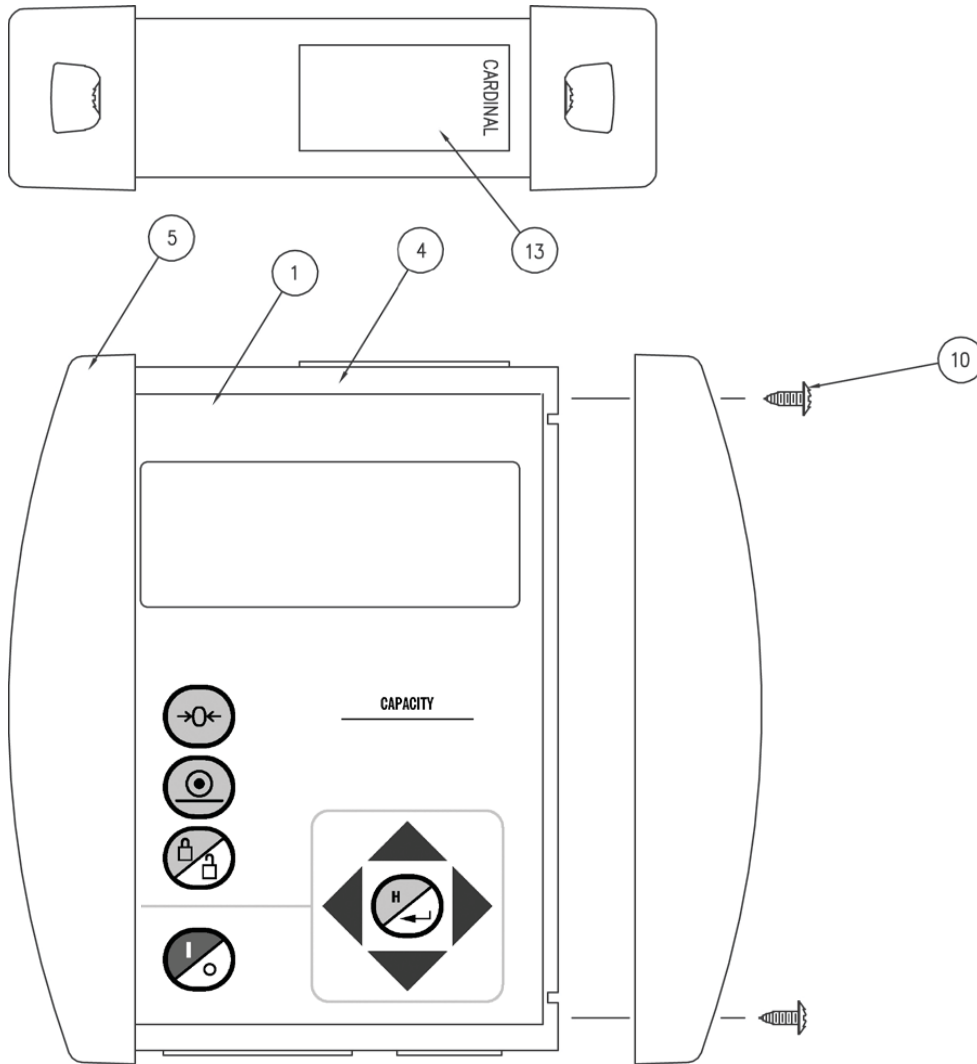
- Do not submerge the indicator in water, pour, or spray water directly on it to clean. The indicator is not waterproof and covering it with water will damage it and void the warranty.
- Always remove power before cleaning.
- Do not use wire brushes, abrasives, or cleaning tools such as steel pads and scrapers, which will scratch the painted surface. Instead, use soft cloths or plastic scouring pads for cleaning.
- When possible, use treated water. Hard water can leave behind deposits. Soft water is much gentler on the painted steel's surface.
- Avoid the use of acetone, thinner or other volatile solvents and abrasive type cleaners for cleaning. If required, a mild solvent such as mineral spirits can be used to remove oil, grease, tars, wax, and similar substances. Use a cloth dampened with mineral spirits and apply only to areas that are contaminated. Follow up the use of this mild solvent with detergent cleaning and rinsing.

PARTS IDENTIFICATION

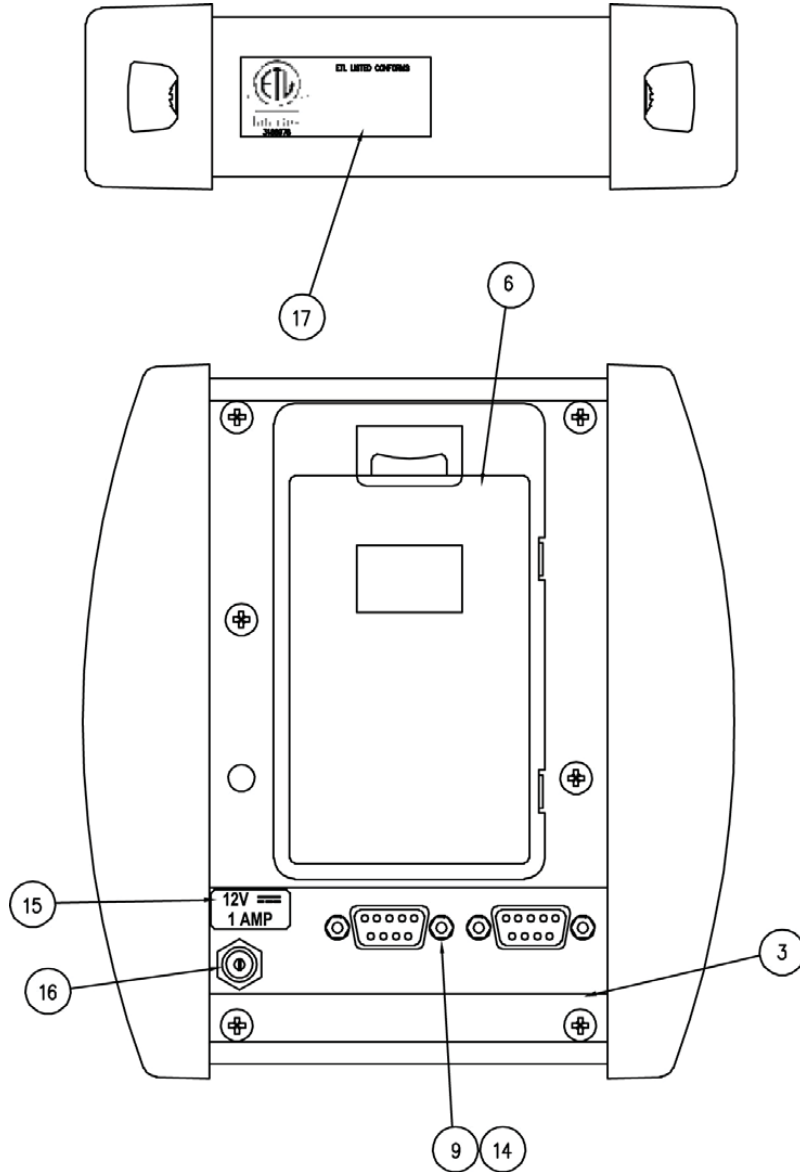
Item	Qty	Part Number	Description
1	1	8555-0548-08	KEYPAD
2	1	8555-D478-0A	PCB ASS'Y 750 CONTROLLER (SMT)
3	1	8555-C473-08	REAR PANEL, 750DS
4	1	8555-C253-08	FRONT PANEL
5	2	8555-C213-08	END CAP
6	1	8555-B257-0A	BATTERY HOLDER
7	2	8555-B254-08	MOUNTING SPACER
8	4	6680-0004	WASHER, #6 LOCK INT. TOOTH
9	2	6610-2000	JACK SOCKET
10	4	6021-6008	SCREW, #6 X .375 TH SHEET METAL (BLACK)
11	4	6021-2069	SCREW, #6X.50 TH SHEET METAL
12	2	6021-0687	SCREW, #6-32X.312 THMS W/THD-LOCK PATCH
13	1	593GR986	SERIAL TAG
14	2	6680-0052	WASHER, #4 LOCK HELICAL
15	1	8555-B263-08	LABEL: POWER
16	AR	6560-0021	LOCTITE #222
17	1	5930-B126-08	LABEL: ETL FOR 180/200/204/750/758C
**	1	6800-1045	OPTIONAL AC ADAPTER 100-240VAC/12VDC @ 1 AMP

** NOT SHOWN

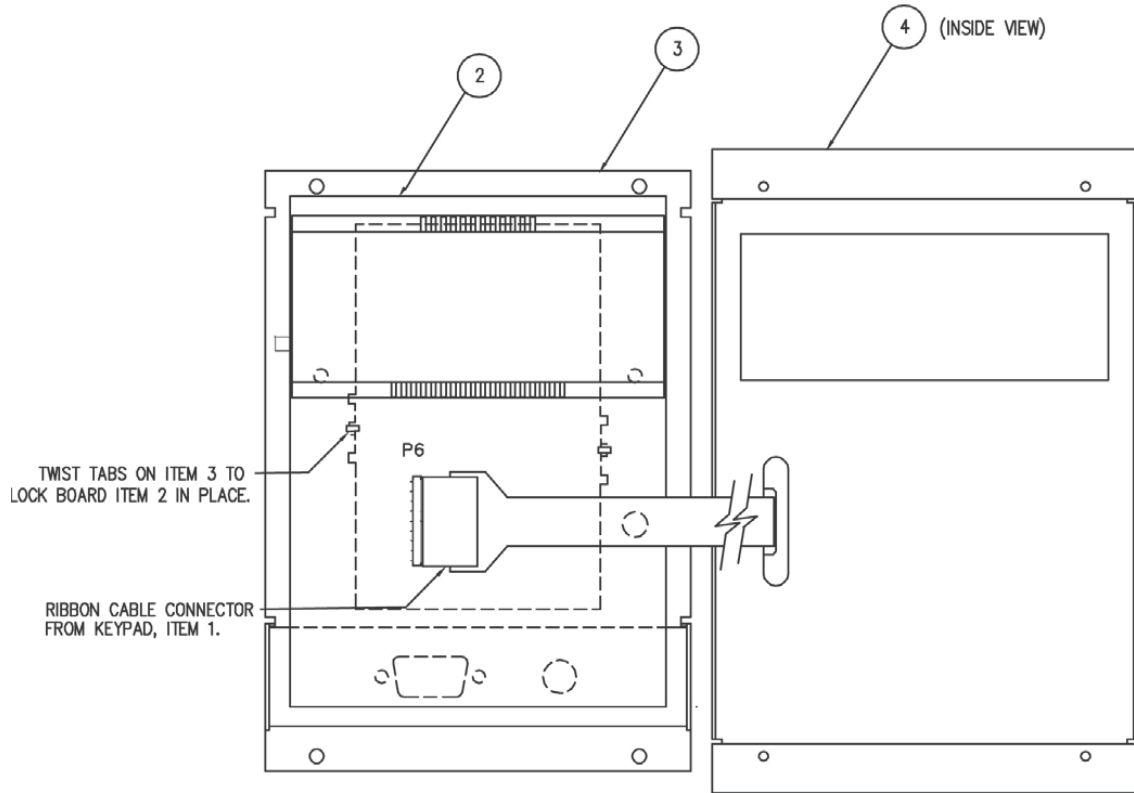
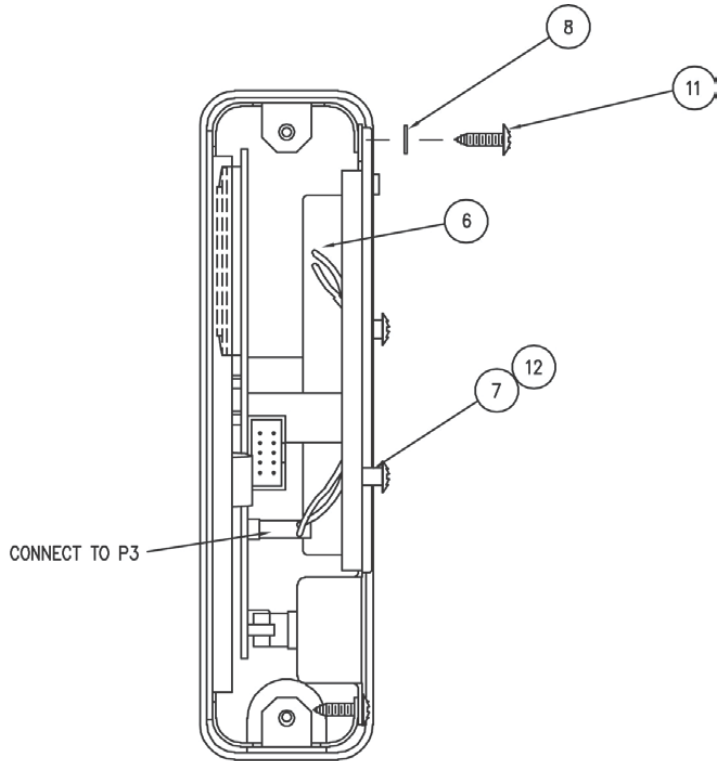
PARTS IDENTIFICATION, CONT.



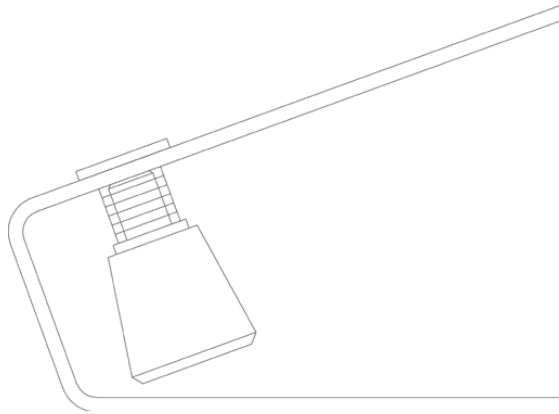
PARTS IDENTIFICATION, CONT.



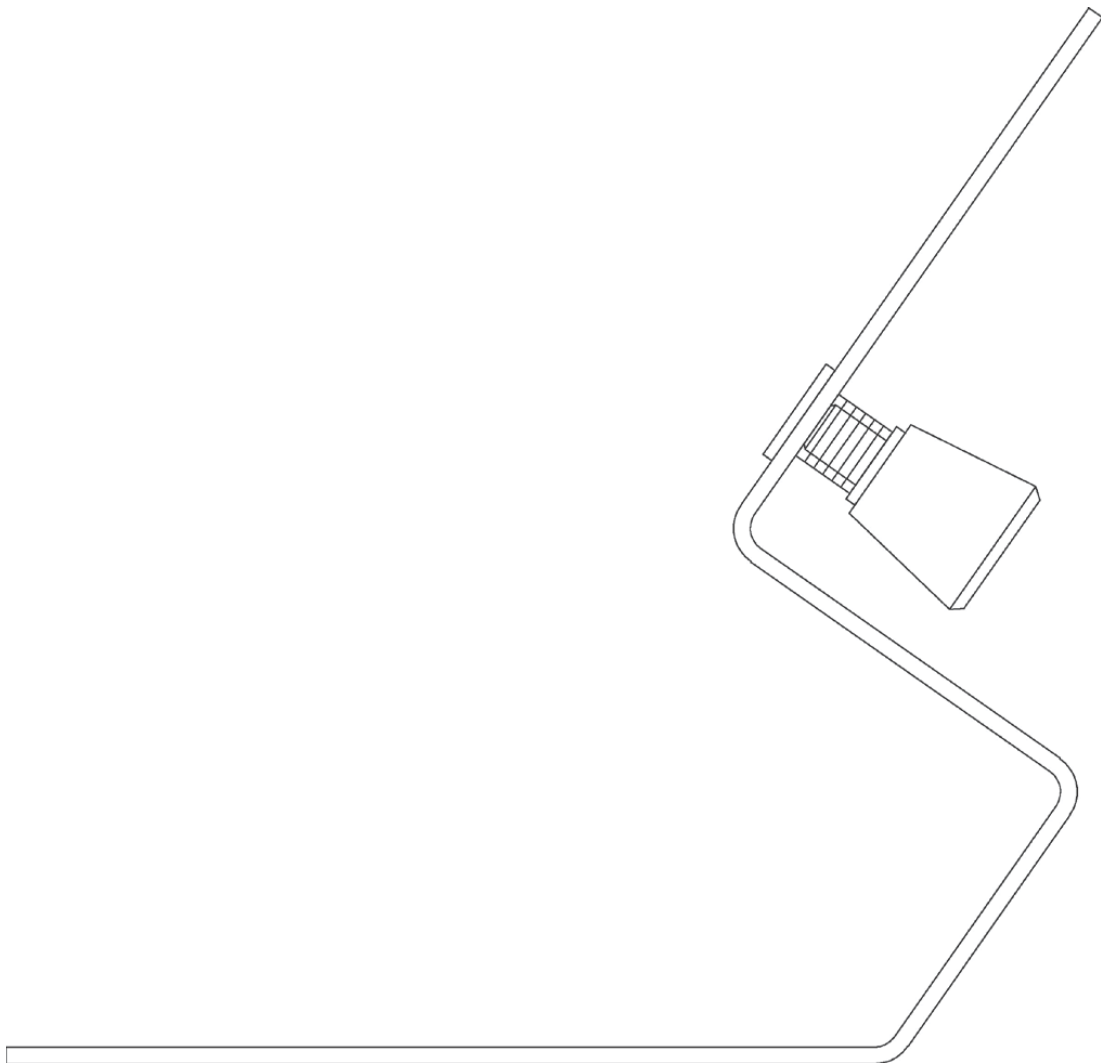
PARTS IDENTIFICATION, CONT.



APPENDIX A
INDICATOR MOUNTING BRACKETS

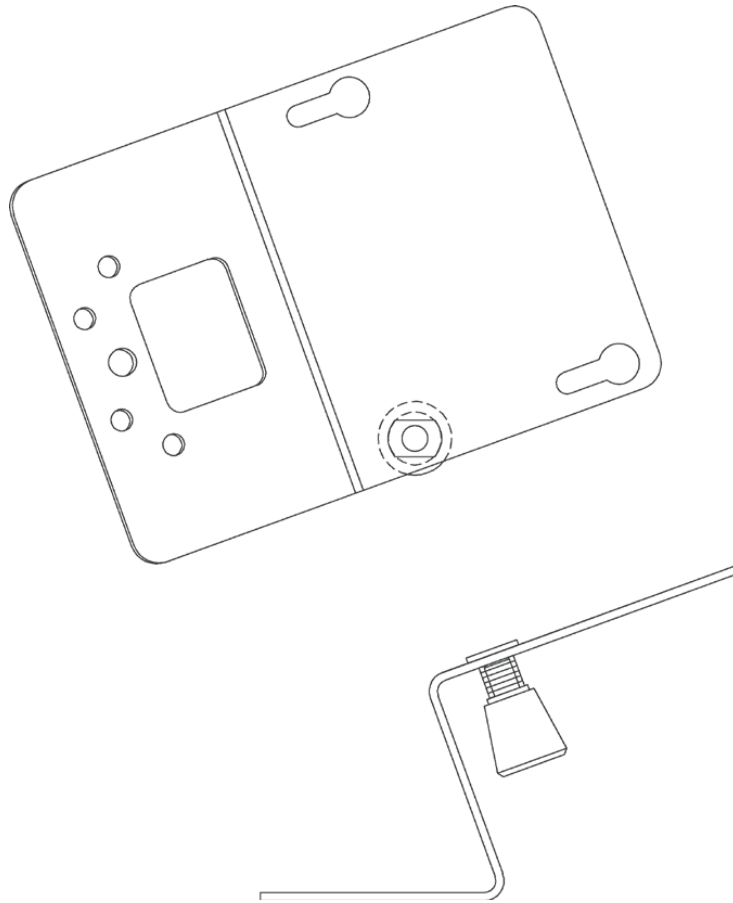


Mounting Bracket Assembly 0033-B438-0A

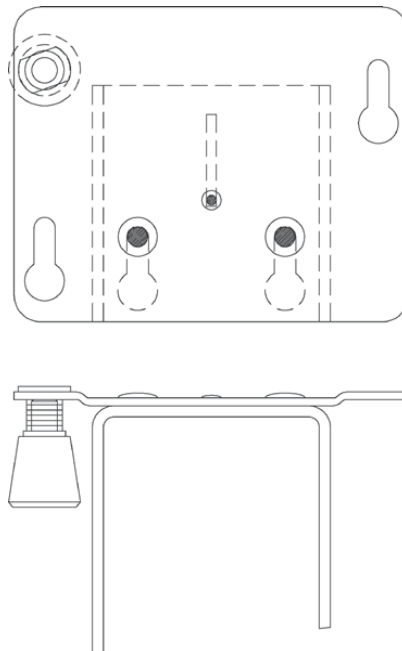


Mounting Bracket Assembly 0033-B439-0A

APPENDIX A, CONT.
INDICATOR MOUNTING BRACKETS

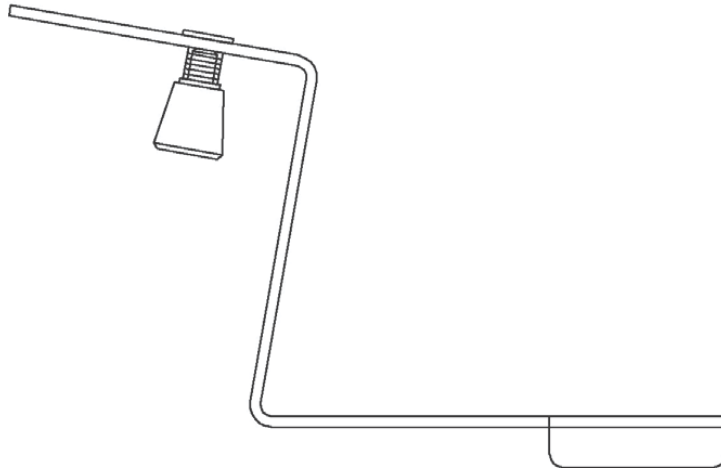
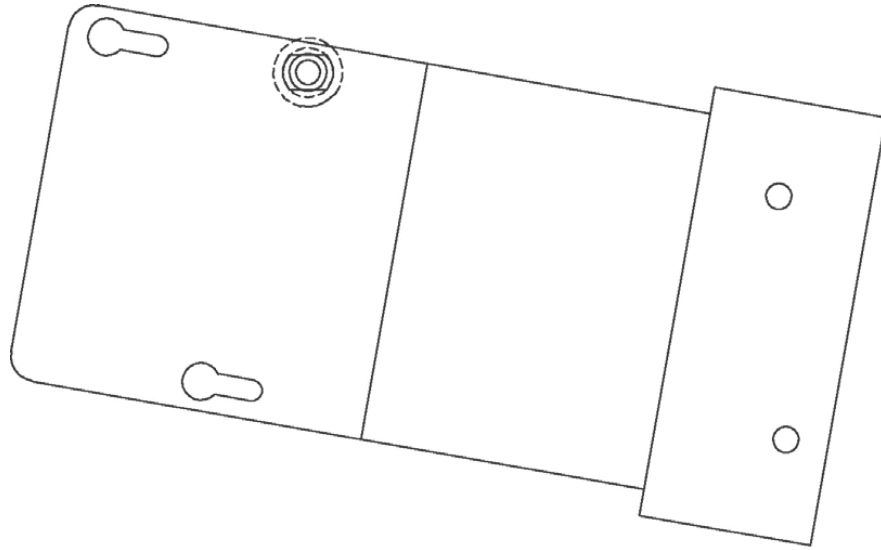


Mounting Bracket Assembly 0044-B315-0A

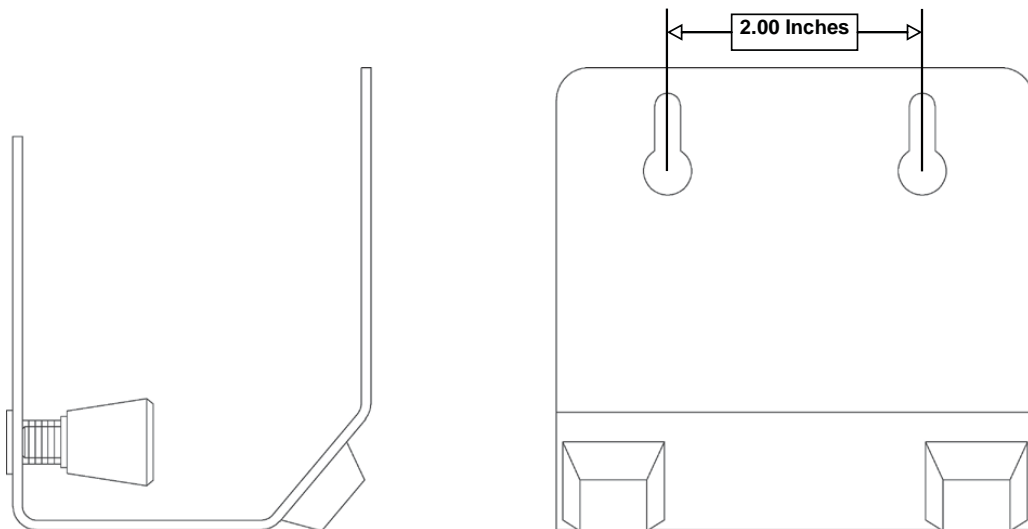


Mounting Bracket Assembly 0046-B516-0A

APPENDIX A, CONT.
INDICATOR MOUNTING BRACKETS



Mounting Bracket Assembly 0049-C039-0A



Desk/Wall Mount Bracket Assembly 0033-B440-0A

STATEMENT OF LIMITED WARRANTY

DETECTO warrants its equipment to be free from defects in material and workmanship as follows: DETECTO warrants to the original purchaser only that it will repair or replace any part of equipment which is defective in material or workmanship for a period of **two (2) years from date of shipment**. Detecto shall be the sole judge of what constitutes a defect.

During the **first ninety (90) days** DETECTO may choose to replace the product at no charge to the buyer upon inspection of the returned item.

After the first ninety (90) days, upon inspection of the returned item, DETECTO will repair or replace it with a remanufactured product. The customer is responsible for paying for the freight both ways.

This warranty does not apply to peripheral equipment not manufactured by DETECTO; this equipment will be covered by certain manufacturer's warranty only.

This warranty does not include replacement of expendable or consumable parts. This does not apply to any item which has deteriorated or damaged due to wear, accident, misuse, abuse, improper line voltage, overloading, theft, lightning, fire, water or acts of God, or due to extended storage or exposure while in purchaser's possession. This warranty does not apply to maintenance service. Purchased parts will have a ninety (90) day repair or replacement warranty only.

DETECTO may require the product to be returned to the factory; item(s) must be properly packed and shipping charges prepaid. A return authorization number must be obtained for all returns and marked on the outside of all returned packages. DETECTO accepts no responsibility for items lost or damaged in transit.

Conditions Which Void Limited Warranty

This warranty shall not apply to equipment which:

- A.) Has been tampered with, defaced, mishandled or has had repairs and modifications not authorized by DETECTO.
- B.) Has had serial number altered, defaced, or removed.
- C.) Has not been properly grounded according to Detecto's recommended procedure.

Freight Carrier Damage

Claims for equipment damaged in transit must be referred to the freight carrier in accordance with freight carrier regulations.

This warranty sets forth the extent of our liability for breach of any warranty or deficiency in connection with the sale or use of the product. DETECTO will not be liable for consequential damages of any nature, including but not limited to, loss of profit, delays or expenses, whether based on tort or contract. Detecto reserves the right to incorporate improvements in material and design without notice and is not obligated to incorporate improvements in equipment previously manufactured.

The foregoing is in lieu of all other warranties, express or implied including any warranty that extends beyond the description of the product including any warranty of merchantability or fitness for a particular purpose. This warranty covers only those DETECTO products installed in the forty-eight (48) contiguous continental United States.



Ph. (800) 641-2008
E-mail: detecto@cardet.com
102 E. Daugherty
Webb City, MO 64870

04/22/2024
Printed in USA
D268-WARRANTY-DET-B



DETECTO
102 E. Daugherty, Webb City, MO 64870 USA
Ph: 417-673-4631 or 1-800-641-2008
Fax: 417-673-2153
www.Detecto.com
Technical Support: 1-866-254-8261
E-mail: tech@cardet.com

Printed in USA
8555-M483-O1 Rev C 02/20