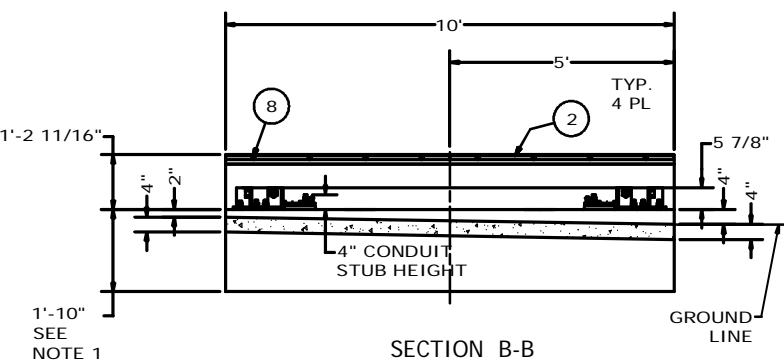
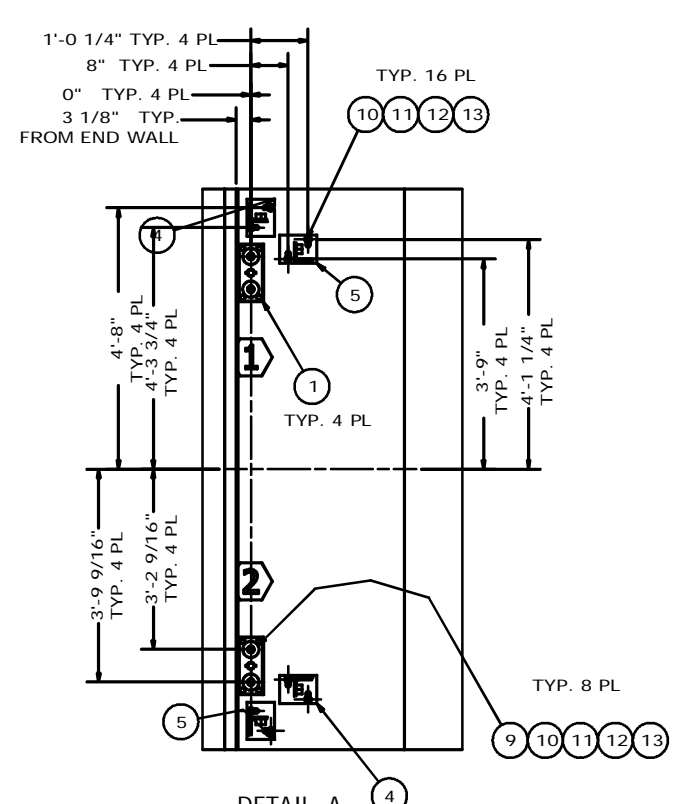
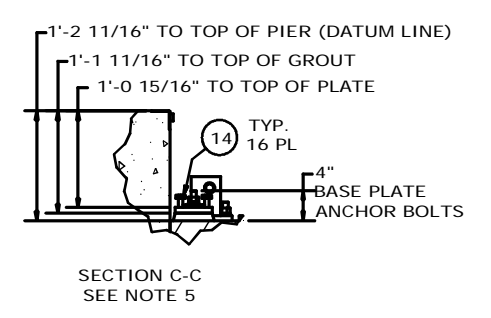
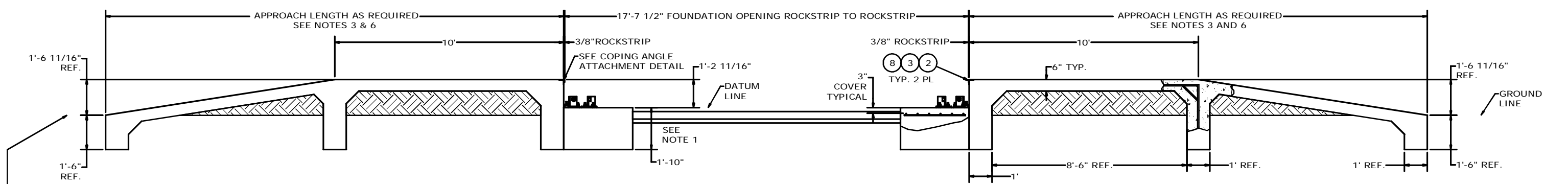
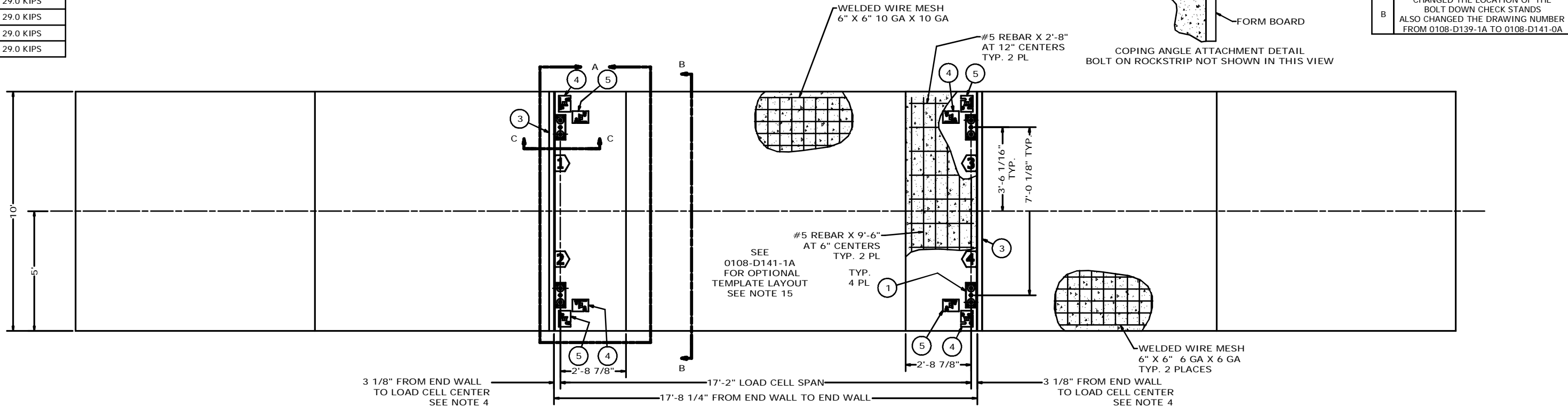
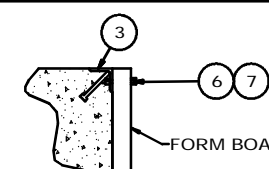


PIER LOADING AT 25 TON CLC	
LOAD CE	LOADING
1	29.0 KIPS
2	29.0 KIPS
3	29.0 KIPS
4	29.0 KIPS

FOR REFERENCE ONLY

REVISION HISTORY			
LTR	DESCRIPTION	DATE	BY
A	RELEASE FOR PRODUCTION	8/9/2012	26014 ADB
B	CHANGED THE LOCATION OF THE BOLT DOWN CHECK STANDS ALSO CHANGED THE DRAWING NUMBER FROM 0108-D139-1A TO 0108-D141-0A	12/17/12	26227 ADB



NOTES:

- THE SCALE FOUNDATION AS SHOWN IS SUFFICIENT FOR FIRM SOIL AND GOOD CONCRETE. THE MINIMUM SOIL BEARING SHALL BE 3,000 POUNDS PER SQUARE FOOT AND THE MINIMUM CONCRETE STRENGTH SHALL BE 3,000 POUNDS PER SQUARE INCH AT 28 DAYS. FOR UNUSUAL SOIL CONDITIONS OR DEEP FROST PENETRATION, ALTER THE FOUNDATION AS REQUIRED. THE FOOTING SHALL BE BELOW THE FROST LINE.
- CARDINAL SCALE MFG. CO. SHALL NOT BE RESPONSIBLE FOR THE STABILITY OF THE FOUNDATION.
- THE FOUNDATION CONTRACTOR SHALL CONTACT THE STATE WEIGHT AND MEASURES DIVISION FOR STATE FOUNDATION REQUIREMENTS.
- WORK FROM THE CENTERLINES WHEN ERECTING FORMS AND SETTING BOLTS.
- ADJUST THE LOAD CELL BASE PLATES TO THE PROPER ELEVATION USING LEVELING BOLTS (ITEM 14) AND GROUT IN PLACE. GROUT SHALL BE OF AN APPROVED NON-SHRINKING EPOXY TYPE ONLY. REF. U.S. GROUT CORP., 5-STAR; SIKA CHEMICAL; REXNORD; OR EQUAL.
- ON THE APPROACH END OR ENDS OF A VEHICLE SCALE INSTALLED IN ANY ONE LOCATION FOR A PERIOD OF SIX MONTHS OR MORE, THERE SHALL BE A STRAIGHT APPROACH AS FOLLOWS:
 - AT LEAST THE WIDTH OF THE PLATFORM
 - AT LEAST ONE-HALF THE LENGTH OF THE PLATFORM BUT NOT REQUIRED TO BE MORE THAN 40 FEET
 - NOT LESS THAN 10 FEET OF ANY APPROACH ADJACENT TO THE PLATFORM SHALL BE CONSTRUCTED OF CONCRETE OR SIMILAR DURABLE MATERIAL TO INSURE THAT THIS PORTION REMAINS SMOOTH AND LEVEL AND IN THE SAME PLANE AS THE PLATFORM. HOWEVER, GRATING OF SUFFICIENT STRENGTH TO WITHSTAND ALL LOADS MAY BE INSTALLED IN THIS PORTION; AND FURTHER WHERE DEEMED NECESSARY FOR DRAINAGE PURPOSES, THE REMAINING PORTION OF THE APPROACH MAY SLOPE SLIGHTLY.
- ANCHOR BOLTS SHOULD PROJECT 4" ABOVE DATUM LINE. ANCHORS NEED TO EPOXY INTO CONCRETE TO INSURE PROPER SCALE FUNCTION.
- EXCAVATION AND CONCRETE REQUIRED FOR SCALE FOUNDATION AS SHOWN: MAIN PIERS: 4.5 CU. YDS. EXCAVATION; 6.4 CU. YDS. CONCRETE SLAB FLOOR; 1.1 CU. YDS. EXCAVATION; 1.5 CU. YDS. CONCRETE APPROACHES (10'-0" EACH END); 6.3 CU. YDS. FILL; 3.4 CU. YDS. CONCRETE TRANSMISSION CABLE FROM LOAD CELL TO JUNCTION BOX SHALL BE IN 1 1/2" MINIMUM SIZE CONDUIT AT LEAST 24" FROM THE CLOSEST ELECTRICAL LINE. THEY MAY CROSS AT 90° ONLY.
- CAUTION:** DO NOT WELD ON STRUCTURE WHILE THE LOAD CELLS ARE IN THE SYSTEM.
- REINFORCING ROD AND WELDED WIRE MESH ARE NOT FURNISHED BY CARDINAL SCALE MFG. CO. THE REBAR SHALL CONFORM TO ASTM A615, GRADE 60. THE WELDED WIRE MESH SHALL CONFORM TO ASTM A-185.
- TOP OF PIERS ARE TO BE SMOOTH AND LEVEL WITHIN ±1/8". (ALL PIERS ARE TO BE WITHIN 1/4".)
- ITEMS 10, 11, 12, AND 13 ARE SUPPLIED BY CARDINAL SCALE MFG. CO. ONLY WHEN ORDERED.
- CONDUIT SHOWN IS OPTIONAL AND WILL BE SUPPLIED BY OTHERS. A CONDUIT KIT IS AVAILABLE TO ORDER FROM CARDINAL SCALE. MFG. CO.. SEE PSC-4CK.
- STUD LOCATING TEMPLATES ARE AVAILABLE AS OPTIONAL EQUIPMENT. SEE TEMPLATE LAYOUT (0108-D141-1A) FOR PLACEMENT SPECIFICATIONS.

QTY.	QTY.	QTY.	ITEM	PART/DWG. NUMBER	DESCRIPTION	MATERIAL OR SOURCE	WT. EACH
16	14	6007-0230	LEVELING BOLT	5/8"-11 X 3"		0.5	
24	13	BY OTHERS	HEX NUT	3/4"-10 UNC		0.14	
24	12	BY OTHERS	LOCK WASHER	3/4" HELICAL		0.05	
24	11	BY OTHERS	3/4" FLAT WASHER			.12	
24	10	BY OTHERS	HEX BOLT	3/4"-10UNC-2A X 10"		1.3	
8	9	0502-B201-08	CHECKERED WASHER	CHCK PL 3 1/2" X 3 1/2" X 3/8"		1.4	
16	8	6021-0995	SCW FLAT-HEAD SOCKET CAP	7/16-14X1.0 Z/P			
8	7	6013-0065	HEX NUT	3/8-16 UNC-2B		.01	
8	6	6007-0050	HEX HEAD BOLT	3/8-16UNC-2A X 1 1/2"		.06	
4	5	0108-C100-1A	BOLT DOWN CHECK STAND			14.7	
4	4	0108-C100-0A	BOLT DOWN CHECK STAND			14.7	
2	3	0108-C103-0A	COPING ANGLE - BOLT ON RS			18.9	
4	2	0108-B104-08	ROCK STRIP - BOLT ON			6.2	
4	1	0108-B069-0A	BASE PLATE AND PINS, CBC50K	SEE NOTE 5		9.6	

UNLESS OTHERWISE SPECIFIED TOLERANCE ON DIMENSIONS ARE:

ANGLES	± 1/2"
INTEGERS/FRACTIONS	± 1/16 IN.
DECIMALS (.X)	± .03 IN.
DECIMALS (.XX)	± .01 IN.
DECIMALS (.XXX)	± .005 IN.

NOTE: WHOLE NUMBERS MUST BE WRITTEN XX.000 TO INVOKE DECIMAL TOLERANCES.

THIS DRAWING IS THE PROPERTY OF THE CARDINAL SCALE MFG. CO. AND SHALL NOT BE USED NOR REPRODUCED EITHER WHOLLY OR IN PART EXCEPT WITH WRITTEN AUTHORIZATION. ALL RIGHTS OF DESIGN OR INVENTION ARE RESERVED.

Cardinal
Cardinal Scale Manufacturing Co.
CARDINAL DETECTO FULLER WEIGHING SYSTEMS

TITLE: FOUNDATION PLAN - EMBEDDED
(17'-6" X 10'-0" : 25 TON CAPACITY 25 TON CLC)

SCALE: NTS
DR: ADB
CH: ADB
DATE: 8/10/2012

DWG. NO: 0108-D139-0A
SHEET: 1
REV: B